

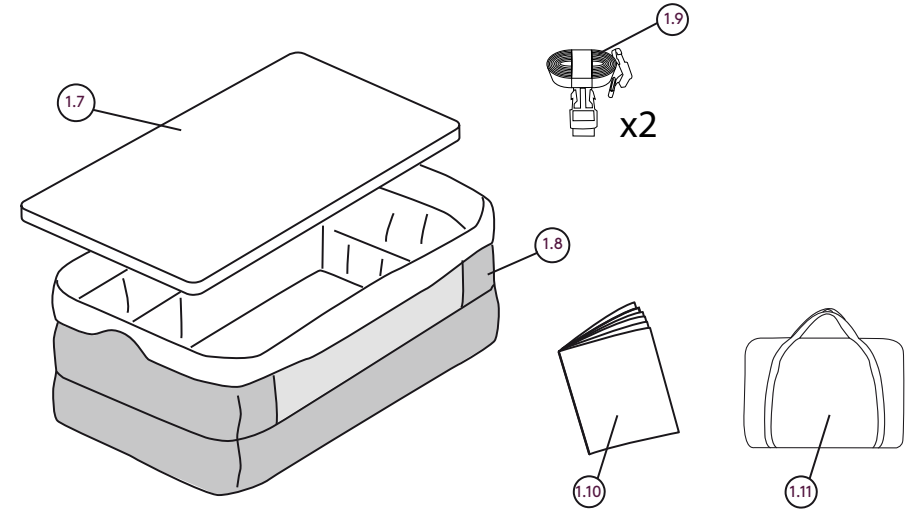
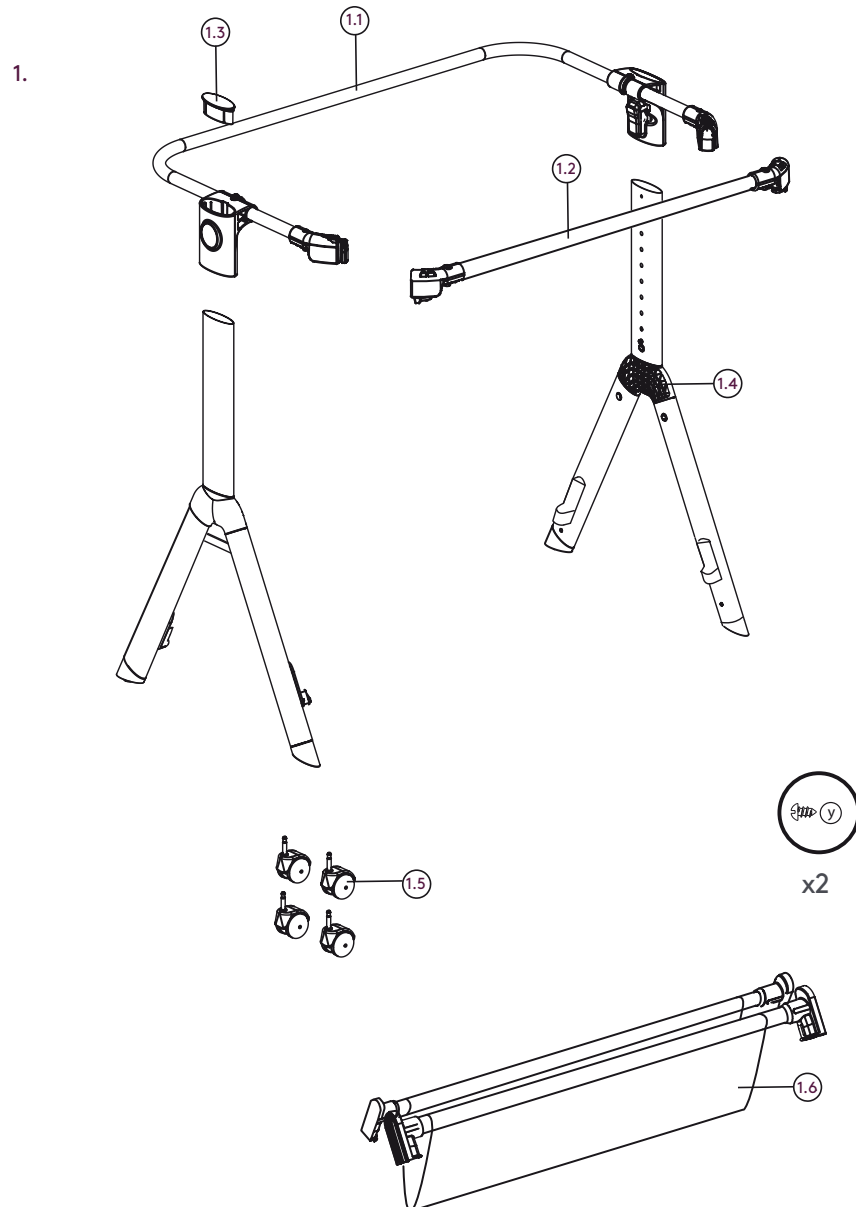
EST.
1877

Voyager

Co-Sleeper

Silver Cross[®]

IMPORTANT – READ THE INSTRUCTIONS CAREFULLY BEFORE USE AND KEEP FOR FUTURE REFERENCE

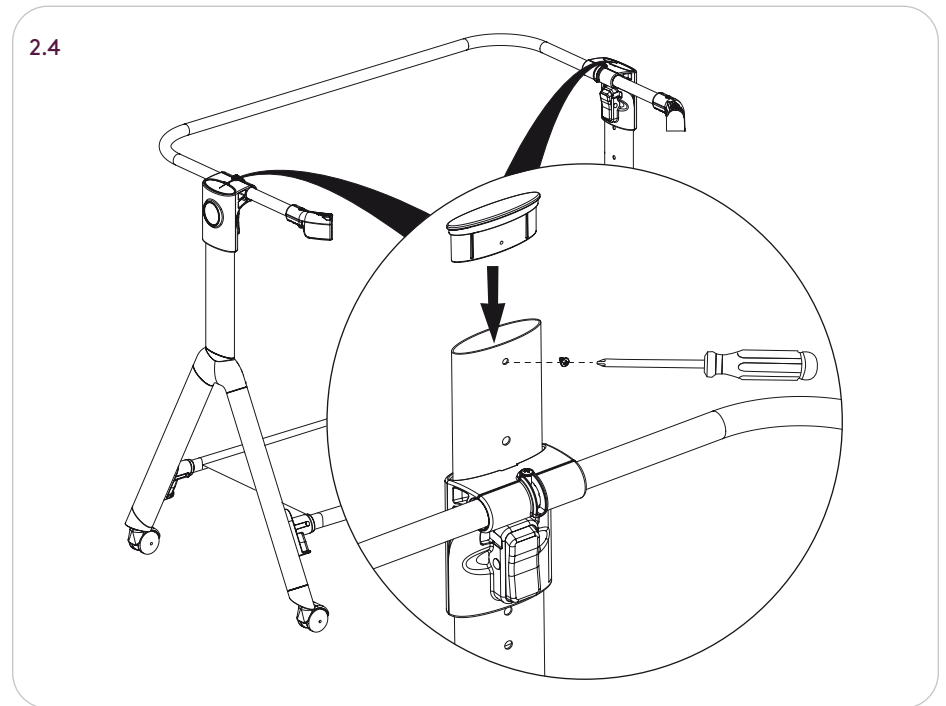
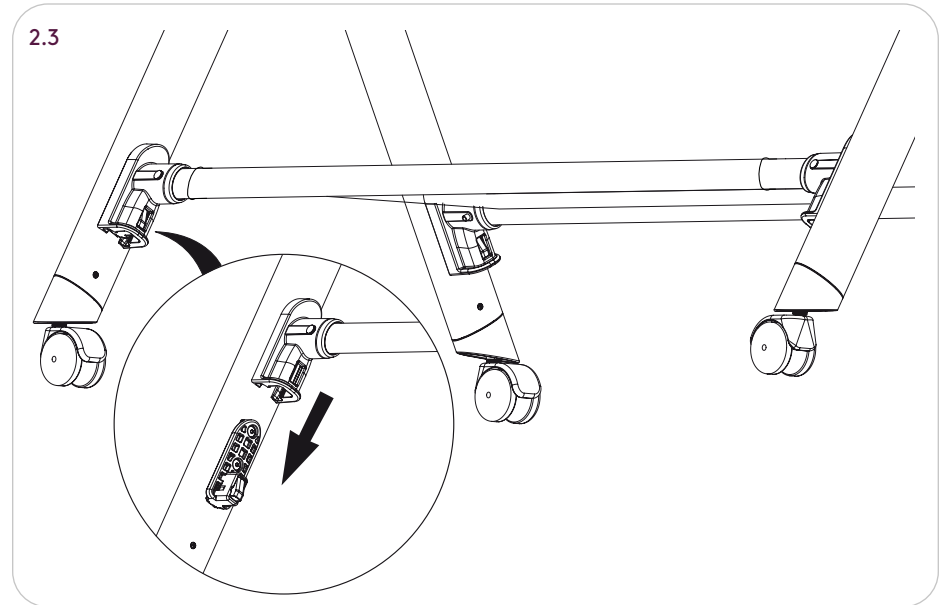
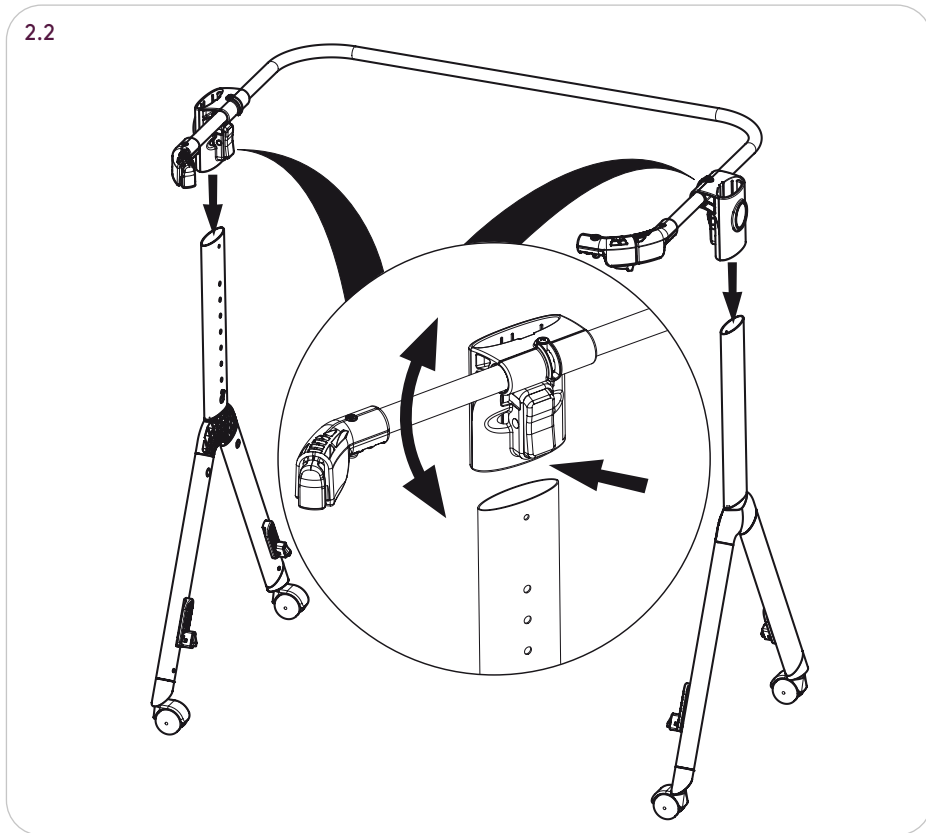
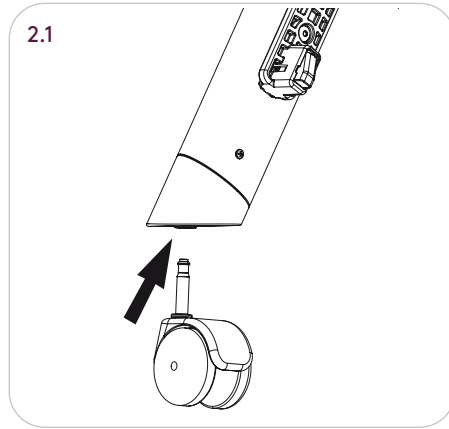


Contents

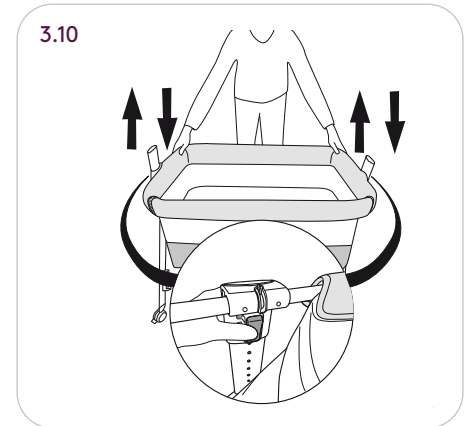
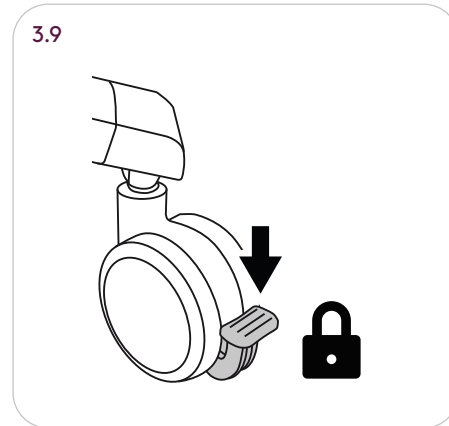
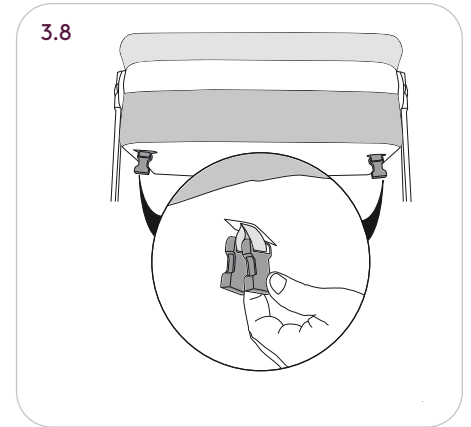
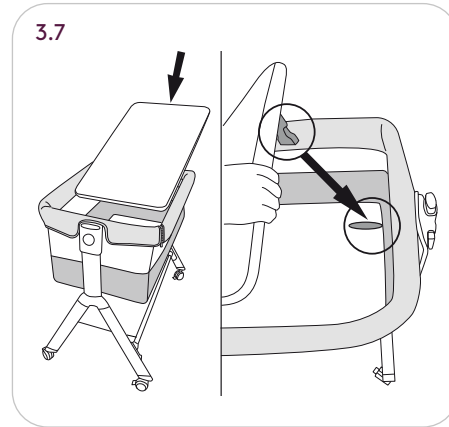
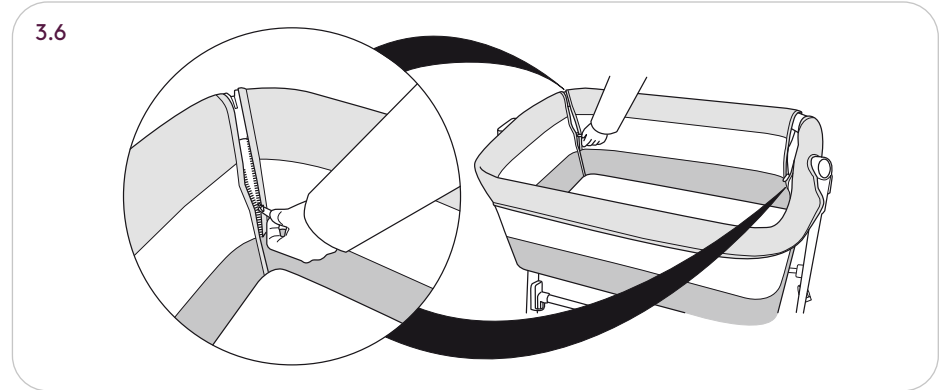
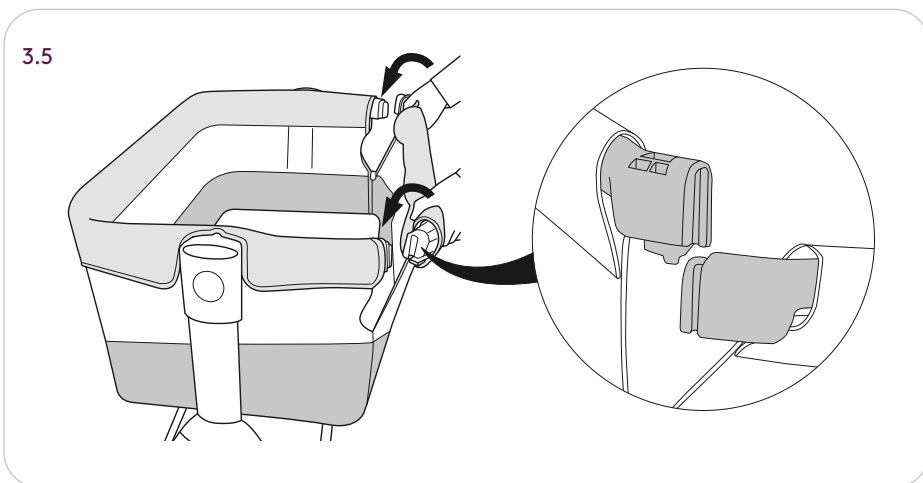
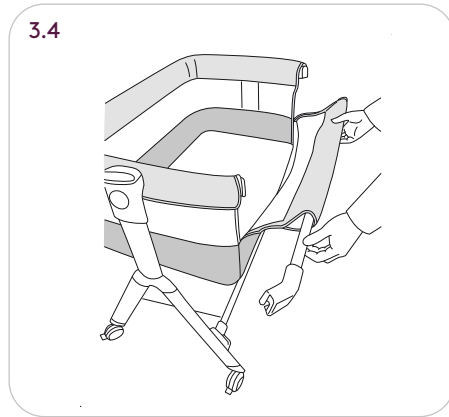
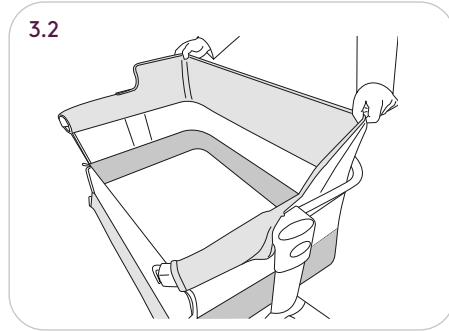
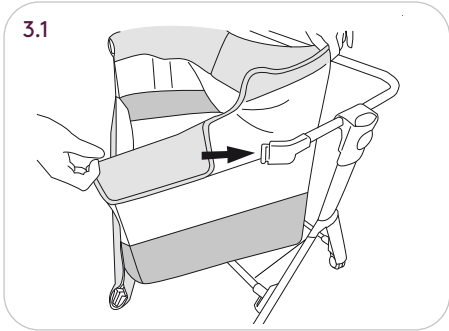
First check all your parts have been supplied.
Your Voyager Co-Sleeper includes:

- | | | | |
|-----|--------------------------|------|--------------------|
| 1.1 | Fixed Rail | 1.7 | Mattress |
| 1.2 | Front Rail | 1.8 | Cot Fabrics |
| 1.3 | Leg Cap x2 (with screws) | 1.9 | Tether Straps x2 |
| 1.4 | Legs x2 | 1.10 | Instruction Manual |
| 1.5 | Castors x4 | 1.11 | Storage Bag |
| 1.6 | Support Tubes and Tray | | |

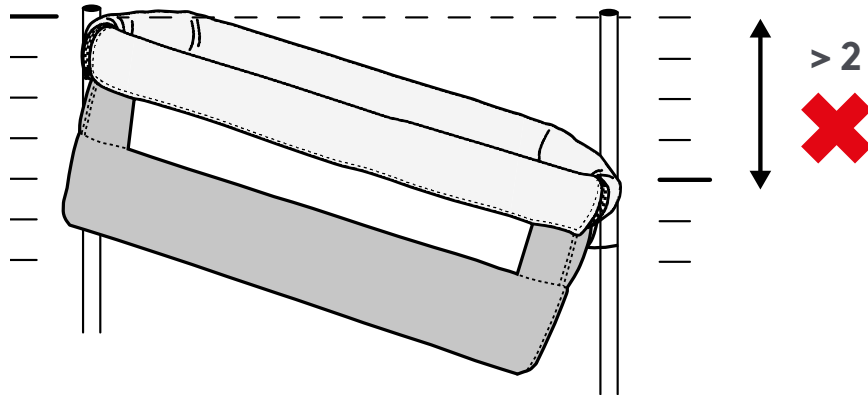
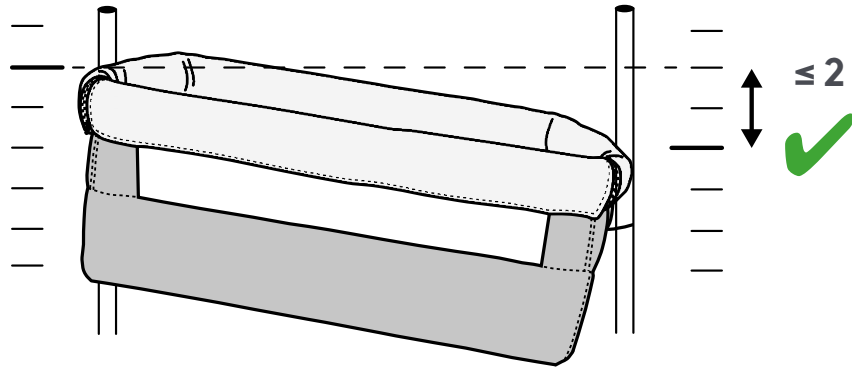
FRAME ASSEMBLY



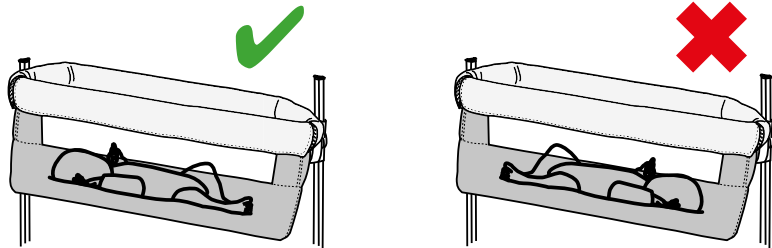
CRADLE MODE



3.11

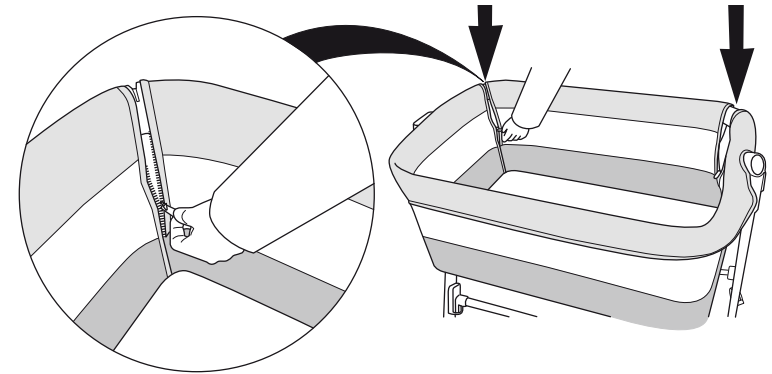


3.12

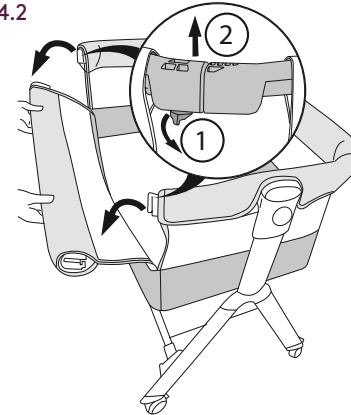


BEDSIDE MODE

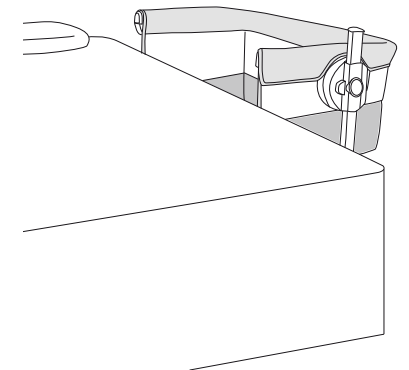
4.1



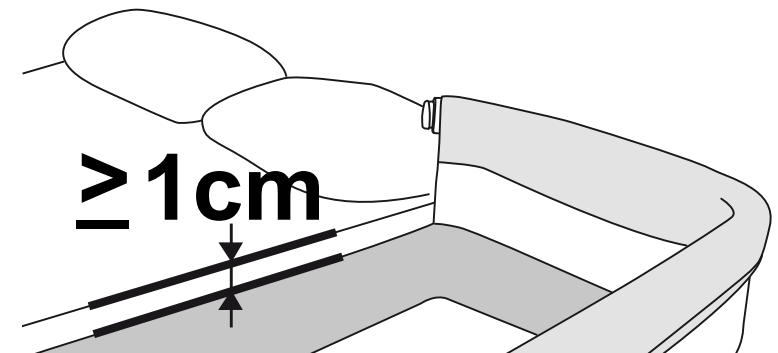
4.2

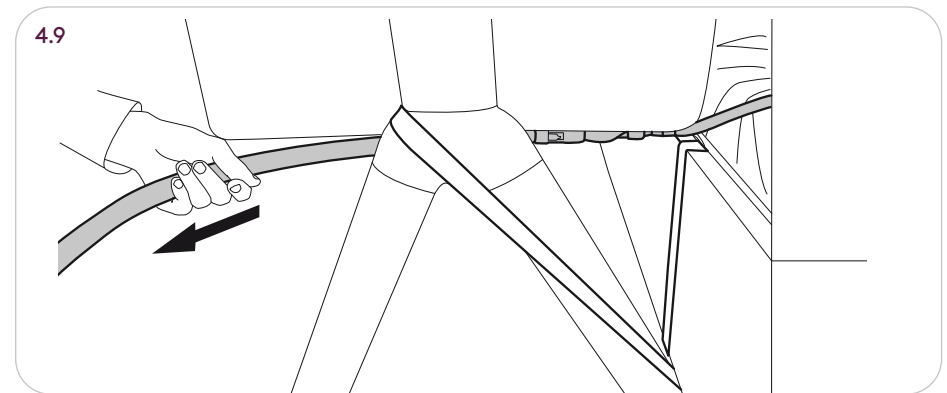
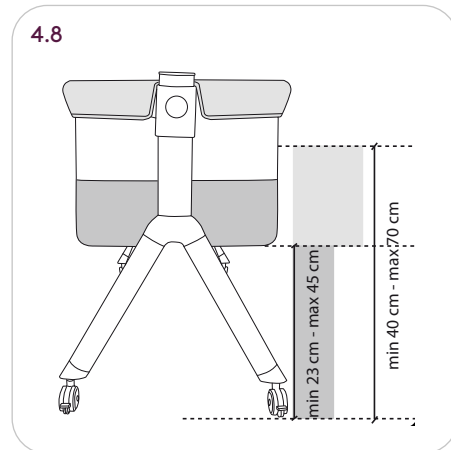
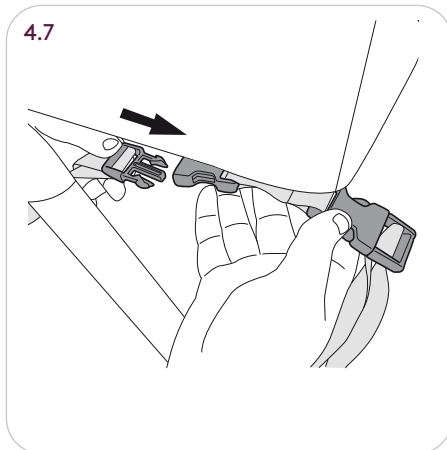
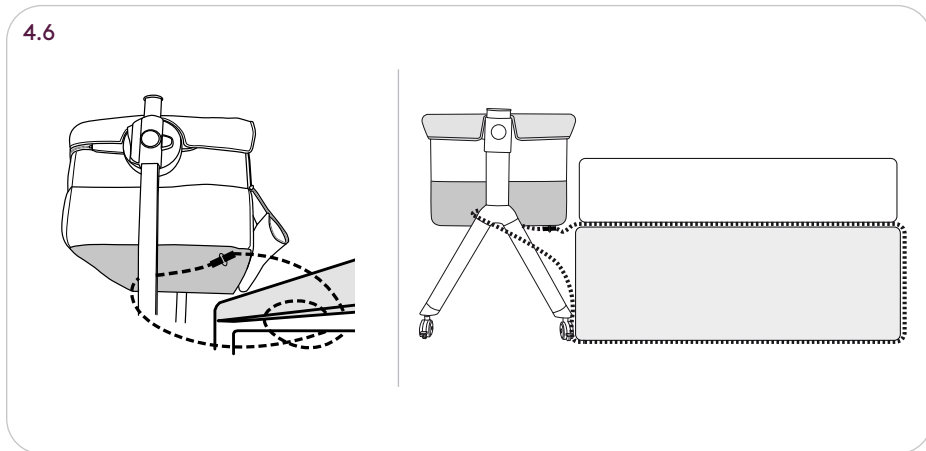
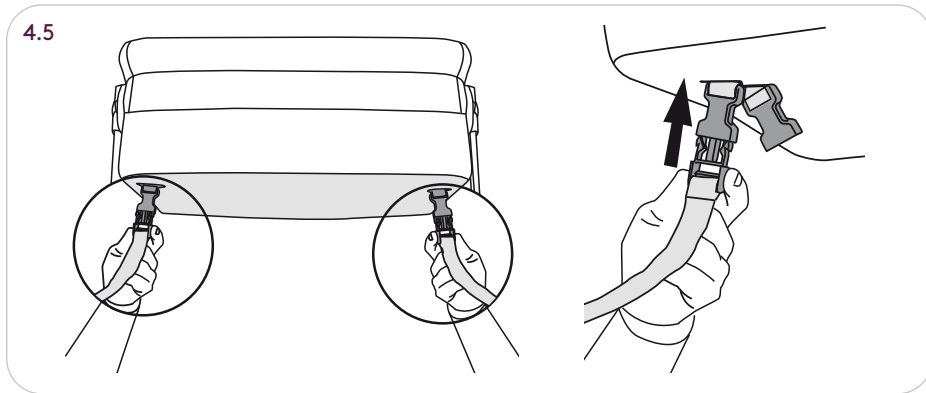


4.3

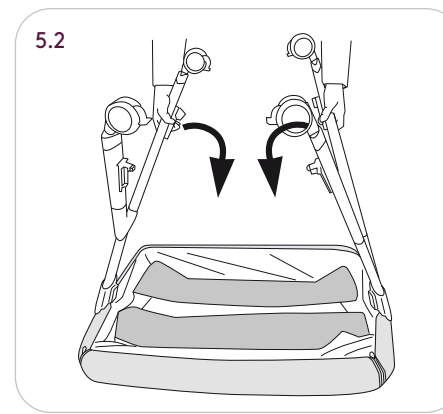
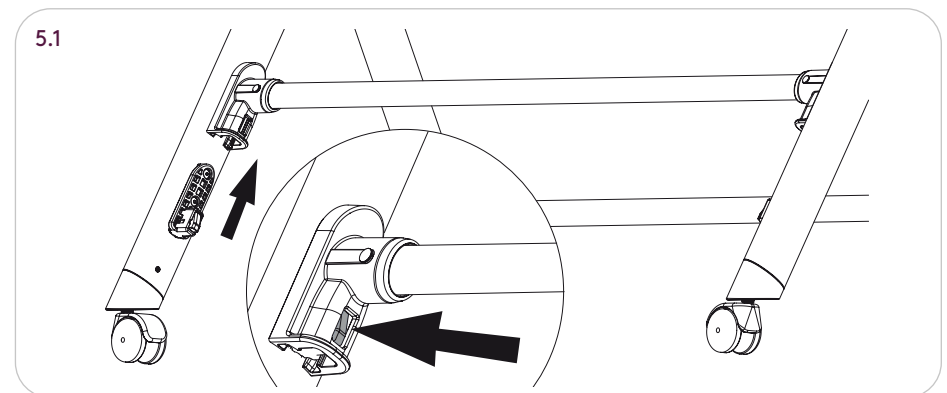


4.4





FOLDING



WARNING:

DO NOT USE THIS PRODUCT WITHOUT READING THE INSTRUCTION FOR USE. FIRST FOLLOW THE INSTRUCTIONS VERY CAREFULLY FOR USE. INCORRECT ASSEMBLY OF THE PARTS OR IMPROPER USE OF THE CRADLE MAY PUT YOUR BABY'S SAFETY AT SERIOUS RISK.

THE PRODUCT CAN BE USED AS A TRADITIONAL CRADLE (CRADLE MODE) OR SECURED TO AN ADULT BED WITH THE SIDE OPEN (BEDSIDE MODE).

STOP USING THE PRODUCT AS SOON AS THE CHILD CAN SIT, KNEEL OR PULL ITSELF UP.

ALWAYS PLACE THE CRADLE ON A FLAT, HORIZONTAL FLOOR.

YOUNG CHILDREN SHOULD NOT BE ALLOWED TO PLAY UNSUPERVISED IN THE VICINITY OF THE CRADLE.

APPLY THE BRAKES ON THE CRADLE WHENEVER IT IS IN USE.

ALWAYS CHECK THAT BABY'S HEAD IS HIGHER THAN HIS FEET.

DO NOT USE CRADLE IF ANY PARTS ARE MISSING, DAMAGED, OR BROKEN. CONTACT SILVER CROSS FOR REPLACEMENT PARTS AND INSTRUCTIONAL LITERATURE IF NEEDED. DO NOT SUBSTITUTE PARTS.

ALL THE ASSEMBLY PARTS MUST ALWAYS BE TIGHTENED PROPERLY. MAKE SURE THAT NONE OF THE SCREWS IS LOOSE

AS PART OF THE BABY'S BODY OR CLOTHING (FOR EXAMPLE LACES, NECKLACES, RIBBONS FOR DUMMIES, ETC.) COULD GET CAUGHT ON IT AND THIS COULD LEAD TO THE RISK OF STRANGULATION. NEVER USE THE BODY OF THE CRADLE WITHOUT THE FRAME.

BE AWARE OF THE RISK OF BURNING CIGARETTES, OPEN FIRES AND OTHER SOURCES OF STRONG HEAT, SUCH AS ELECTRIC BAR FIRES, GAS FIRES, ETC. IN THE NEAR VICINITY OF THE CRADLE.

ONLY USE THE MATTRESS SOLD WITH THIS CRIB, DO NOT ADD A SECOND MATTRESS ON THIS ONE, SUFFOCATION HAZARDS.

DO NOT USE MORE THAN ONE MATTRESS ON THE PRODUCT. MAXIMUM THICKNESS 24MM. THE THICKNESS OF THE MATTRESS USED MUST BE SUCH THAT THE INSIDE VERTICAL HEIGHT (THE DISTANCE FROM THE TOP OF THE MATTRESS TO THE TOP OF CRADLE SIDES) IS AT LEAST 220 MM.

DO NOT PLACE THE PRODUCT CLOSE TO ANOTHER PRODUCT, WHICH COULD PRESENT A DANGER OF SUFFOCATION OR STRANGULATION, E.G. STRINGS, BLIND/CURTAIN CORDS, ETC. HANGING CRADLES CAN BE HAZARDOUS FOR OTHER CHILDREN. OTHER CHILDREN MAY PLACE THE BABY INSIDE THE CRADLE AT RISK (FOR EXAMPLE THEY MAY ROCK THE CRADLE

EXCESSIVELY). POSITION THE CRADLE SO THAT THERE IS NO RISK OF IT KNOCKING AGAINST SOMETHING WHEN IT IS ROCKING (E.G. THERE MUST BE NO RISK OF BABY KNOCKING AGAINST THE FRAME OF THE CRADLE OR OF THE CRADLE KNOCKING AGAINST OTHER OBJECTS SUCH AS FURNITURE OR WALLS).

NEVER USE THE CRADLE FOR MORE THAN ONE BABY AT A TIME. THE CRADLE OPENING, ADJUSTMENT, SECURING AND POSITIONING OPERATIONS MUST BE PERFORMED BY AN ADULT. DO NOT PERFORM THE CRADLE OPENING, ADJUSTMENT SECURING AND POSITIONING OPERATIONS WITH BABY INSIDE THE CRADLE. ONLY USE ORIGINAL SPARE PARTS. ONLY USE ORIGINAL ACCESSORIES.

DO NOT LEAVE ANY OBJECTS IN THE CRADLE THAT REDUCE ITS DEPTH. DO NOT LEAVE ANY OBJECTS WITH CORDS INSIDE THE CRADLE AS THEY COULD LEAD TO A RISK OF SUFFOCATION OR STRANGULATION.

PLACING ADDITIONAL ITEMS IN THE PRODUCT MAY CAUSE SUFFOCATION.

ALWAYS LOCK THE CASTORS WITH THE BRAKES WHEN BABY IS INSIDE THE CRADLE.

THE CRIB SHOULD BE LOCKED IN THE FIXED POSITION WHEN THE CHILD IS LEFT UNATTENDED.

BEDSIDE MODE

THE CRADLE MUST BE USED IN THE BEDSIDE MODE ONLY AFTER IT HAS BEEN FIRMLY SECURED TO AN ADULT BED.

IN THE BEDSIDE MODE, THE SIDE OF THE CRADLE MUST ALWAYS ADHERE TO THE MATTRESS.

DO NOT USE THE BED ATTACHMENT SYSTEM OTHER THAN THAT SUPPLIED WITH THE PRODUCT.

USE ONLY THE CRADLE ATTACHMENT SYSTEM PROVIDED BY THE MANUFACTURER.

CHECK THE TIGHTNESS OF THE SECURING SYSTEM BEFORE EACH USE BY TRYING TO PULL THE CRADLE AWAY FROM THE ADULT BED.

ALWAYS CHECK THAT THERE IS NEVER ANY SPACE BETWEEN THE LOWER SIDE OF THE CRADLE AND THE MATTRESS OF THE ADULT BED.

TO AVOID HAZARD FROM THE CHILD'S NECK BEING CAUGHT ON THE TOP RAIL ON THE SIDE THAT IS NEXT TO THE ADULT BED, THE TOP RAIL MUST NOT BE HIGHER THAN THE ADULT BED MATTRESS.

TO AVOID THE RISK OF YOUR CHILD BEING STRANGLER, THE ATTACHMENT SYSTEM TO THE ADULT'S BED SHALL ALWAYS BE KEPT AWAY FROM AND OUT OF THE CRIB.

ONLY USE THE CRADLE IN THE BEDSIDE MODE WITH ADULT BEDS AND/OR MATTRESSES WITH STRAIGHT SIDES. DO NOT USE WITH ROUND BEDS OR MATTRESSES. DO NOT USE WITH WATER MATTRESSES. MINIMUM LENGTH OF THE ADULT BED: 90 CM.

ONLY USE THE CRADLE IN THE BEDSIDE MODE IN THE HORIZONTAL POSITION. DO NOT USE THE CRADLE IN AN INCLINED POSITION.

DO NOT USE PILLOWS, COVERS OR OTHER SIMILAR ITEMS TO FILL ANY SPACES THAT THERE MAY BE BETWEEN THE CRADLE AND THE MATTRESS OF THE ADULT BED.

DURING USE MAKE SURE THAT THE SHEETS AND COVERS OF THE ADULT BED DO NOT INVADE THE SPACE OF THE CRADLE. POSITION THE CRADLE AT THE SIDE OF THE ADULT BED. DO NOT POSITION THE CRADLE AT THE FOOT OR AT THE HEAD OF THE ADULT BED. HEIGHT FROM THE FLOOR OF THE ADULT'S BED FOR WHICH THE BED SIDE SLEEPER IS SUITABLE IS MINIMUM 40CM MAXIMUM 70CM.

DANGER! ALWAYS COMPLETELY RAISE THE DROP SIDE WHEN NOT ATTACHED TO THE ADULT'S BED.

DO NOT USE THE BEDSIDE SLEEPER IF ANY PARTS ARE MISSING, DAMAGED, OR BROKEN. CONTACT SILVER CROSS FOR REPLACEMENT PARTS AND INSTRUCTIONAL LITERATURE IF NEEDED. DO NOT SUBSTITUTE PARTS.

TO PREVENT A SUFFOCATION HAZARD FROM ENTRAPMENT, THE BEDSIDE SLEEPER SHALL BE PROPERLY SECURED TO THE ADULT BED USING THE ATTACHMENT SYSTEM.

IF THERE IS ANY GAP BETWEEN THE BEDSIDE SLEEPER AND THE ADULT BED DO NOT USE PRODUCT.

THIS CRIB INTERNAL SIZE 860MM LONG AND 535MM WIDE, FOR USE WITH A MATTRESS SIZE 840MM LONG AND 515MM WIDE, WHICH ARE SPECIFIED TO GUARANTEE THE GAPS BETWEEN THE MATTRESS AND THE SIDES AND ENDS OF THE CRIB WILL NOT EXCEED 30 MM.

THIS PRODUCT COMPLIES WITH EN1130:2019; EN16890:2017.

USE OF BEDSIDE MODE ATTACHMENT SYSTEM

1. Open the zip at the sides of the dropside of the cradle.
2. Press the button to release the dropside and lift to release. Repeat the operation on both sides.
3. In the bedside mode, the cradle must be positioned so that there is never any space between the lower side of the cradle and the mattress of the adult bed. Line the cradle up with the adult bed.
4. Adjust the height of the cradle compared with the adult bed. The top of the side must be at least 1 cm lower than the height of the mattress of the adult bed.
5. Fasten the belts to the buckle located under the cradle. Repeat the operation on both sides.
6. Pass the belts around the frame of the adult bed from the bottom upwards. Repeat the operation on both sides. OR Pass the belts around the base of the bed from bottom upwards. Repeat the operation on both sides.
7. Fasten the buckle so that a loop is formed. Repeat the operation on both sides.
8. Move the cradle as close as possible to the adult bed and pull the belts hard. Repeat the operation on both sides.

MAINTENANCE.

To clean the cradle use warm water and soap. Do not use solvents or derivatives. Dry the metal parts to prevent the formation of rust. Wash the cover by hand in warm water (max. 30° C) using low-duty detergents for delicate fabrics. Do not bleach. Do not use driers. Do not dry clean. Do not iron. Dry flat in the shade.

Silver Cross®

Silver Cross (UK) Ltd, Micklethorn, Broughton, Skipton, North Yorkshire, BD23 3JA
silvercrossbaby.com