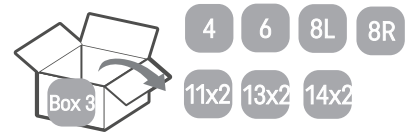
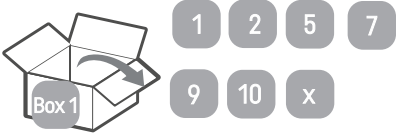


**IMPORTANT
RETAIN FOR FUTURE REFERENCE
READ CAREFULLY**

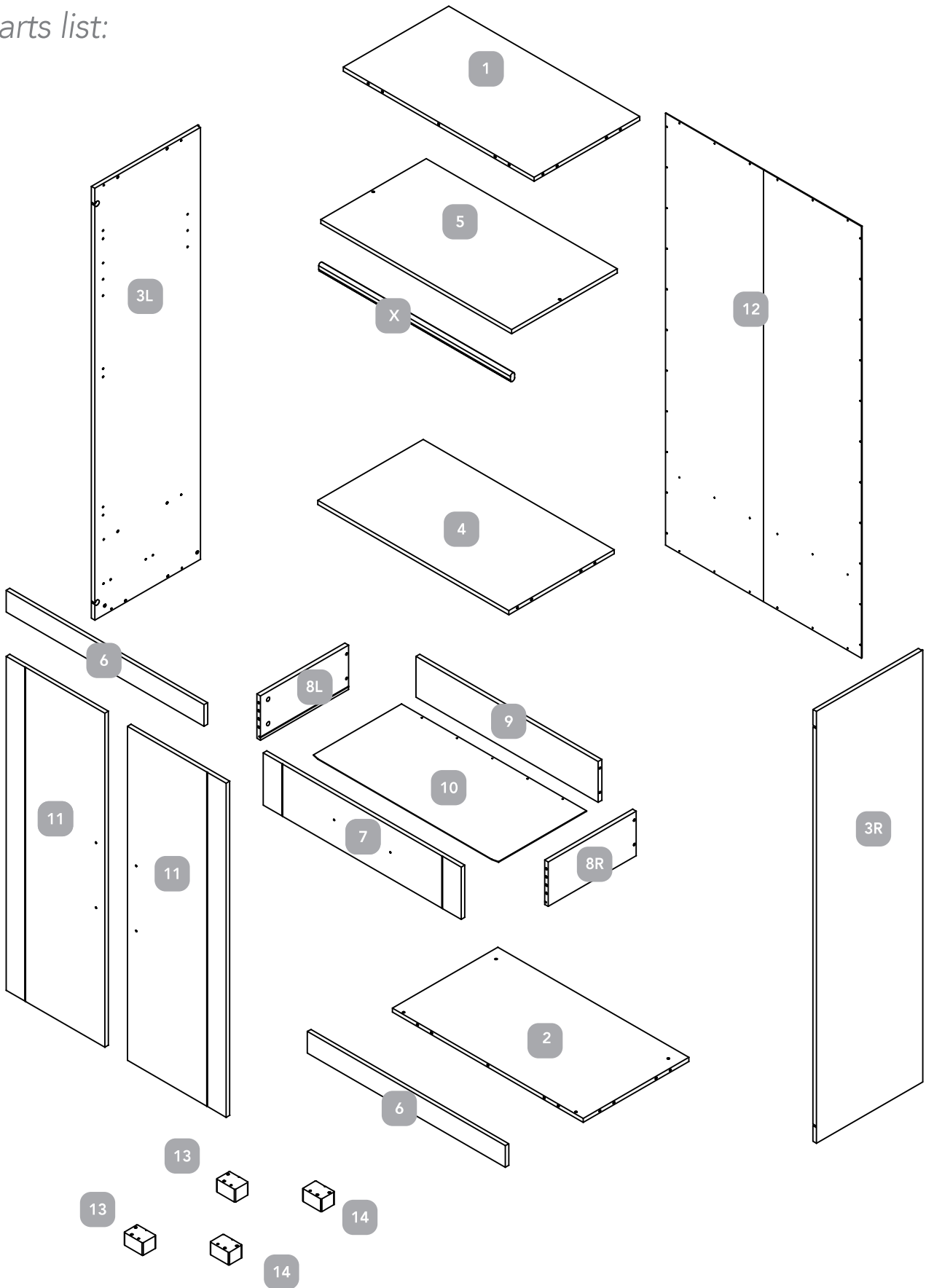
Silver Cross®

Coastline Wardrobe

** IMPORTANT: THE ASSEMBLY OF THIS
PRODUCT REQUIRES TWO PEOPLE**



Parts list:

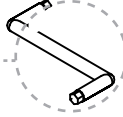


Fittings list:

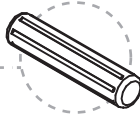
8 x **A**
(EUR 6 x 13)



1 x **C**



24 x **E**
(8 x 35)



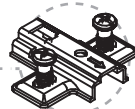
22 x **G**
(15 x 16)



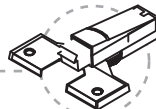
12 x **I**
(4 x 16)



6 x **K**



2 x **M**



2 x **O**
(3 x 13)



4 x **R**
(6 x 95)



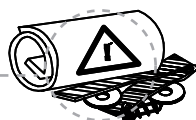
6 x **T**
(4 x 22)



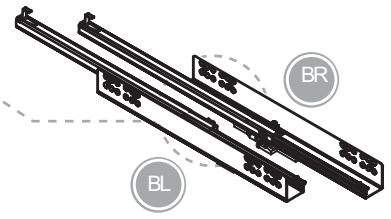
4 x **W**



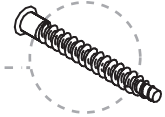
1 x **Y**



1 Pair x **B**
400



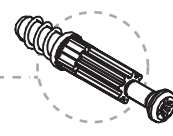
8 x **D**
(7 x 50)



45 x **F**
(3 x 16)



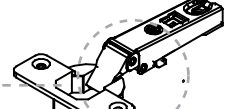
22 x **H**



2 x **J**



6 x **L**



4 x **N**



1 x **P**
(400)



4 x **S**



3 x **U**



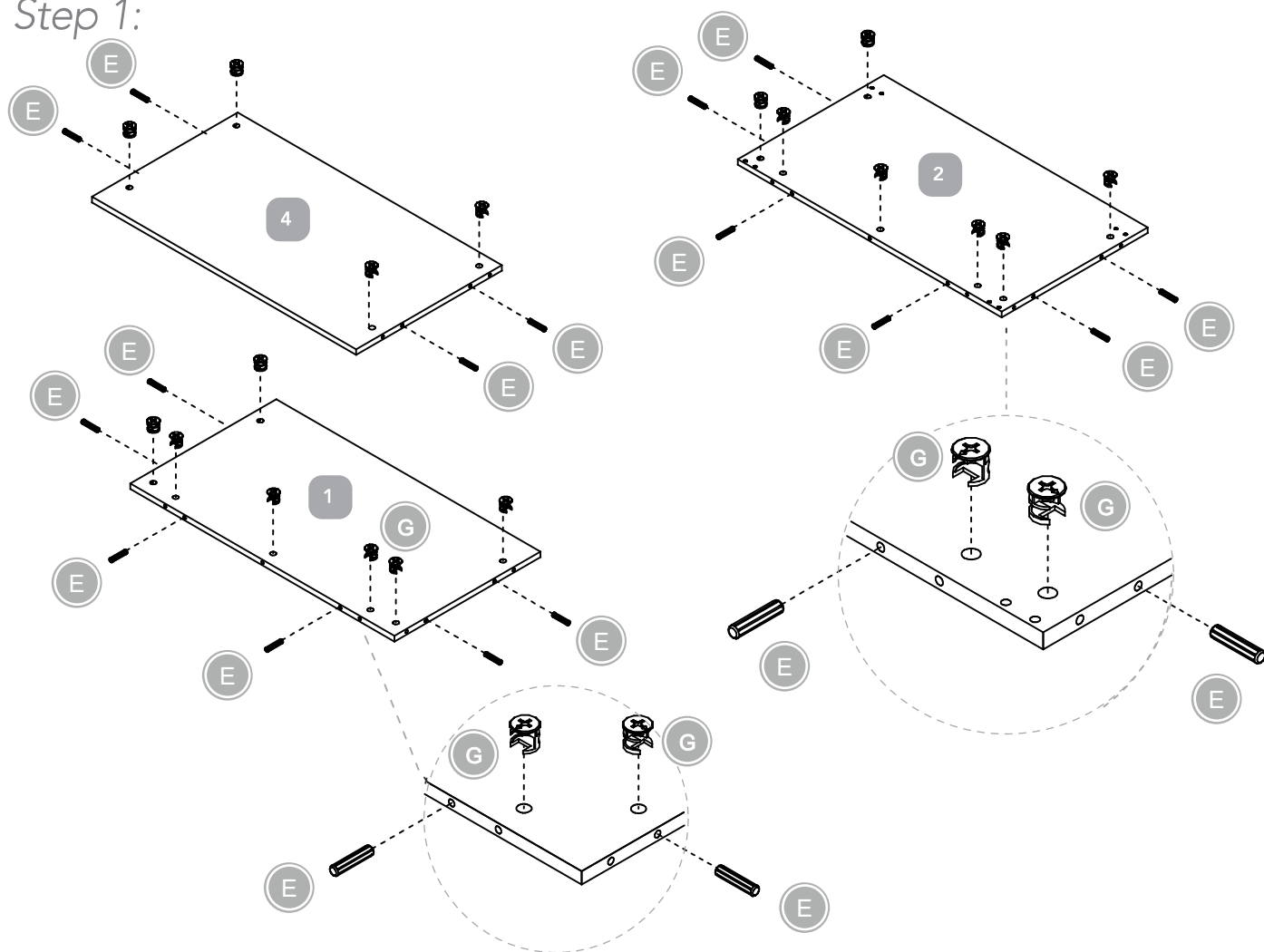
4 x **X**



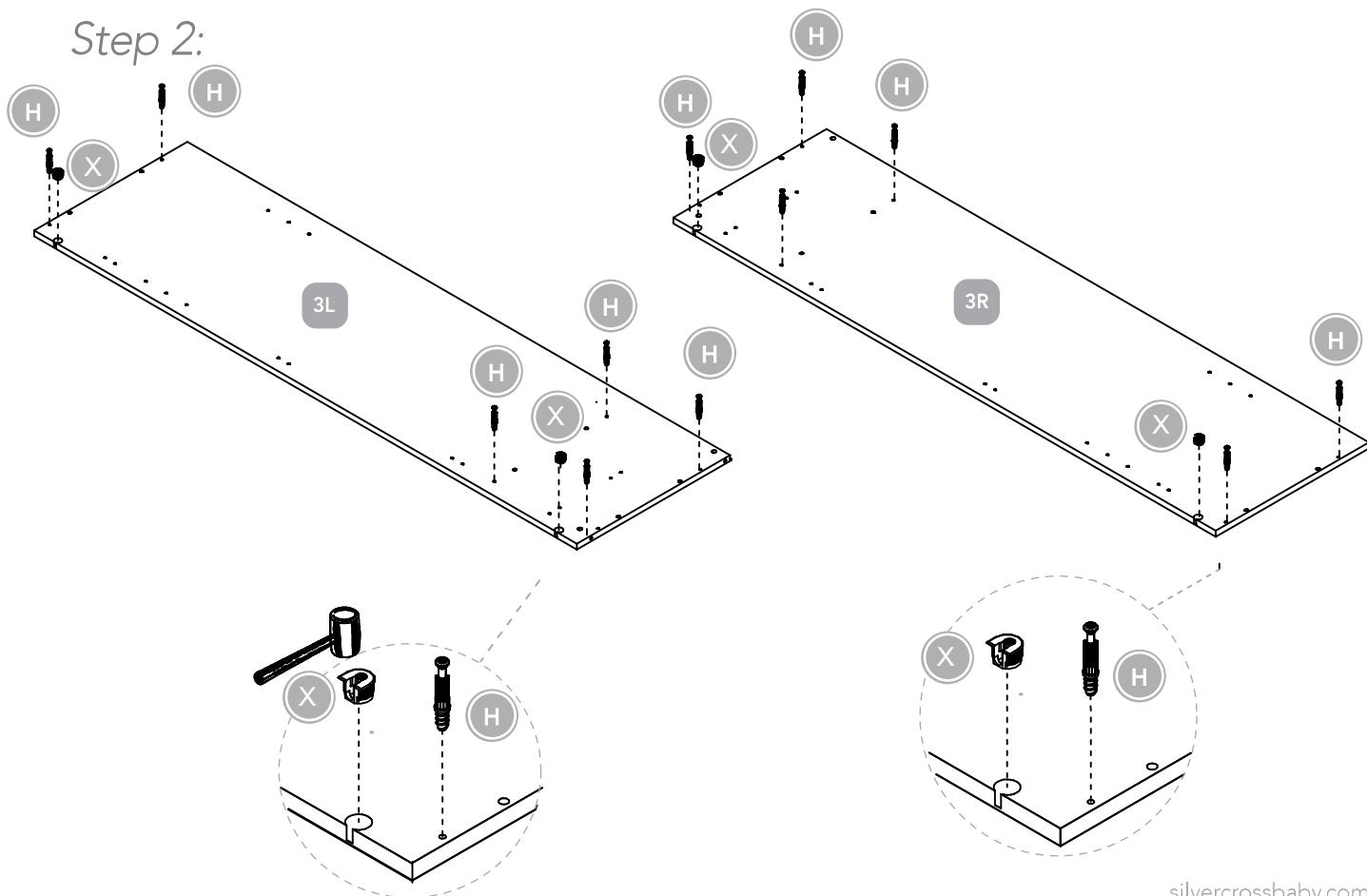
2 x **Z**



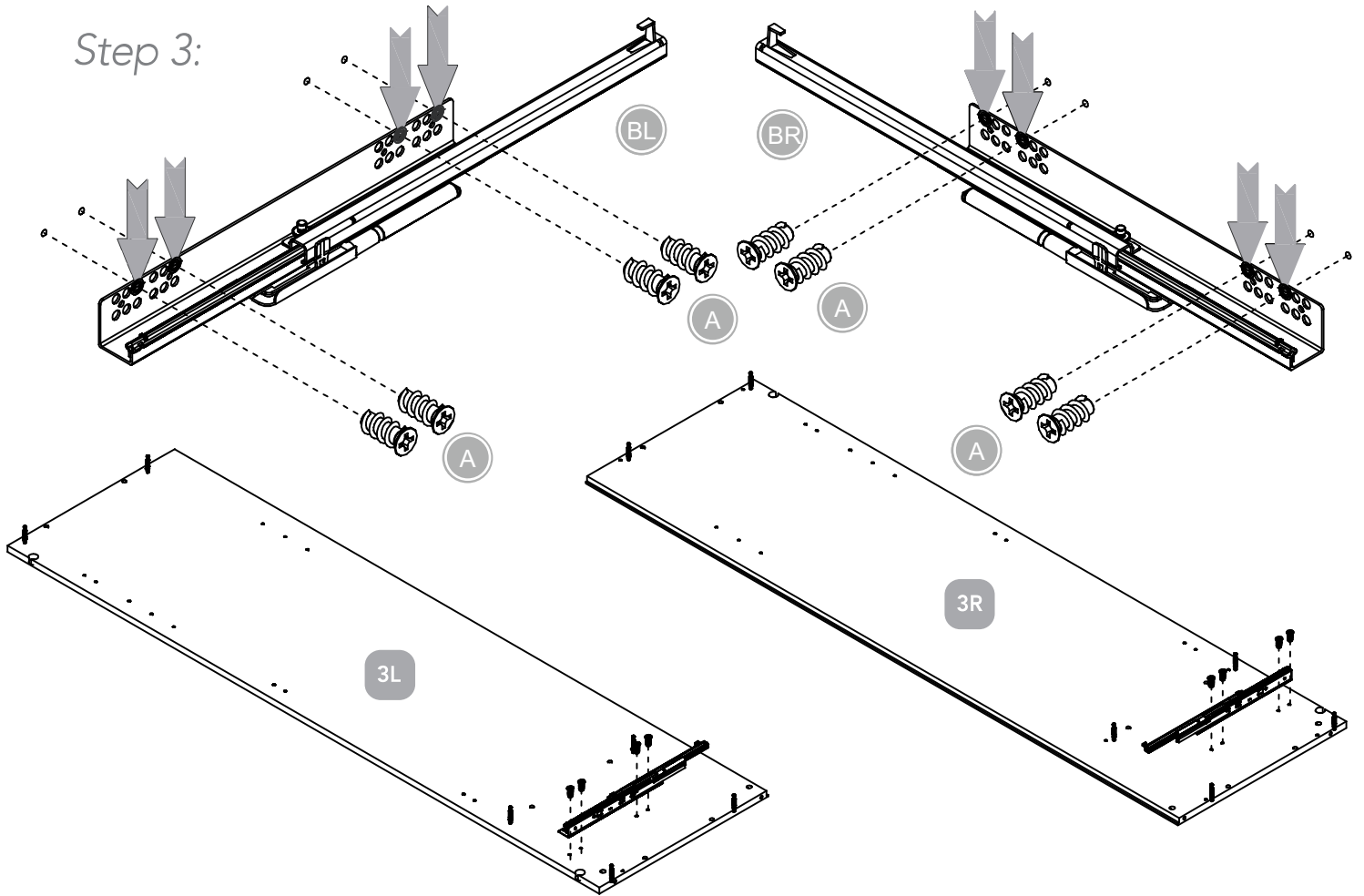
Step 1:



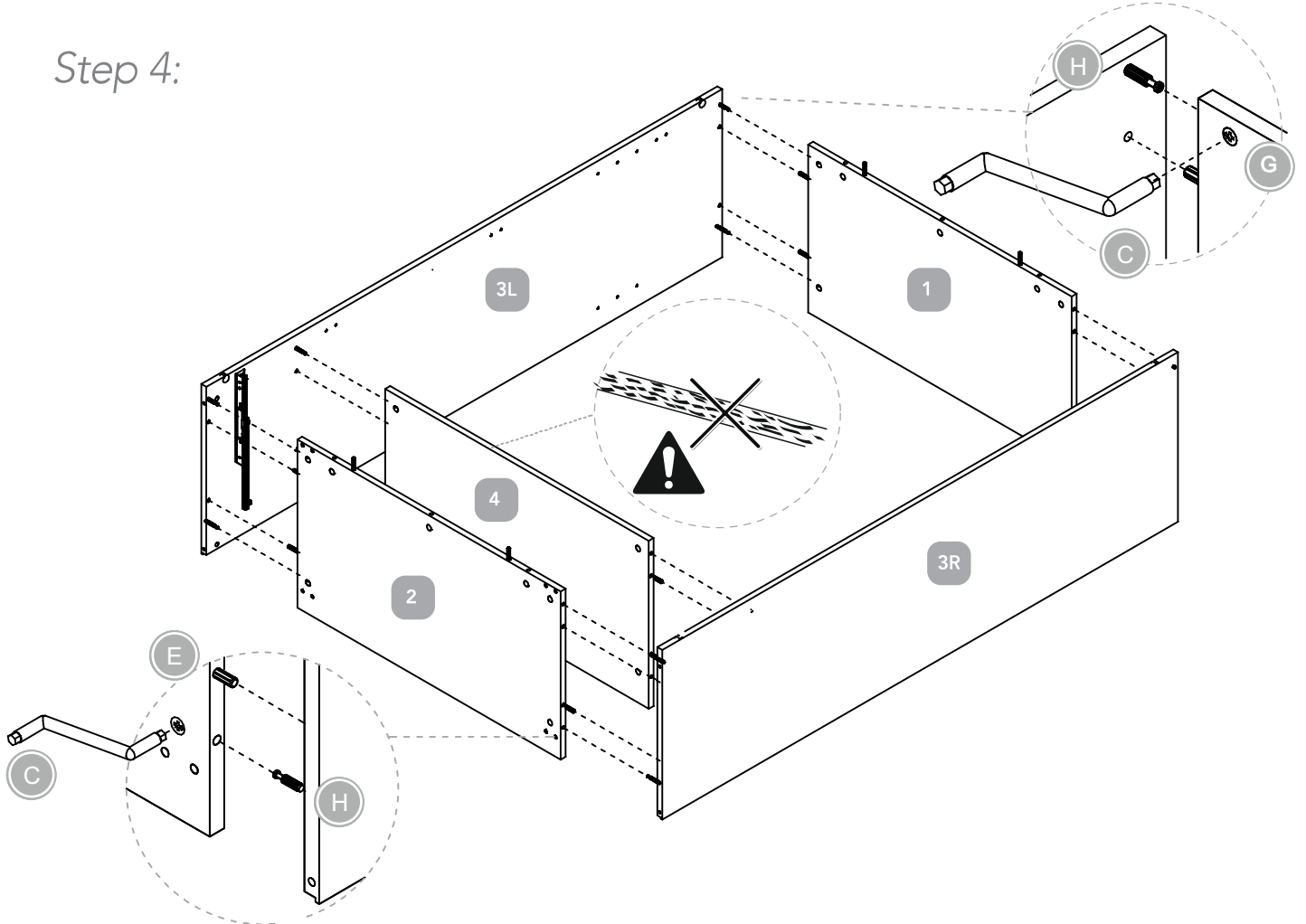
Step 2:



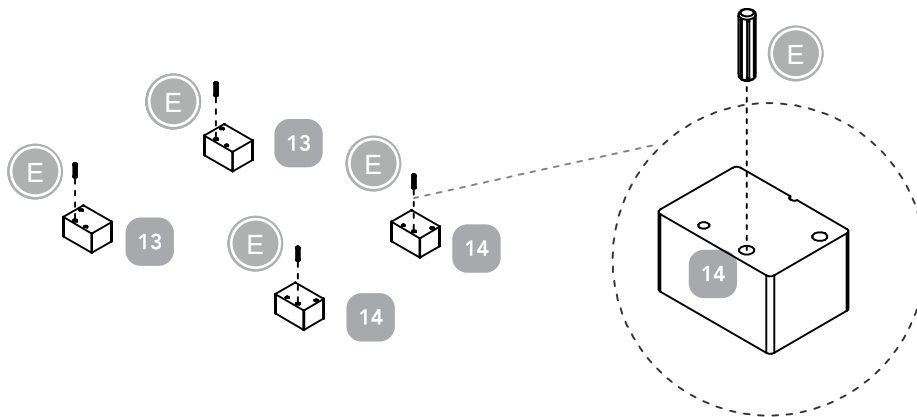
Step 3:



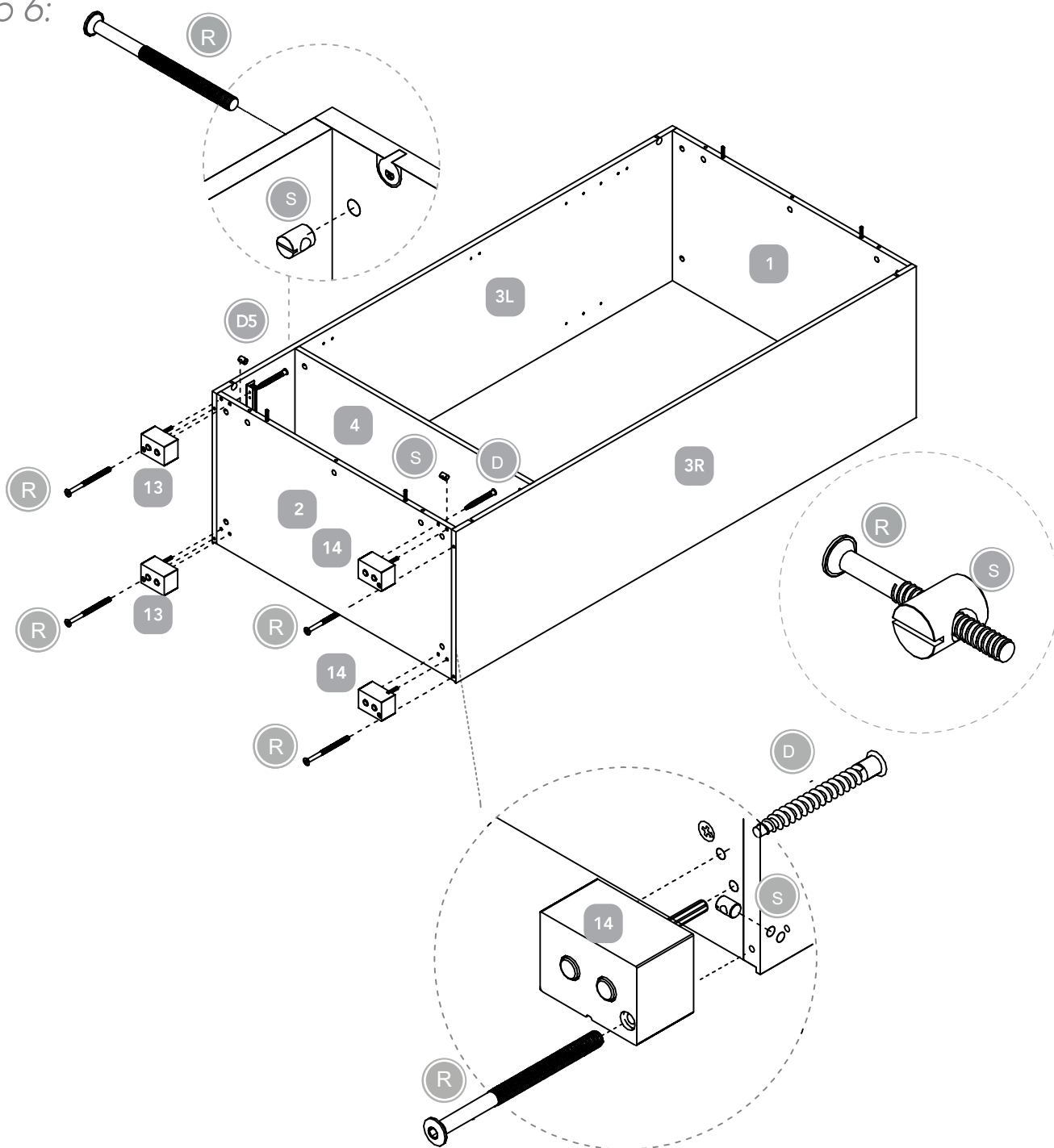
Step 4:



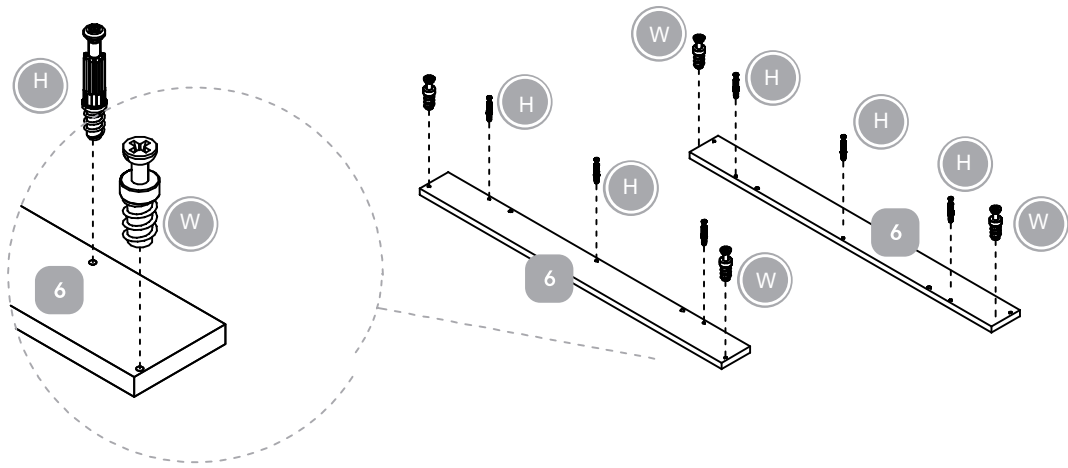
Step 5:



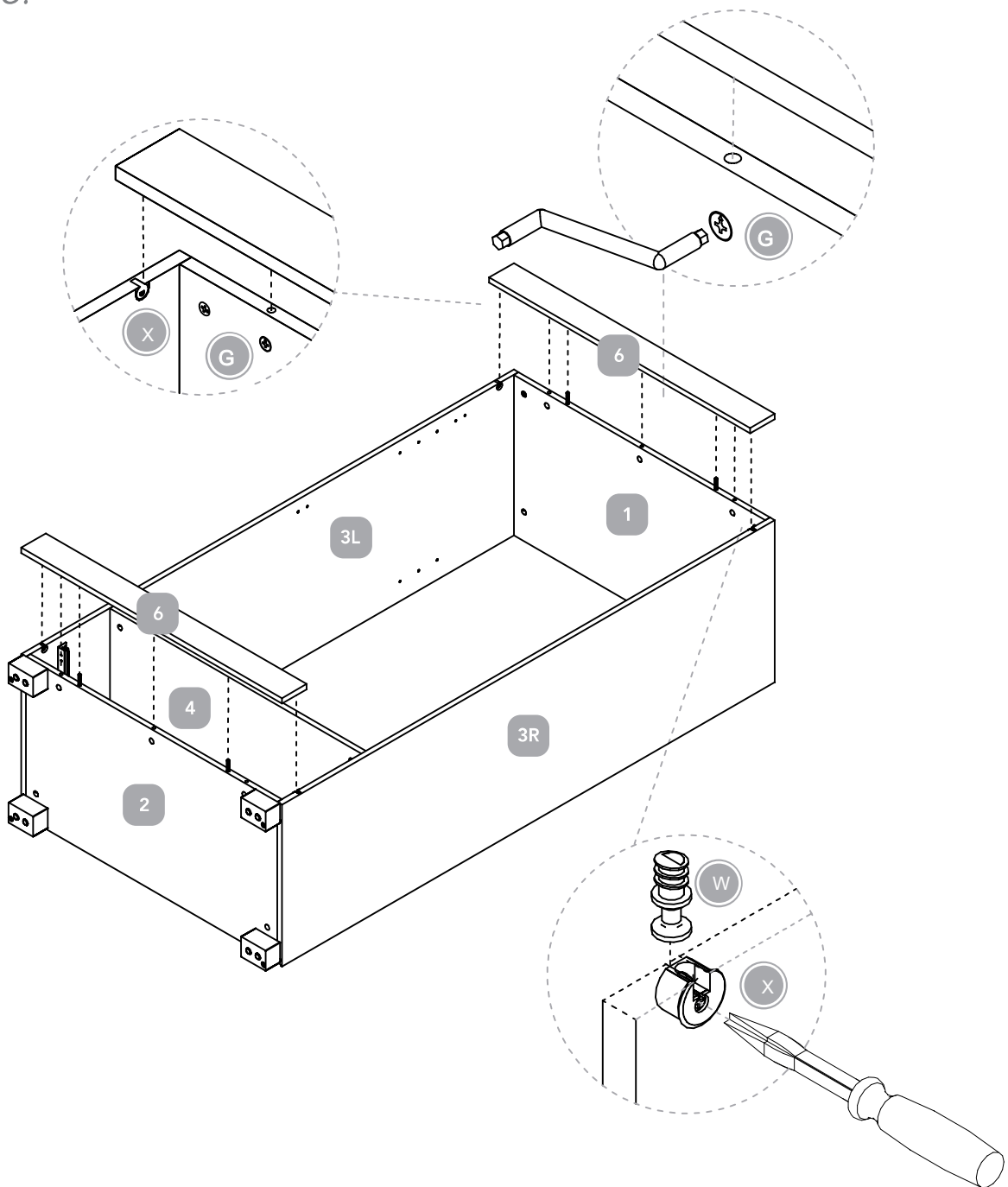
Step 6:



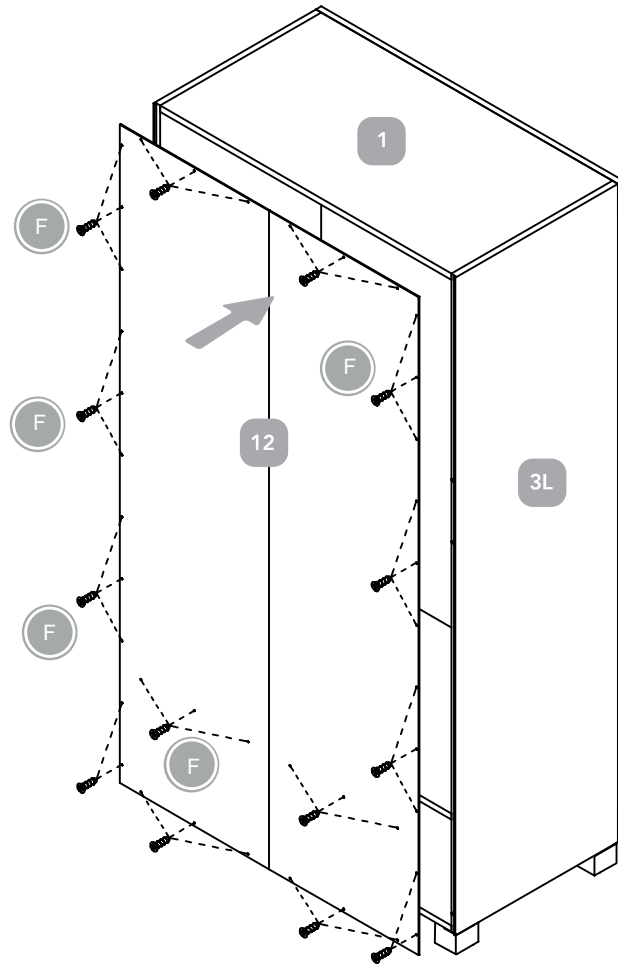
Step 7:



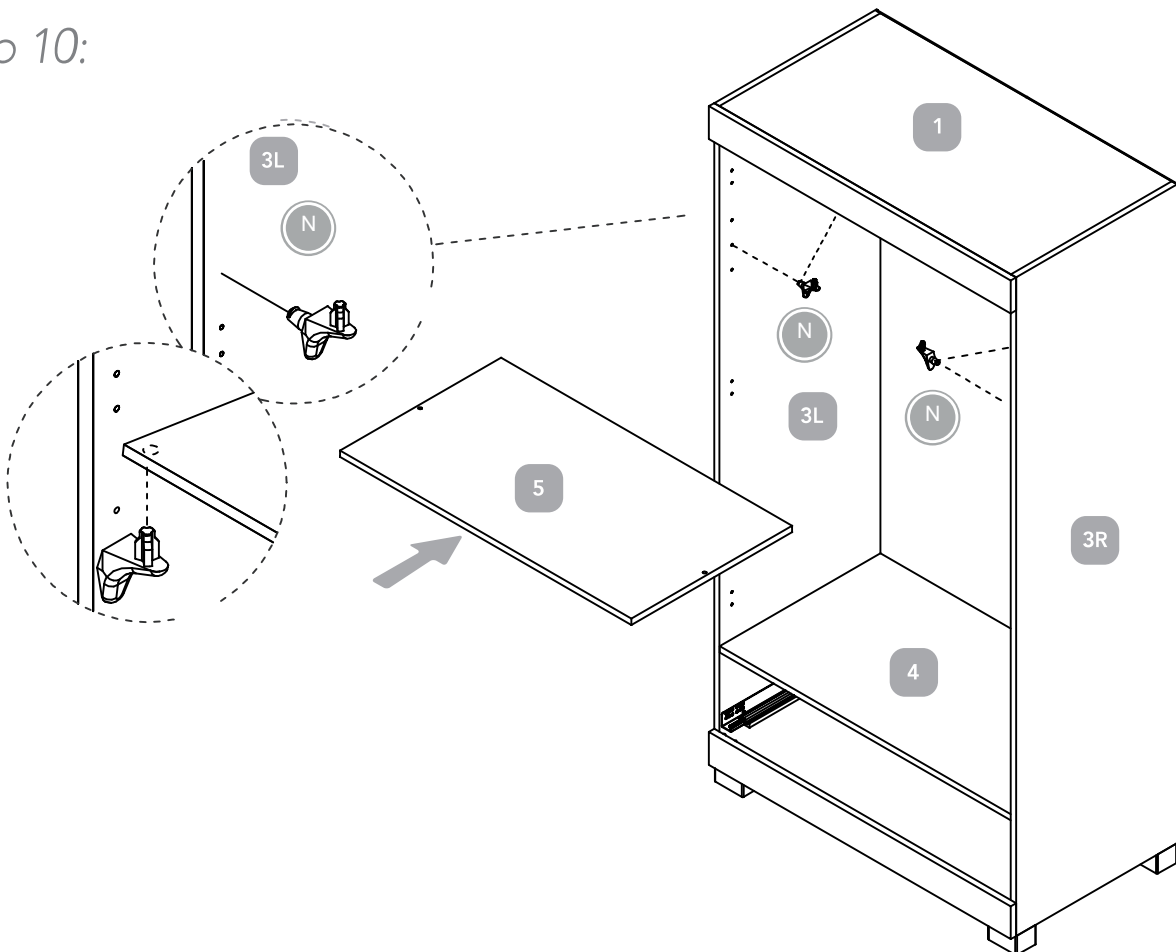
Step 8:



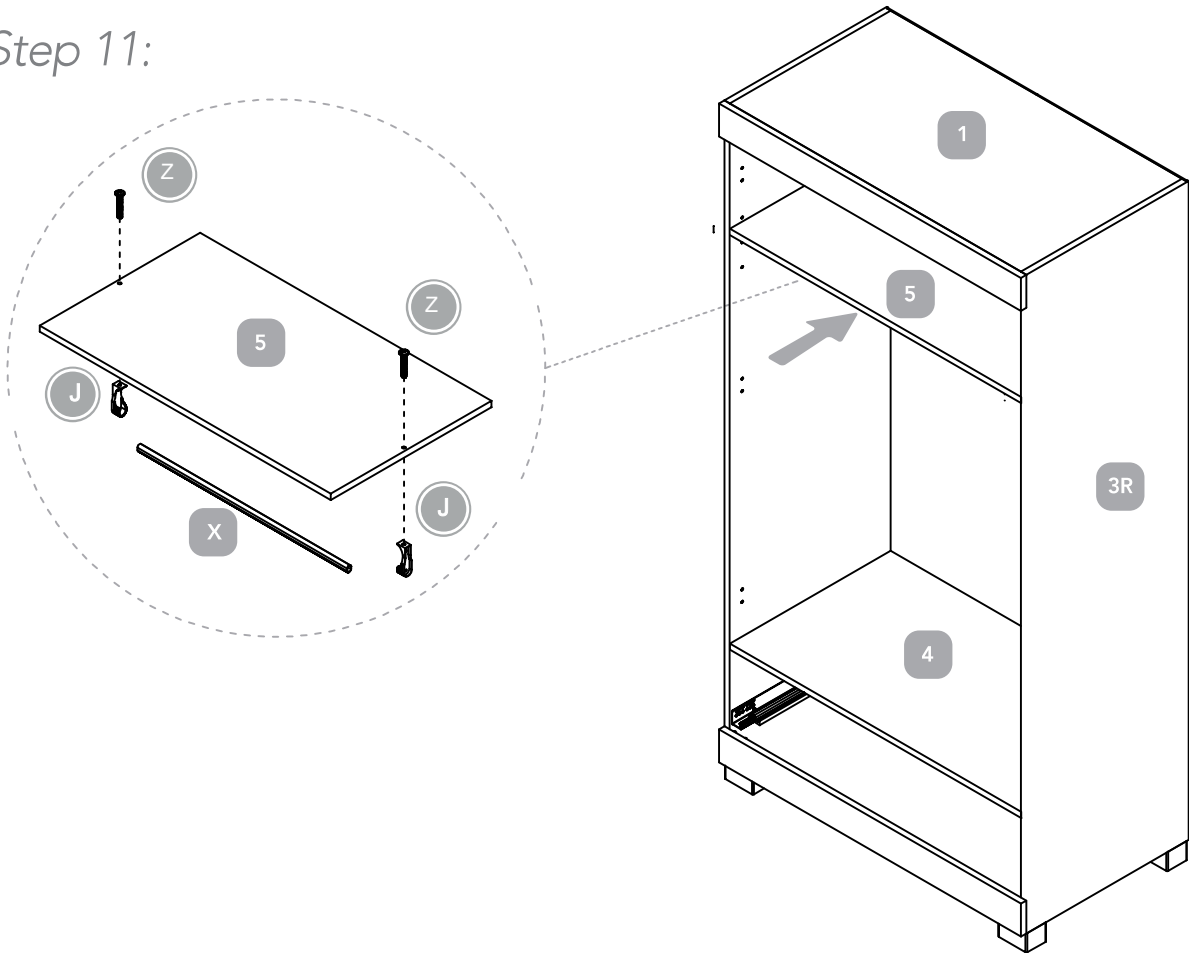
Step 9:



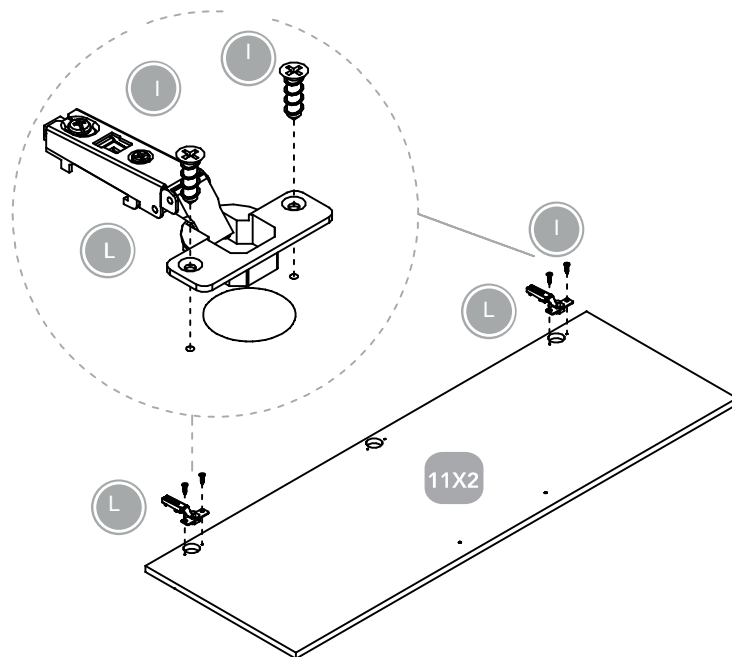
Step 10:



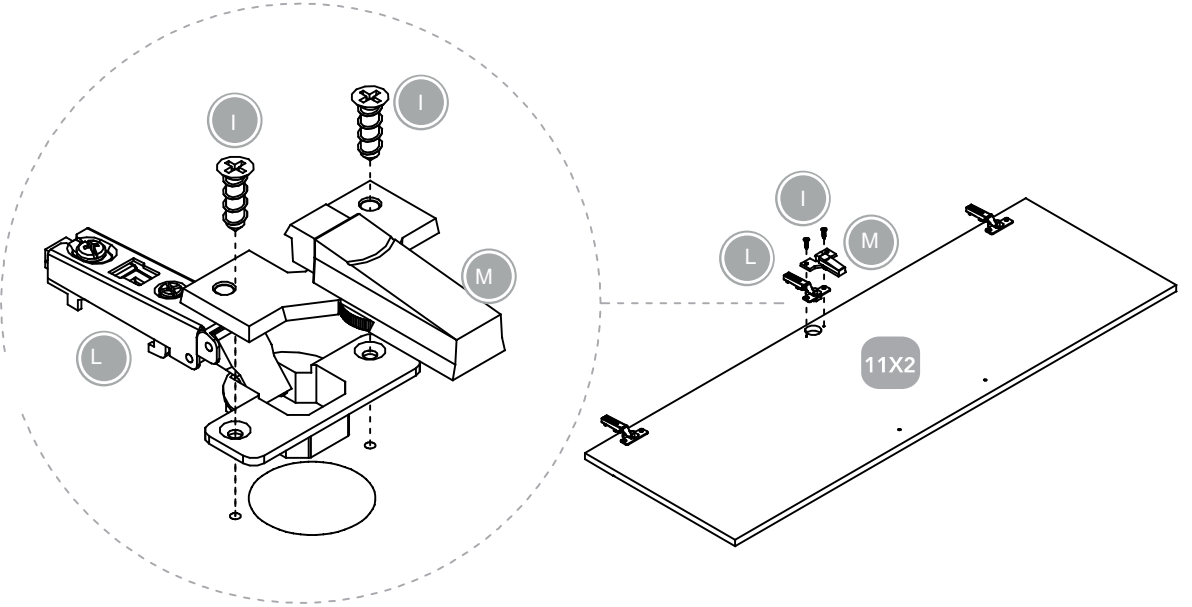
Step 11:



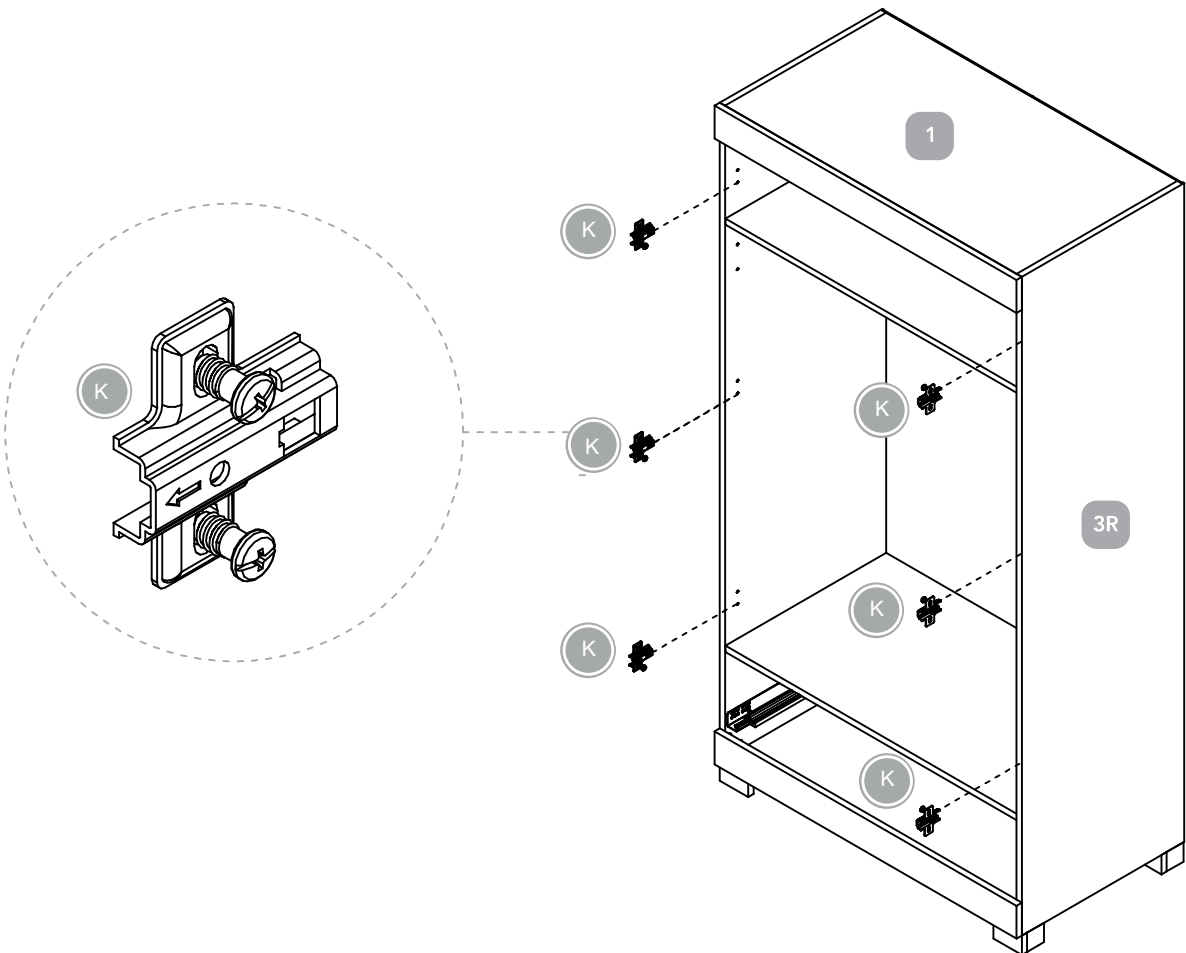
Step 12:



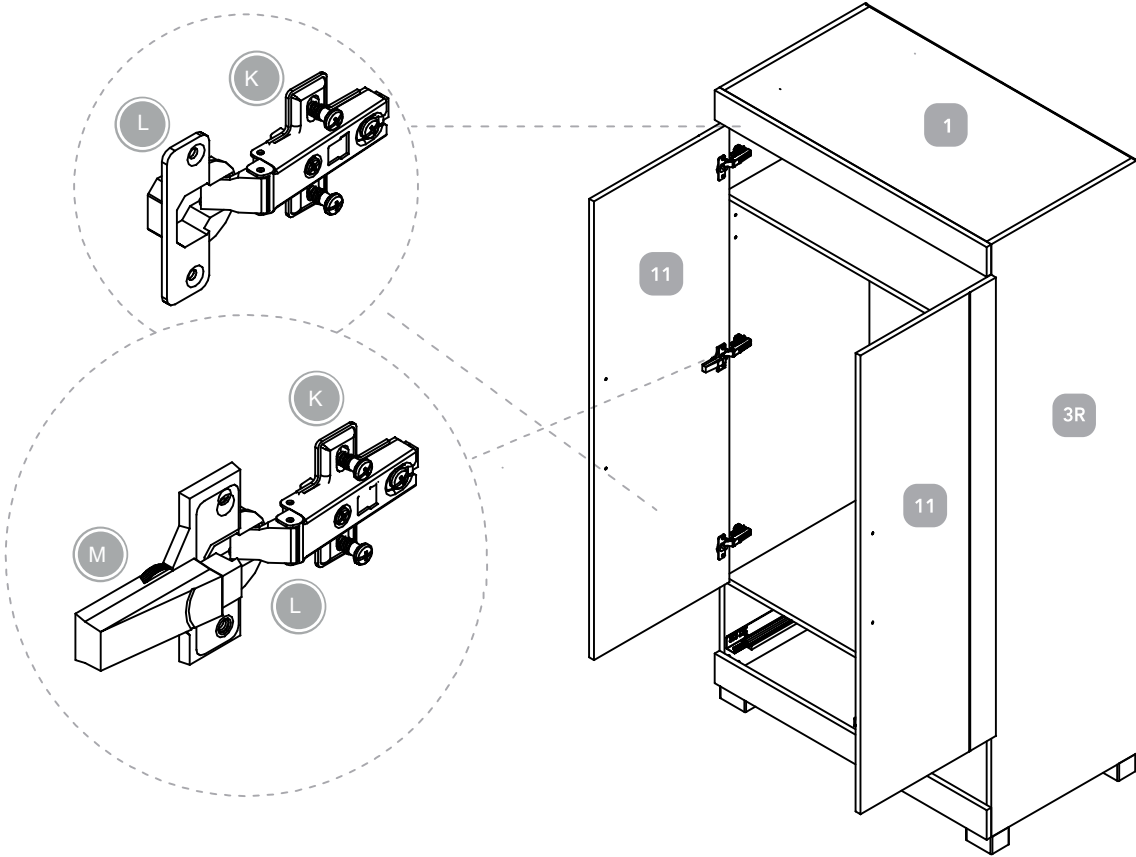
Step 13:



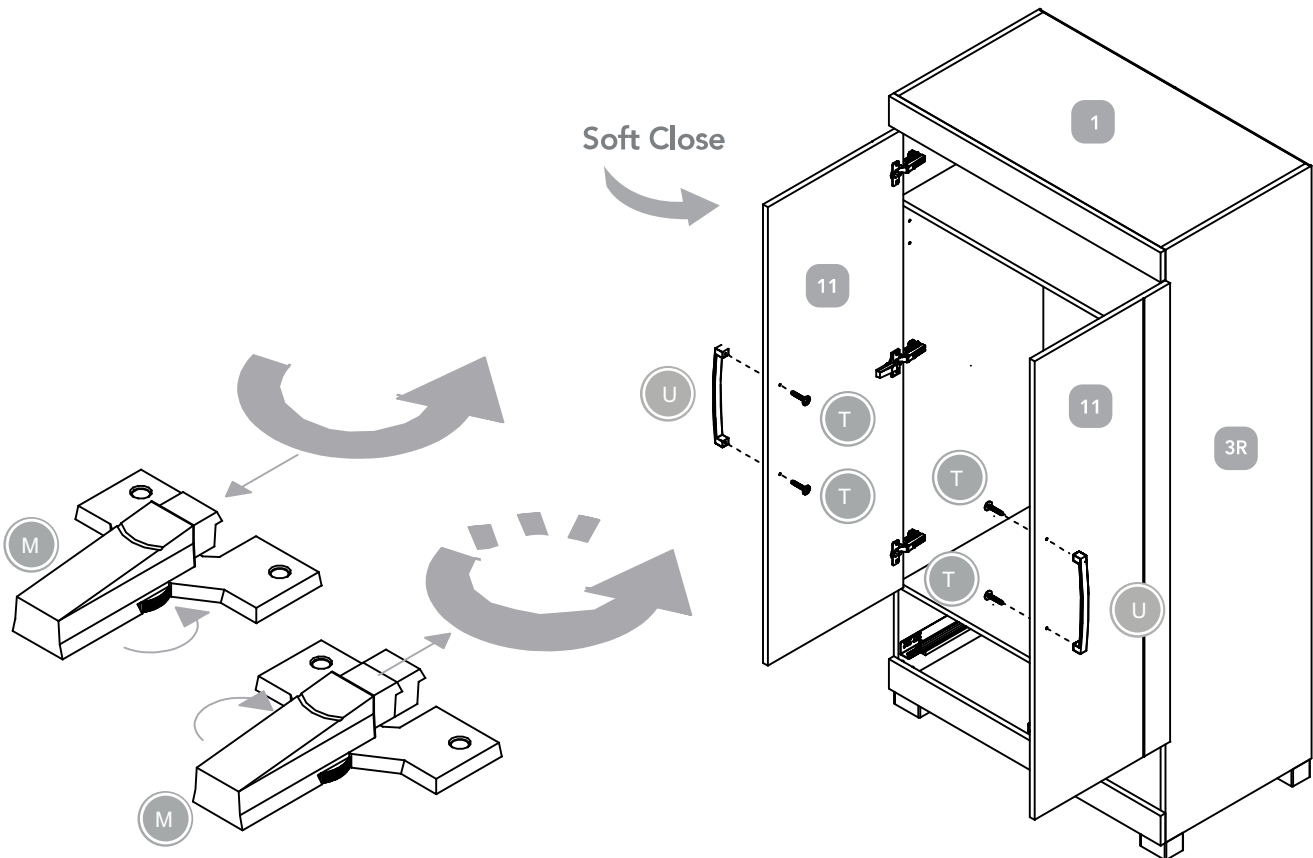
Step 14:



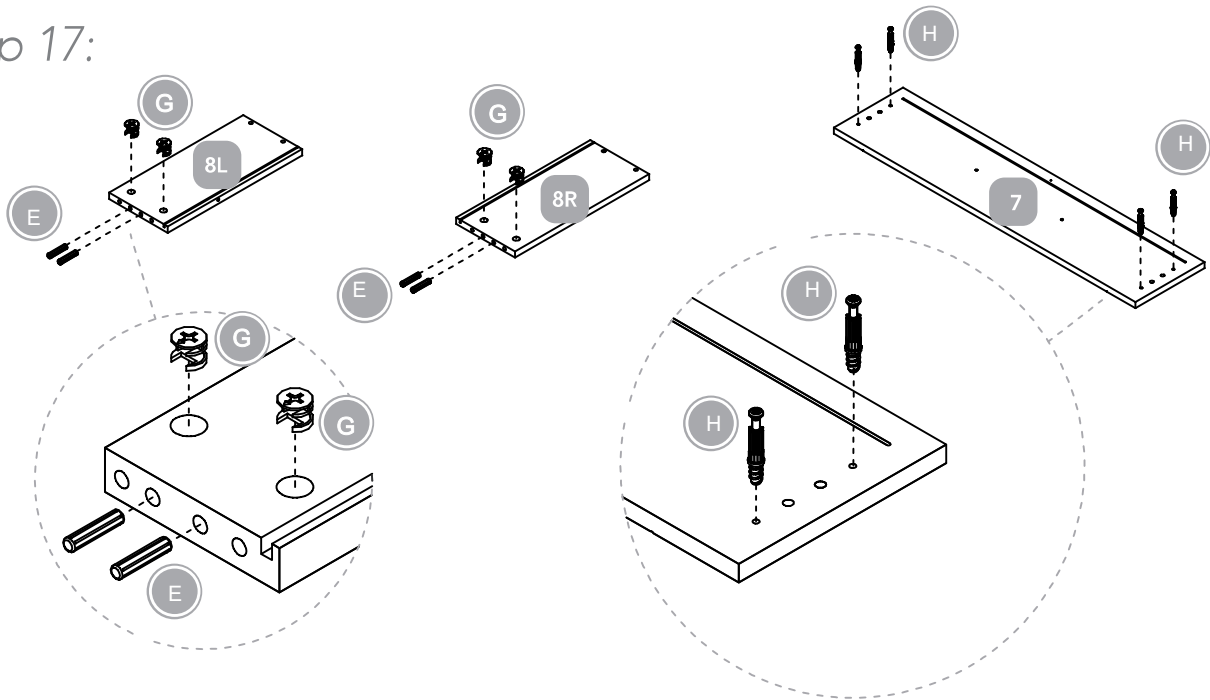
Step 15:



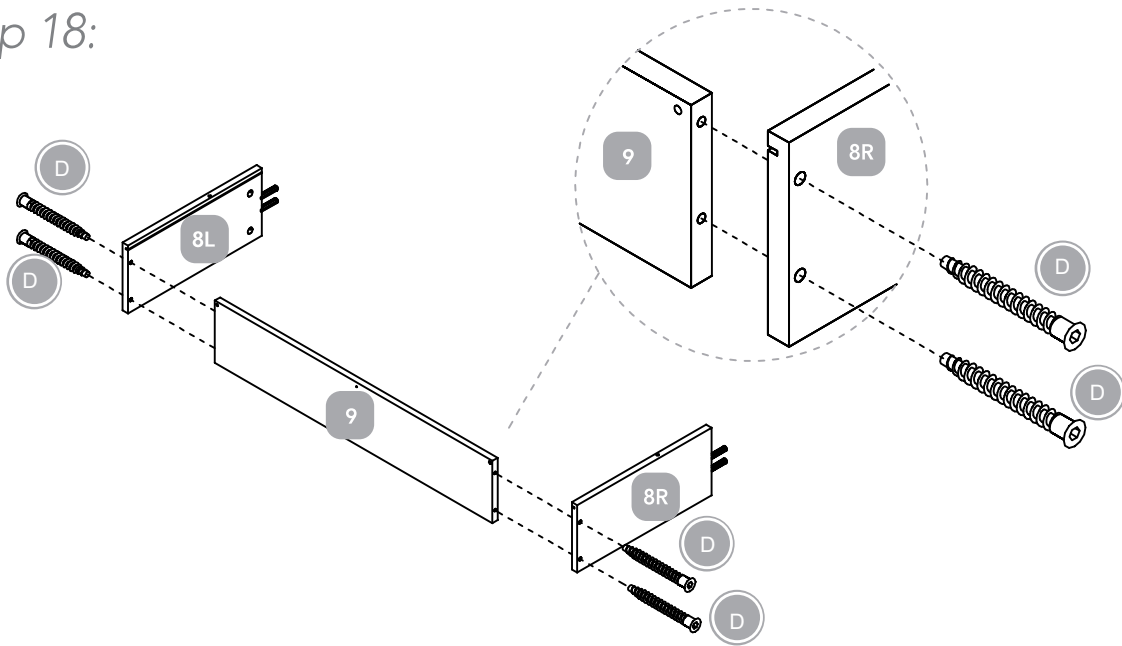
Step 16:



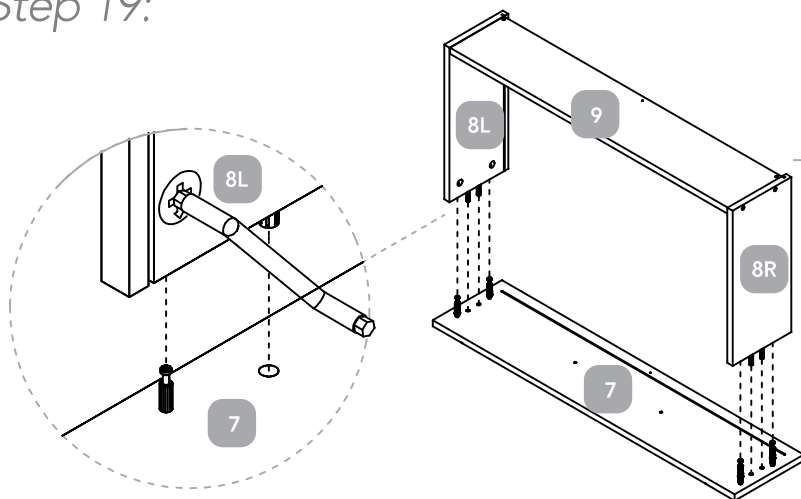
Step 17:



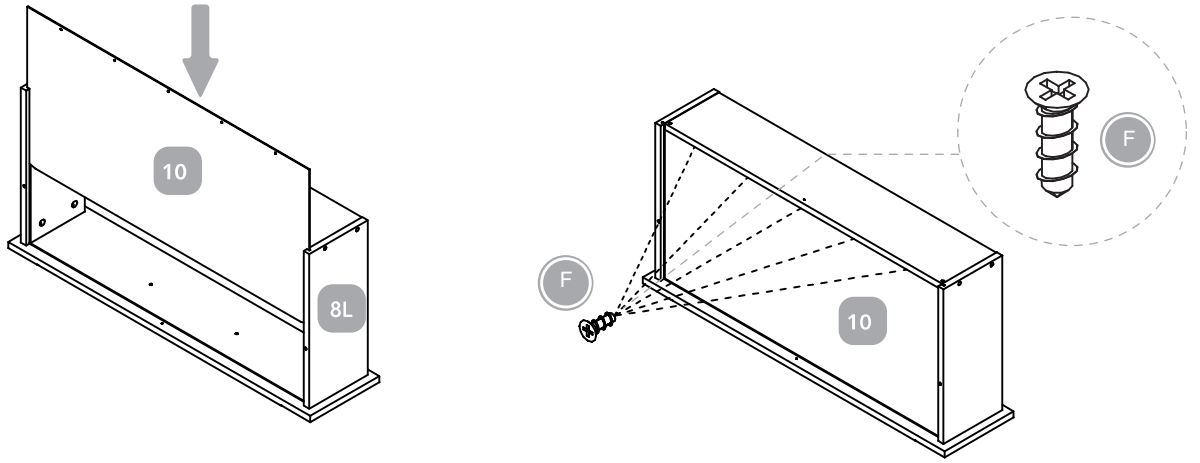
Step 18:



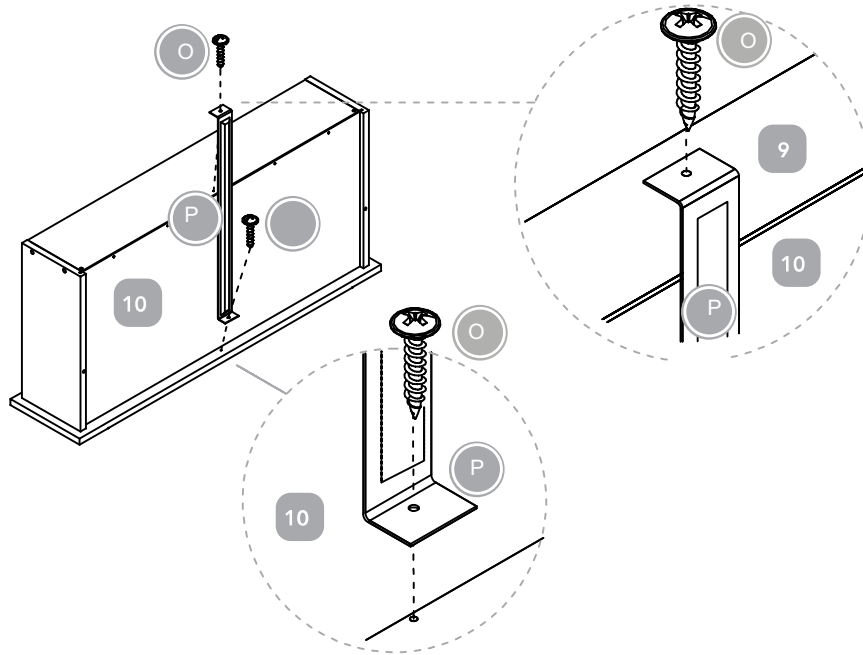
Step 19:



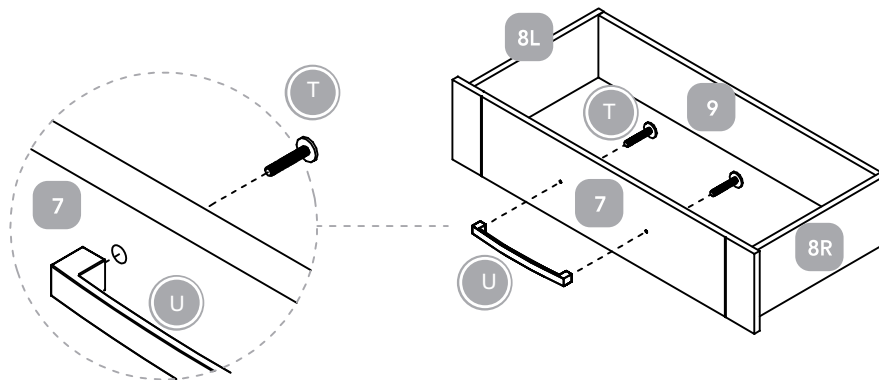
Step 20:



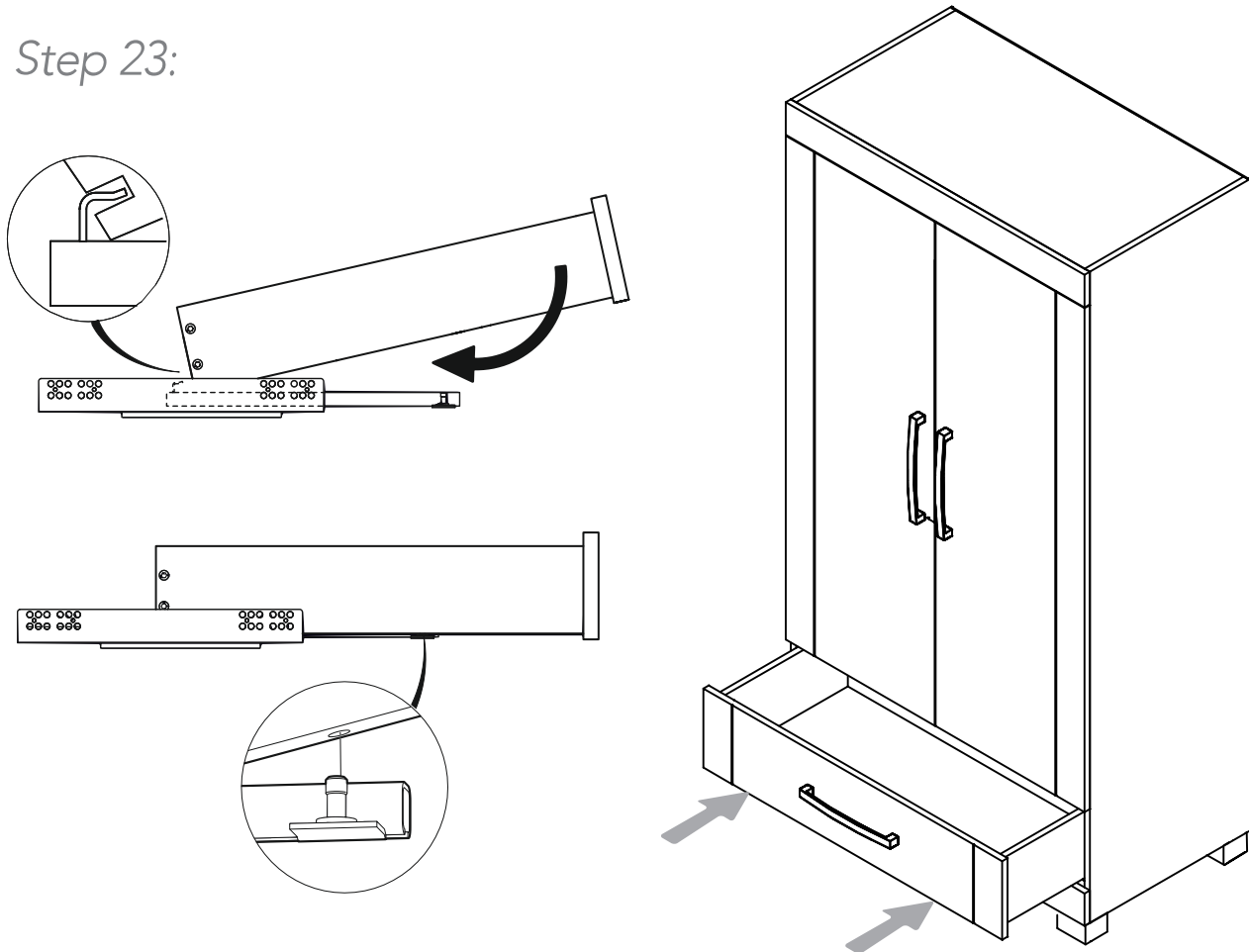
Step 21:



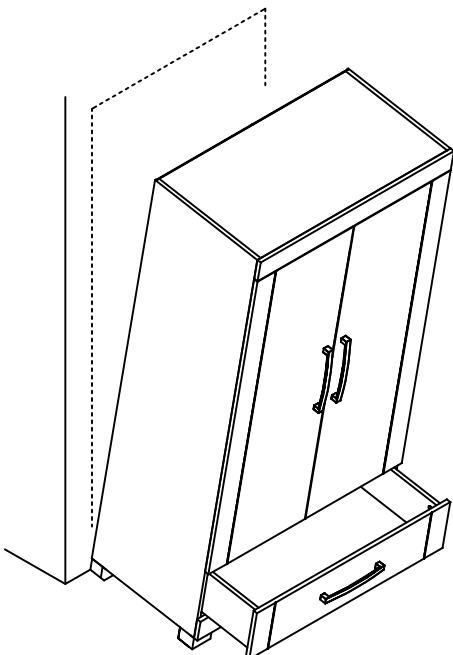
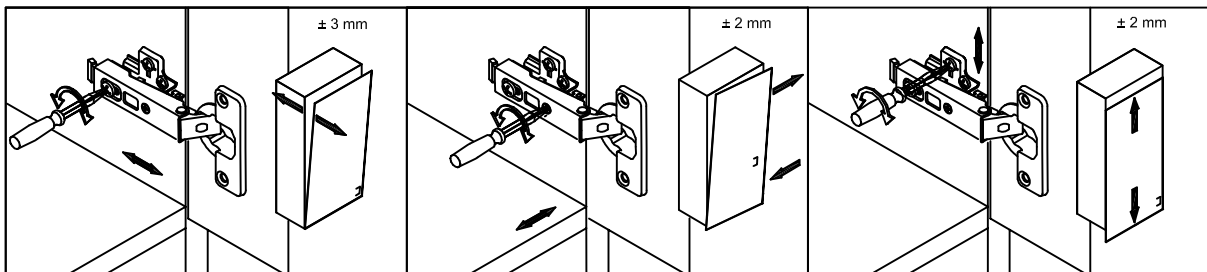
Step 22:



Step 23:

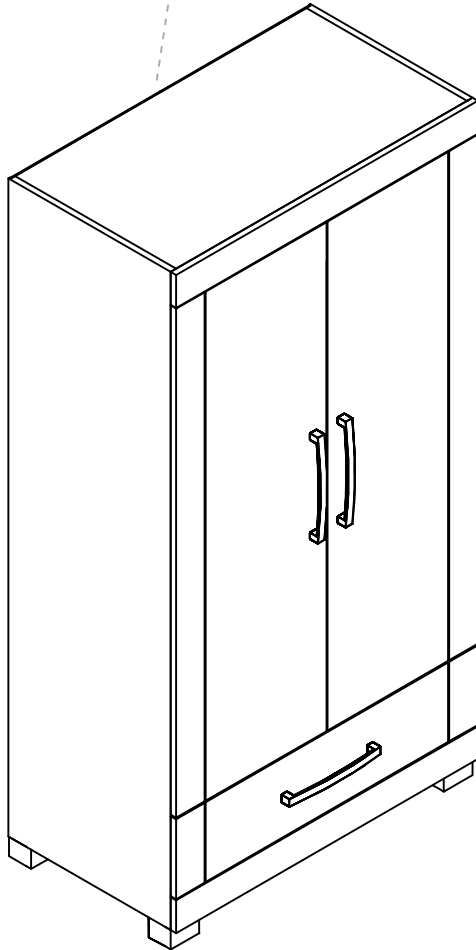
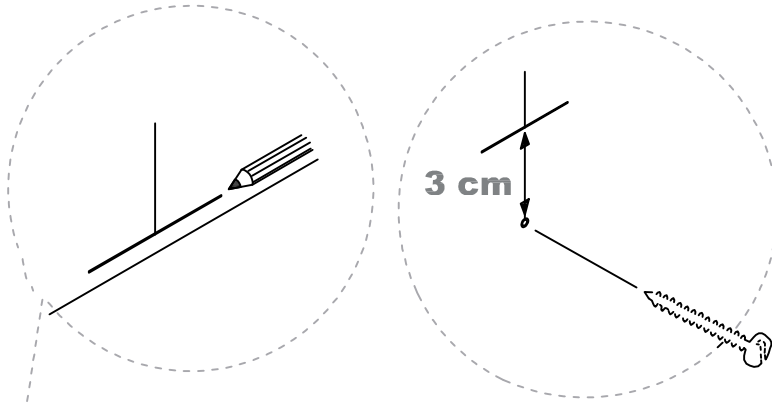


Door Adjustment

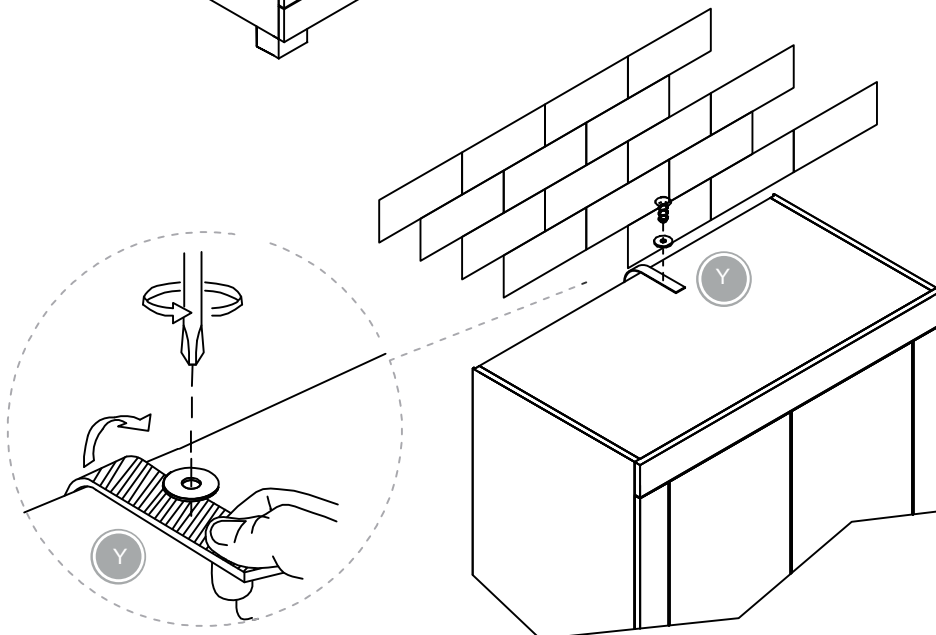


It is advised for safety reasons that the wardrobe is connected to the wall using the wall strap provided. All walls are different composition and it is important the correct fittings are used. Wall fittings are not supplied with this furniture and it is advised to consult a professional before fitting.

Step 24:



Fix the wall strap to the furniture as shown with the fittings provided – do not use these fittings to connect to the wall. Consult a professional before fitting the strap to the wall.



Warnings & Instructions

For Safe Use & Maintenance

Safety notes

This item is a high quality Silver Cross product. With correct use and maintenance it will give you good service. If however you should have any problems with your product, please contact your Silver Cross retailer who will take appropriate action.

WARNING: DO NOT LEAVE THE CHILD UNATTENDED

The safety of your child is your responsibility.

WARNING:

Regularly check all fittings and components of the changer are fully tightened and in good working order. If any parts have become worn or damaged then do not use the product and seek advice from your retailer or Silver Cross. Only use spare parts supplied by Silver Cross.

WARNING:

Be aware of the risk of open fire and other sources of strong heat, such as electric bar fires, gas fires etc. in the near vicinity of the wardrobe.

WARNING:

Never use the wardrobe if any parts are broken or missing.

WARNING:

Never drag or pivot the wardrobe. It must be lifted and moved by at least two people.

WARNING:

Before ensure the wardrobe is on a level, stable surface.

WARNING:

Do not allow children to climb on the wardrobe. The wardrobe can be cleaned with a damp cloth. Never use bleach, abrasive or strong detergents. Thoroughly dry immediately after cleaning.

WALL STRAP INFORMATION

Never modify or change the wall strap in any way. Never use any other fittings other than those supplied to attach the wall strap to the dresser.

The wall strap provided is to be used with this product only.

Never use the screw provided to attach the strap to the wall. All walls are of different composition and it is important that the correct wall fittings are used. Consult a professional before attempting to attach the strap to the wall. No wall fittings are supplied with this product.

The wall strap must not be used to replace any other fittings supplied with this piece of furniture

We recommend the wall strap is used in all cases. To improve the stability of the furniture an even wood or tiled floor is best. A carpeted or warped floor can enable the furniture to rock, increasing the potential of the furniture to fall over.

IMPORTANT: KEEP THESE INSTRUCTIONS FOR FUTURE REFERENCE



Silver Cross (UK) Ltd, Micklethorn, Broughton, Skipton, North Yorkshire, BD23 3JA

silvercrossbaby.com

IND.1120589