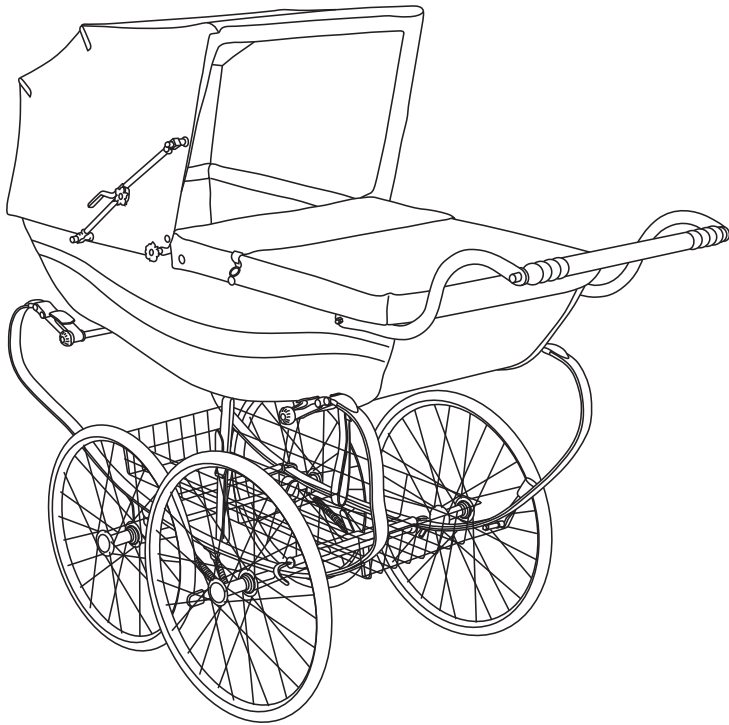


Silver Cross®

THE BEST START IN LIFE

## Balmoral



**IMPORTANT: KEEP THESE INSTRUCTIONS  
FOR FUTURE REFERENCE**

请妥善保管本说明书以供日后参考

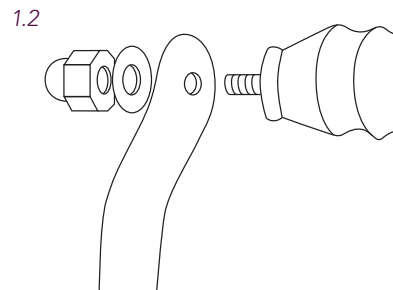
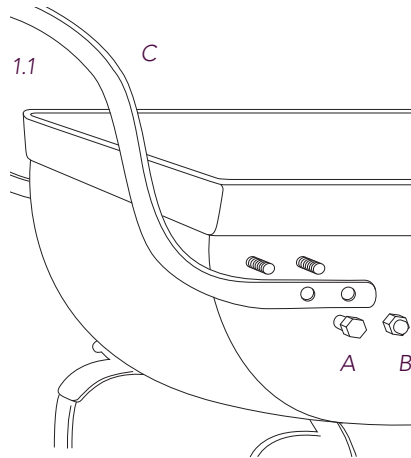
## Contents

First check all your parts have been supplied. Your Balmoral pram includes:

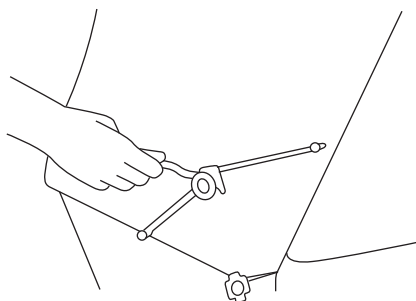
- a) Body & Chassis
- b) 2 x S-shaped metal bars
- c) Handle
- d) Hood
- e) Apron
- f) Tray (including 2 brackets)
- g) Liner
- h) Mattress with cover
- i) After Care Kit
  - Care instructions
  - Brush
  - Cloth
  - Spanner
- j) Certificate of Authenticity
- k) 5 year guarantee application card

## Fitting the handle

- 1.1 Attach the two S-shaped metal bars (C) with the flat side against the body onto the threaded bolts. Then attach the sleeved nut 'A' onto the outer most bolt (do not tighten until dome nut 'B' has also been attached). Attach dome nut 'B' onto the inner most bolt. Do this on both sides. Do not fully tighten until the handle has been attached.
- 1.2 Attach the gripping handle onto the two S-shaped metal bars; ensure the washer is between the dome bolt and the S-shaped metal bars. Tighten using the spanner enclosed in your After Care Kit. Now tighten all nuts until the handle is secure.



2.1



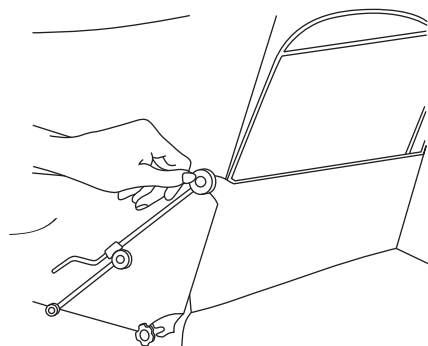
### The hood and apron

**CAUTION:** The child should be clear of moving parts while making adjustments.

- 2.1 Lift hood into position and push down on the levers on both sides of the hood to secure in place.
- 2.2 Fit the apron around the contour of the pram body and fasten the press studs on either side of the pram. To hold the storm flap in place, loop the metal fastener over the nut on either side of the hood.

**Note:** The apron can still be used in conjunction with the liner.

2.2

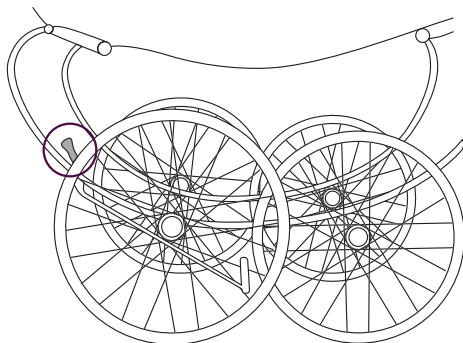


### Using the brake

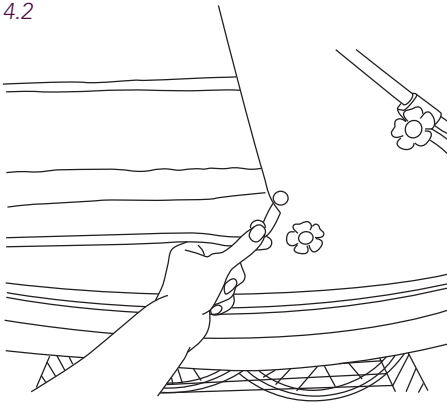
- 3.1 To operate the brake, push down on the lever with the black handle behind the back right hand wheel.
- 3.2 To release the brake, lift the lever back up.

**Note:** Always apply the brake when the pram is stationary.

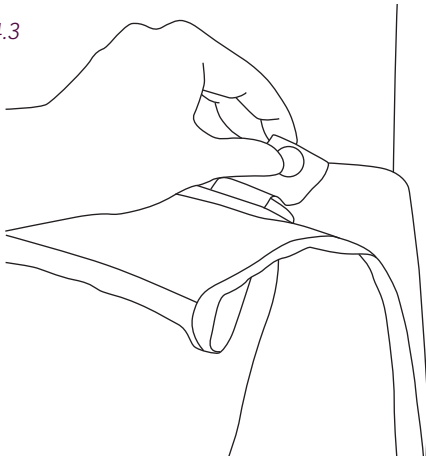
3.1



4.2



4.3

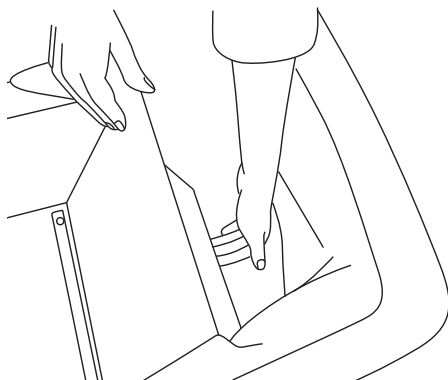


### Using the liner and mattress

- 4.1 Ensure the hood is in the up position.
- 4.2 Secure the press studs which are half way up the liner to the press studs that are near the wing nut on both sides.
- 4.3 Secure the press studs that are attached to the elastic on the liner to the press studs that are built into the pram body on top of the back ledge.
- 4.4 The mattress can be used with or without the liner. If using the mattress with the liner ensure the liner is in place first.

**Note:** Ensure the head rest part of the mattress is nearest the hood. For advice on cleaning see the wash care label.

5.1



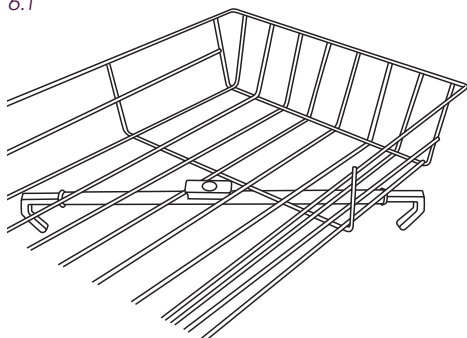
### Using the backrest

- 5.1 The backrest may be fixed in either the lying or sitting position. Always check that the backrest support is placed firmly against the stops when in the sitting position.

### Attaching the tray

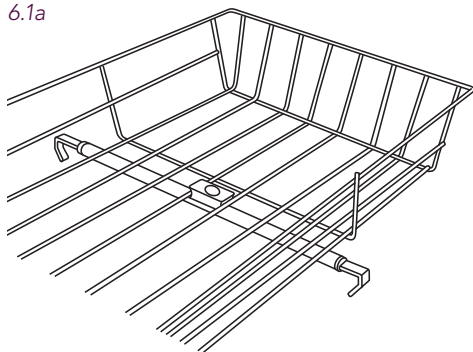
- 6.1 To fit the tray push the brackets through the underside of the tray and twist so the white plastic T bar lies on top of the tray. Each bracket should lie parallel to the cross wire as shown in 6.1a.
- 6.2 Pull the black hooks on each end of the bracket over the frame of the pram and release the clips so that the tray is secure.

6.1



**Note: Do not place items, bags of shopping for example, in the pram unit as it will cause it to become unstable.**

6.1a



---

## Safety Notes

Your Balmoral Pram is a high quality Silver Cross product. This product conforms to applicable safety standards of BSEN1888:2012 and with correct use and maintenance should give good service. If however you should have any problems with your Balmoral Pram, please contact your Silver Cross retailer who will take appropriate action.

This pram is intended to be used from birth up to 6 months.

If somebody unfamiliar is using your pram always ensure that they read these instructions carefully so that they understand how the product works best.

Always read all the instructions provided carefully and remember, the safety of your child is your responsibility.

## WARNING:

**Remove all packaging and ties before use. Check your Balmoral Pram regularly for signs of damage during use and discontinue use if found.**

**Keep away from fire.**

**Adult assembly required.**

**This product is not suitable for running or skating.**

**Never leave your child unattended.**

**Do not carry more than one child in this pram. You should never carry another child in a seat on top of this pram.**

**Check that the pram body is correctly engaged before use.**

**Ensure all locking devices are engaged before use.**

**Do not let your child play with this product.**

**The parking device should be fully engaged when placing or removing the child.**

**Any load attached to the handle and/or on the side of the vehicle will affect the stability of the pram.**

**Accessories which are not approved by Silver Cross shall not be used.**

**Only replacement parts supplied/recommended by Silver Cross should be used.**

**Do not use if any part is broken, torn, or missing.**

**Only use the mattress provided by Silver Cross.**

**Caution: The child should be clear of all moving parts while making adjustments.**

---

---

## *Care and Maintenance*

Please refer to the care guide instructions included in your after care kit for information on how to care for your Balmoral Pram.

## *Guarantee*

All Silver Cross products are guaranteed for a period of twelve months against faulty workmanship. However please refer to the extended guarantee details included with the certificate of authenticity to register for your free 5 year guarantee.

Please read these instructions carefully before using your new Balmoral Pram and keep for future reference.

Handmade in England.

## *Spares*

A full range of spares for the entire Classic Collection product range by Silver Cross is available from [www.heritage-prams.co.uk](http://www.heritage-prams.co.uk)

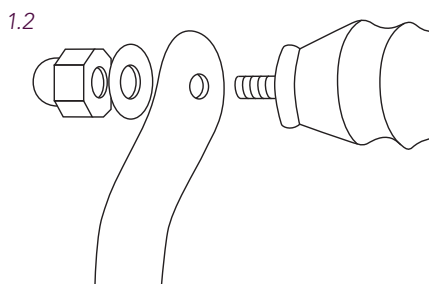
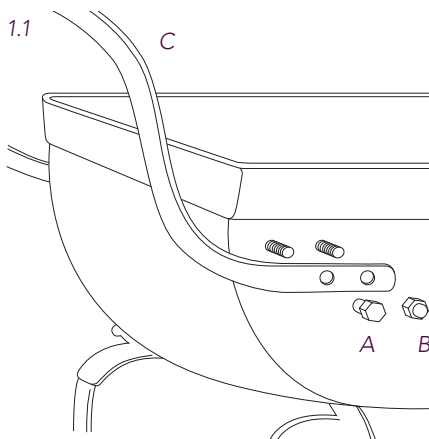
## 内容包括

首先检查所有配件是否已经提供，你的Balmoral豪爵婴儿车包括：

- a) 婴儿车车身，前后轮
- b) 手柄
- c) 顶蓬
- d) 底盘（包括2个支架）
- e) 衬垫
- f) 织品保护套的床垫
- g) 保养工具箱

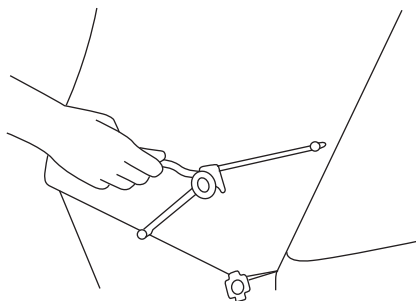
## 安装手柄

- 1.1 将两个S形手柄配件平面的一面安装于车身上的螺栓，然后将螺帽”A”套在左边的螺栓上（先不要拧紧直到圆顶的螺帽”B”被拧上），把圆顶的螺帽”B”固定在右边的螺钉上。两边同时操作，不要完全拧紧直到手柄被固定。
- 1.2 将2个S形手柄部件与婴儿车手柄固定，确保垫圈在圆顶螺栓和S形手柄部件之间，使用扳手拧紧（该扳手在保养工具箱中），现在可以拧紧所有螺帽直到手柄牢固。

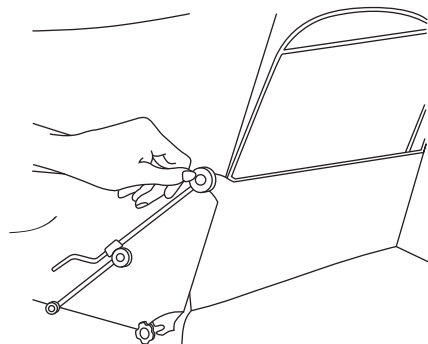




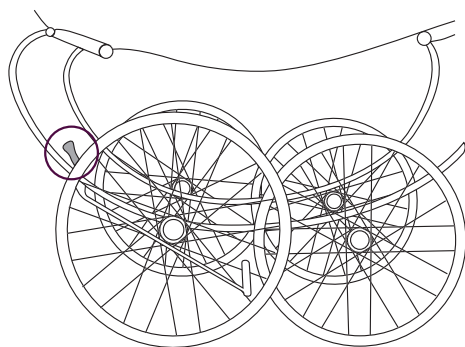
2.1



2.2



3.1



## 顶蓬及围罩

注意：在进行调节时，孩子应当远离调节中的零件

- 2.1 将顶蓬抬起至合适的位置，然后向下压顶蓬两侧的支架杆
- 2.2 将围罩沿着婴儿车车身的周边安装，在婴儿车的每一边收紧字母贴。在顶蓬上放置防雨罩，金属拉链位于顶蓬两侧的螺帽上，将金属拉链沿着周边拉起

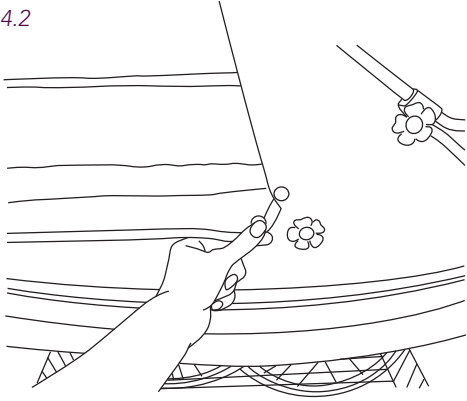
注意：围罩也可以与衬垫同时使用

## 使用刹车

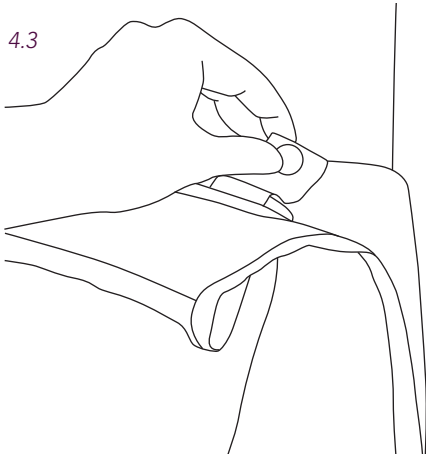
- 3.1 离开时按下黑色手柄后面的手轮子操作刹车
- 3.2 放开刹车抬起手柄倒车

注意：在婴儿车静止不动时始终保持刹车状态

4.2



4.3



## 使用床垫与衬垫

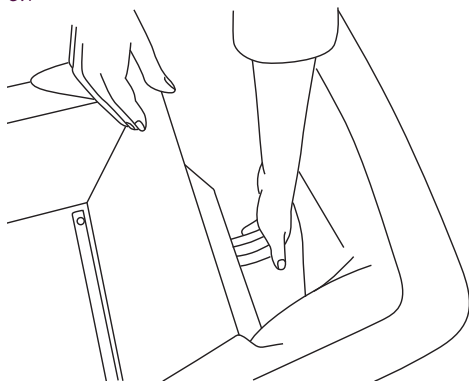
注意：当靠背位于竖立或者平躺状态时，床垫与衬垫都可以使用

- 4.1 靠背顶端的孔位于上方位置，这样就确保了衬垫位置的上下正确。
- 4.2 确保衬垫中间位置的子母扣与车架二侧蝶形螺母处的子母扣贴在一起
- 4.3 确保衬垫松紧带上的子母扣与婴儿车车身下部后背支架的子母扣粘贴在一起
- 4.4 D型环可轻易通过衬垫的孔穿过
- 4.5 床垫可与衬垫同时使用或独立使用。如果床垫与衬垫同时使用，请先安装衬垫。

注意：确保床垫的头枕部分是最靠近车篷的一端

洗涤指导请参照水洗标

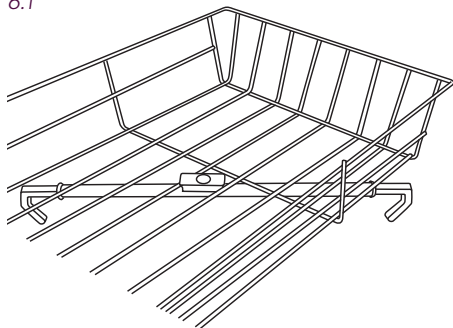
5.1



## 使用靠背

- 5.1 靠背既可以在平躺模式时使用，也可以在座的模式使用，在座的模式使用时请确保靠背的支撑稳固地放置

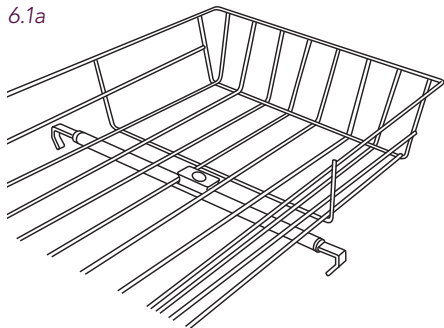
6.1



## 固定底盘

- 6.1 要固定底盘，推动托盘下部的支架并旋转，这样黑色挂钩就会旋转到托盘的顶部。每个支架应与十字线平行如6.1a图所示。
- 6.2 拉动每个支架终端的挂钩，该支架位于婴儿车架上方，松开夹子，这样底盘就固定了。

6.1a



注意：不要将物品，例如购物袋放在婴儿车里，因为这会导致它变得不稳定。

## 安全告知

你的Balmoral婴儿车是高质量的Silver Cross产品，本产品符合并适用欧洲EN1888:2012和中国CCC认证（GB 14748-2006）的安全标准，正确的使用和维护可以提供良好的服务。然而，如果你的Balmoral婴儿车有任何的问题，请联系Silver Cross的零售商，零售商会采取适当的措施。

这款婴儿车可以从出生使用到6个月

购物蓝的最大承重：5公斤

在使用前请仔细阅读本手册，并保留它以备今后参考。未按说明书使用可能会影响你孩子的安全。如果有不熟悉产品的人使用你的婴儿车请确保他们认真阅读这些说明，并使他们了解如何最好地使用产品。让你的孩子安全是你的责任。

警告：在使用前清除所有的包装和系绳。定期检查你的Balmoral，如果在使用中发现损坏的迹象，立即停止使用。

警告：远离火源

警告：由成人负责安装

警告：这款产品不适合奔跑及滑行

警告：婴儿乘座时必须有人看护

警告：婴儿车只能容纳一个婴儿，也不可以把另一个婴儿放在婴儿车上方的座位上。

警告：使用前检查婴儿车的车身，座椅，或汽车安全座椅的连接装置是否连接牢固。

警告：使用前请确保所有锁定装置均处于锁定状态

警告：为避免伤害孩子，在折起及找开本产品时请不要让你的孩子靠近。

警告：不要让婴儿玩耍本产品

警告：在将婴儿抱出或抱进婴儿车之前要确保驻车刹车装置已锁定

警告：婴儿车手柄和（或）婴儿车两侧如果有额外的负重均会影响婴儿车的稳定性

警告：安装任何未经Silver Cross认可的配件可能会有安全隐患

警告：只使用Silver Cross提供或推荐的配件

警告：如果有部件损坏，破损或丢失，请不要使用本产品

警告：只使用Silver Cross提供的床垫

## 保养和维修

护理套件是供Balmoral婴儿车维修使用，参照保养说明书去保养你的Balmoral婴儿车。

## 保证书

所有的Silver Cross产品承诺12个月的产品质保期在使用您的Balmoral婴儿车之前请仔细阅读这些说明，并保留以备将来查用。

其他Silver Cross的配件包括：

遮太阳蓬罩  
寝具套装  
防灰罩  
挡雨罩

如果你有任何关于婴儿车的问题，  
请联络我们

## 英国公司

Silver Cross (UK) Limited,  
Micklethorn, Broughton,  
Skipton, North Yorkshire,  
United Kingdom, BD23 3JA

Tel: 0845 872 6900

## 上海公司

Silver Cross China, Room  
8404a, Block 8, Bridge 8  
Phase III, No. 550, Ju Men Road,  
Shanghai 200023, P. R. C  
中国上海市局门路550号八号桥三期8号楼8404a

Tel: 86-21-6339 1753

[www.silvercrossbaby.com](http://www.silvercrossbaby.com)

Notes:

---

---

Notes:

Silver Cross®

THE BEST START IN LIFE

Silver Cross (UK) Ltd, Micklethorn, Broughton, Skipton, North Yorkshire, BD23 3JA  
silvercrossbaby.com

SXBALMROAL08 13