

Silver Cross®

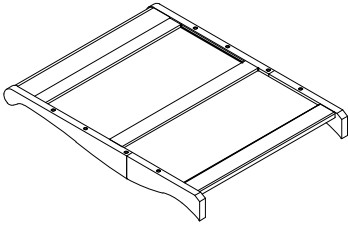
*New Nostalgia Sleigh Cot/Cot Bed  
Assembly Instructions*



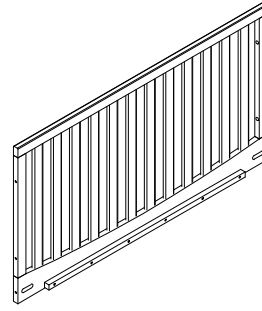
**IMPORTANT: THE ASSEMBLY OF THIS  
PRODUCT REQUIRES TWO PEOPLE**

**IMPORTANT: KEEP THESE INSTRUCTIONS  
FOR FUTURE REFERENCE**

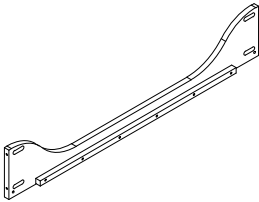
## Parts List :



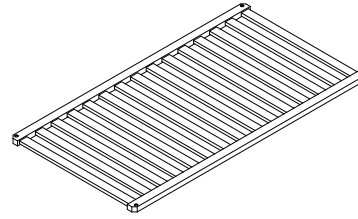
A = 2pcs (L&R)



B = 2pcs



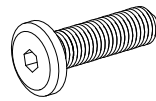
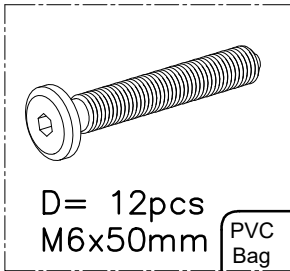
B1 = 2pcs



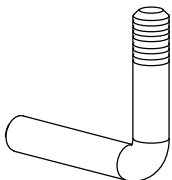
C = 1pc

## Fittings List :

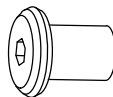
Retain all extra fittings for conversion into day and toddler Bed



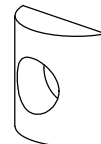
D1= 4pcs  
M6x13mm



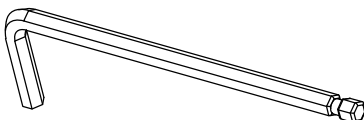
E = 4pcs



F = 4pcs



G= 11pcs

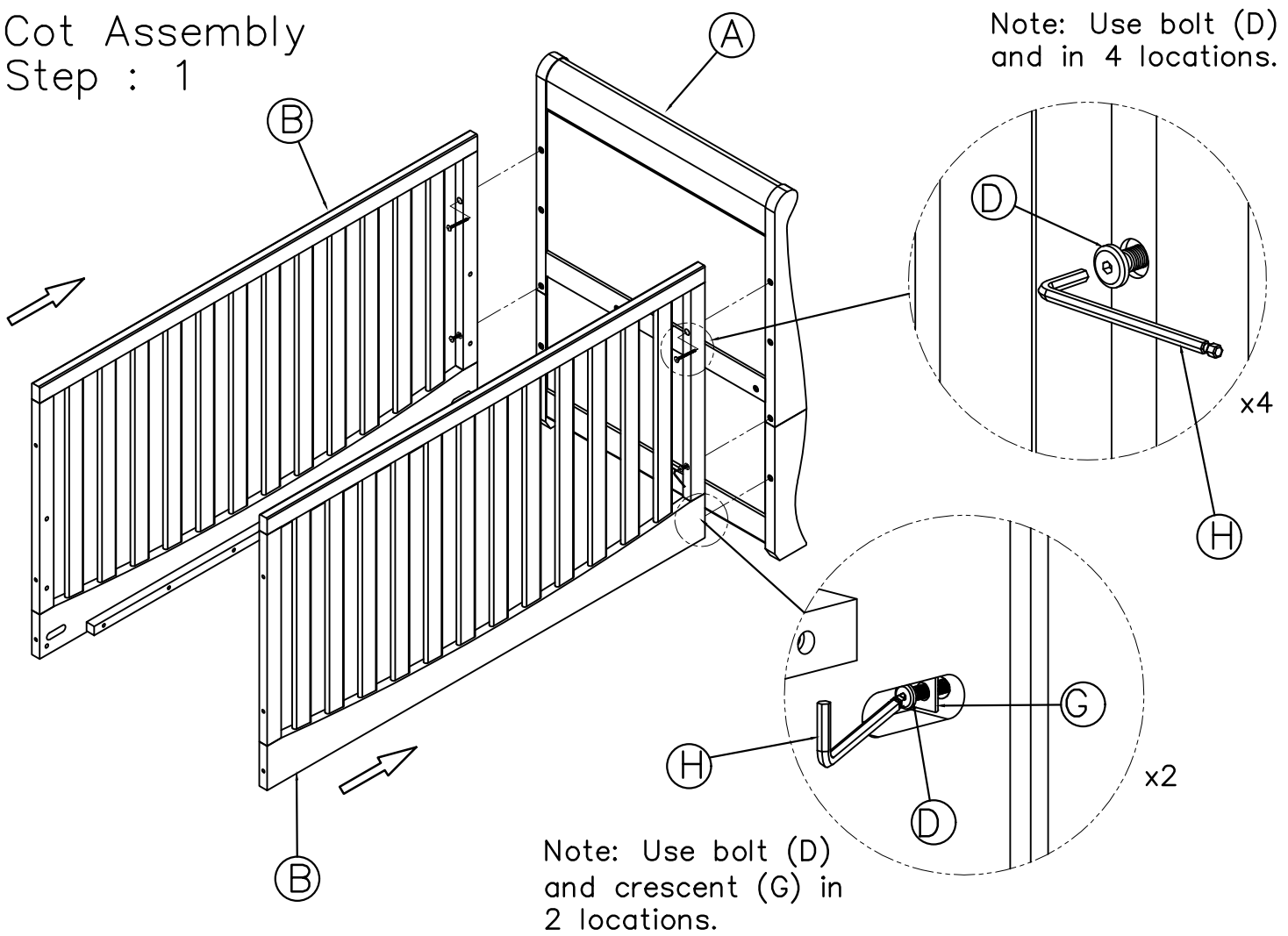


H = 1pc

# Cot Assembly

## Step : 1

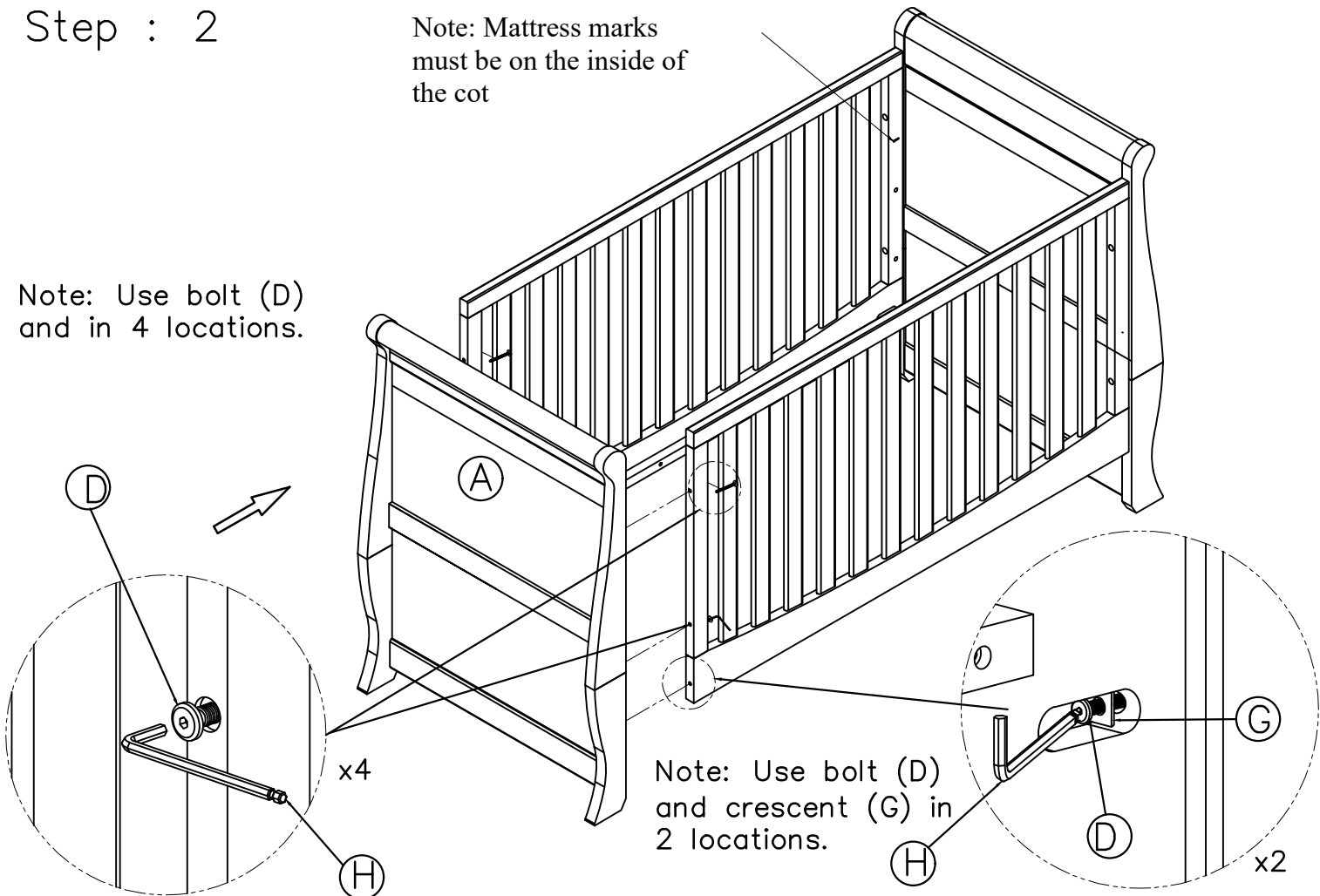
Note: Use bolt (D)  
and in 4 locations.



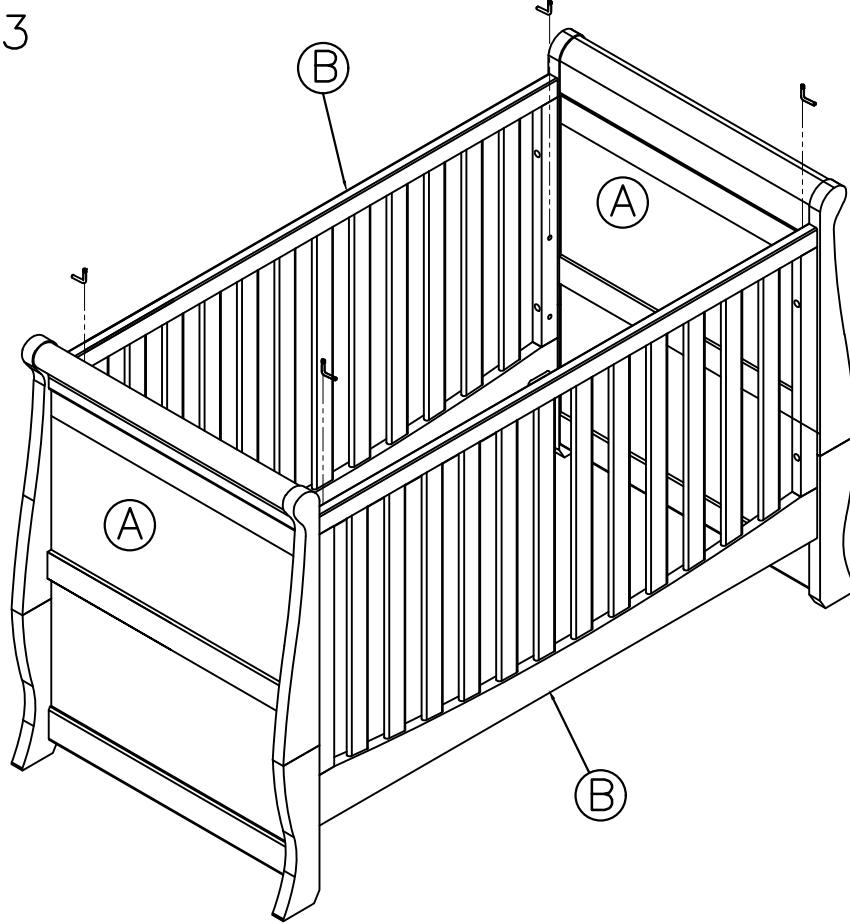
## Step : 2

Note: Mattress marks  
must be on the inside of  
the cot

Note: Use bolt (D)  
and in 4 locations.



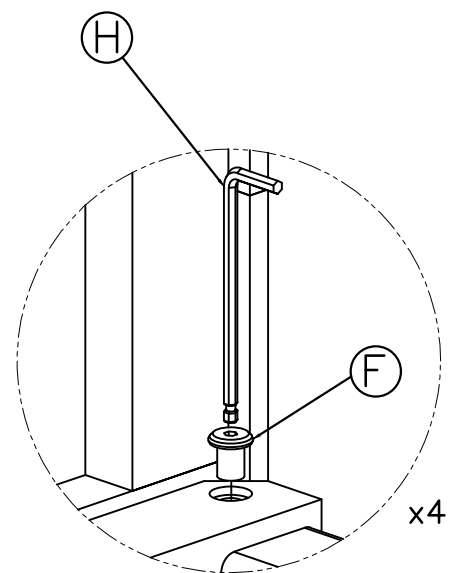
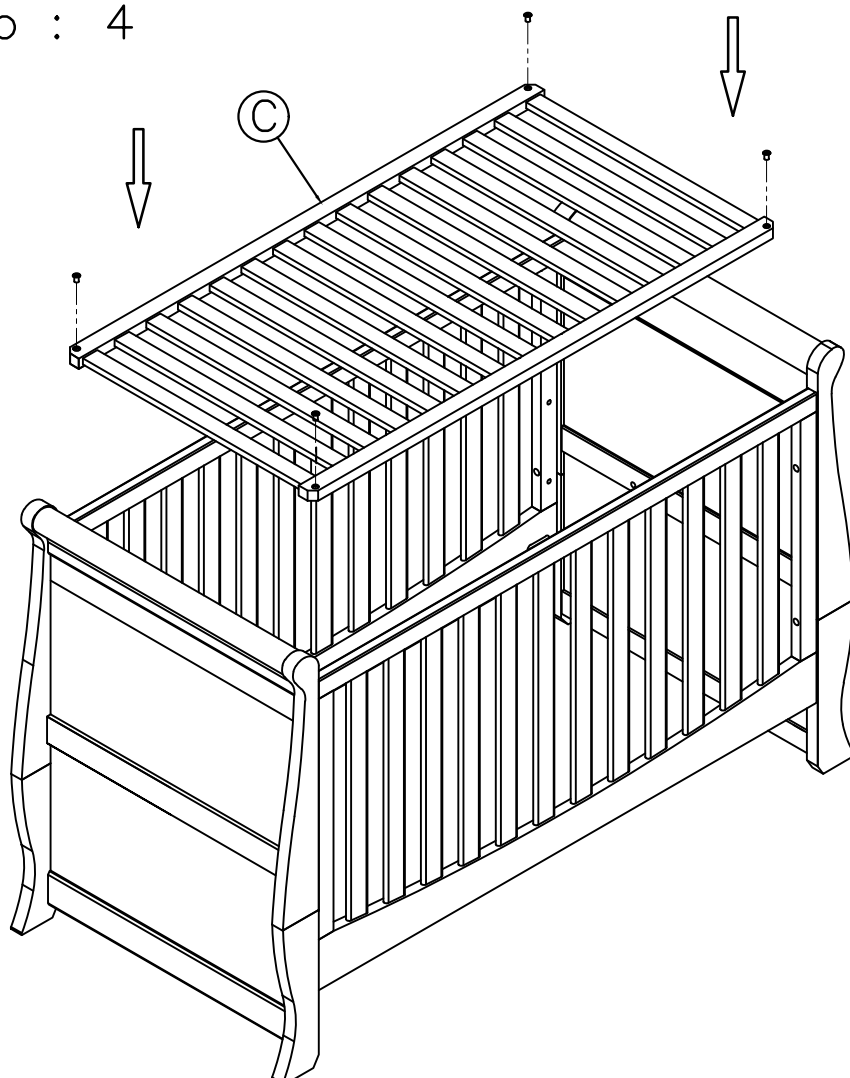
Step : 3



Note:

The mattress base can be fitted in three positions. The lowest position is the safest.

Step : 4

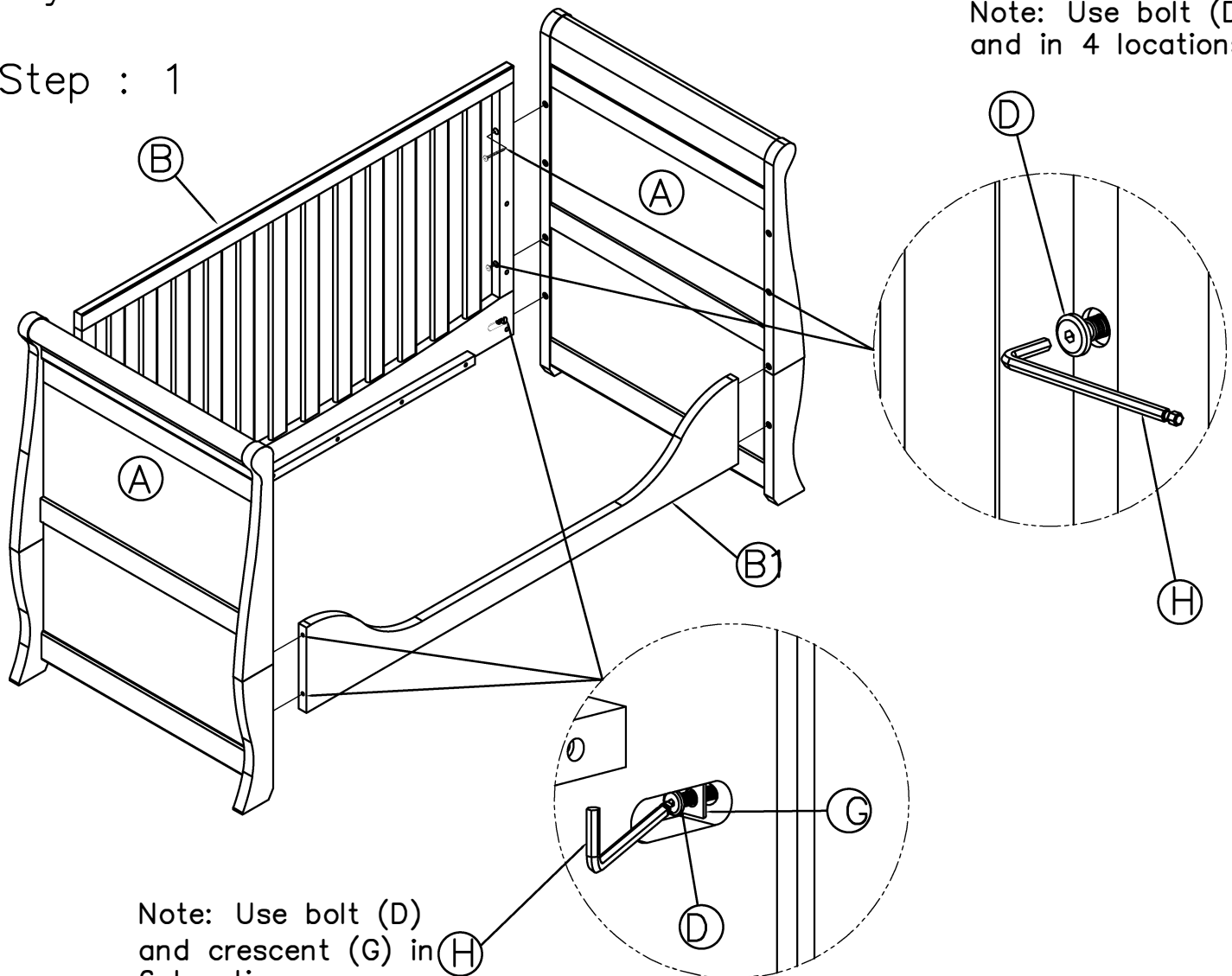


Step : 5

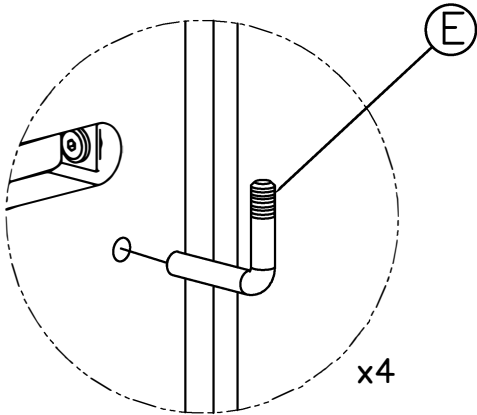
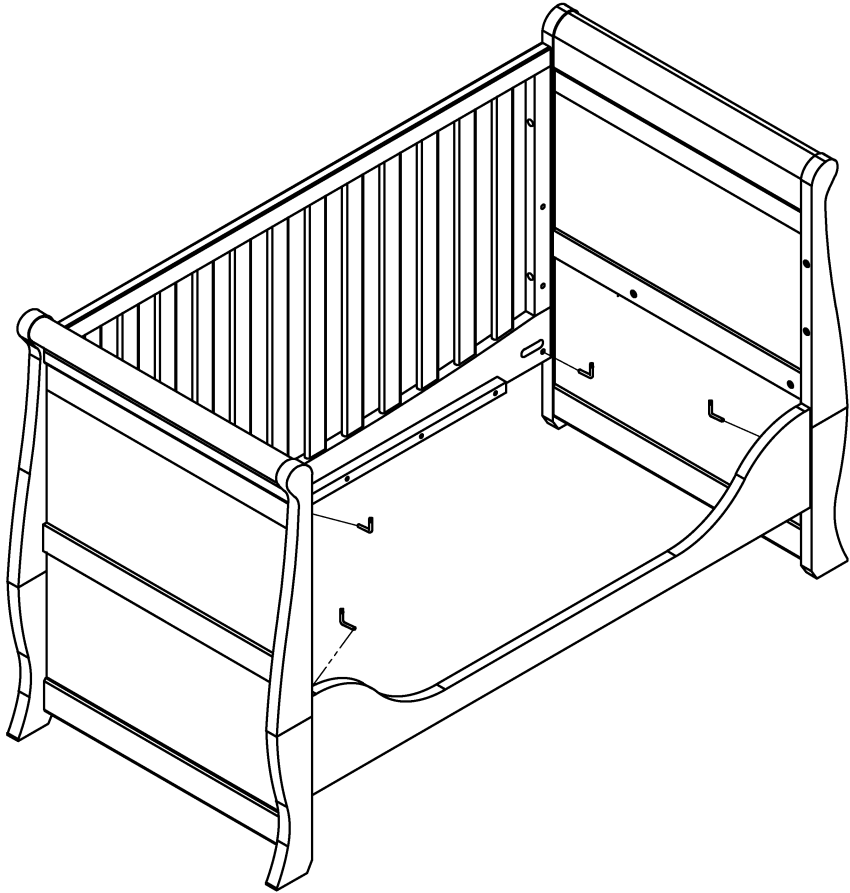


## Day Bed

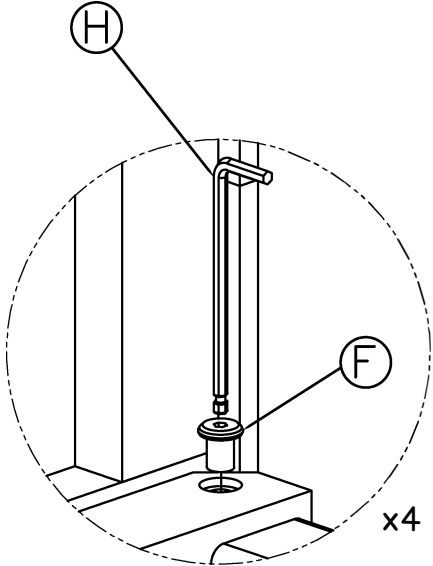
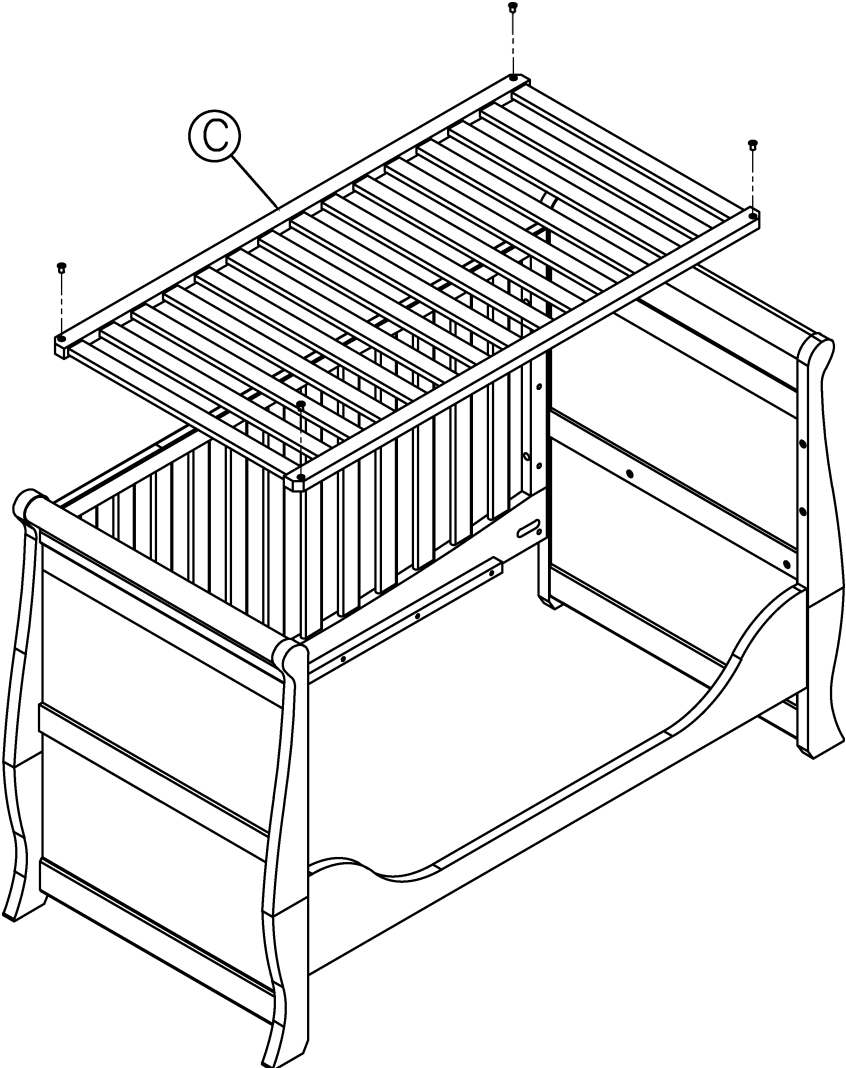
Step : 1



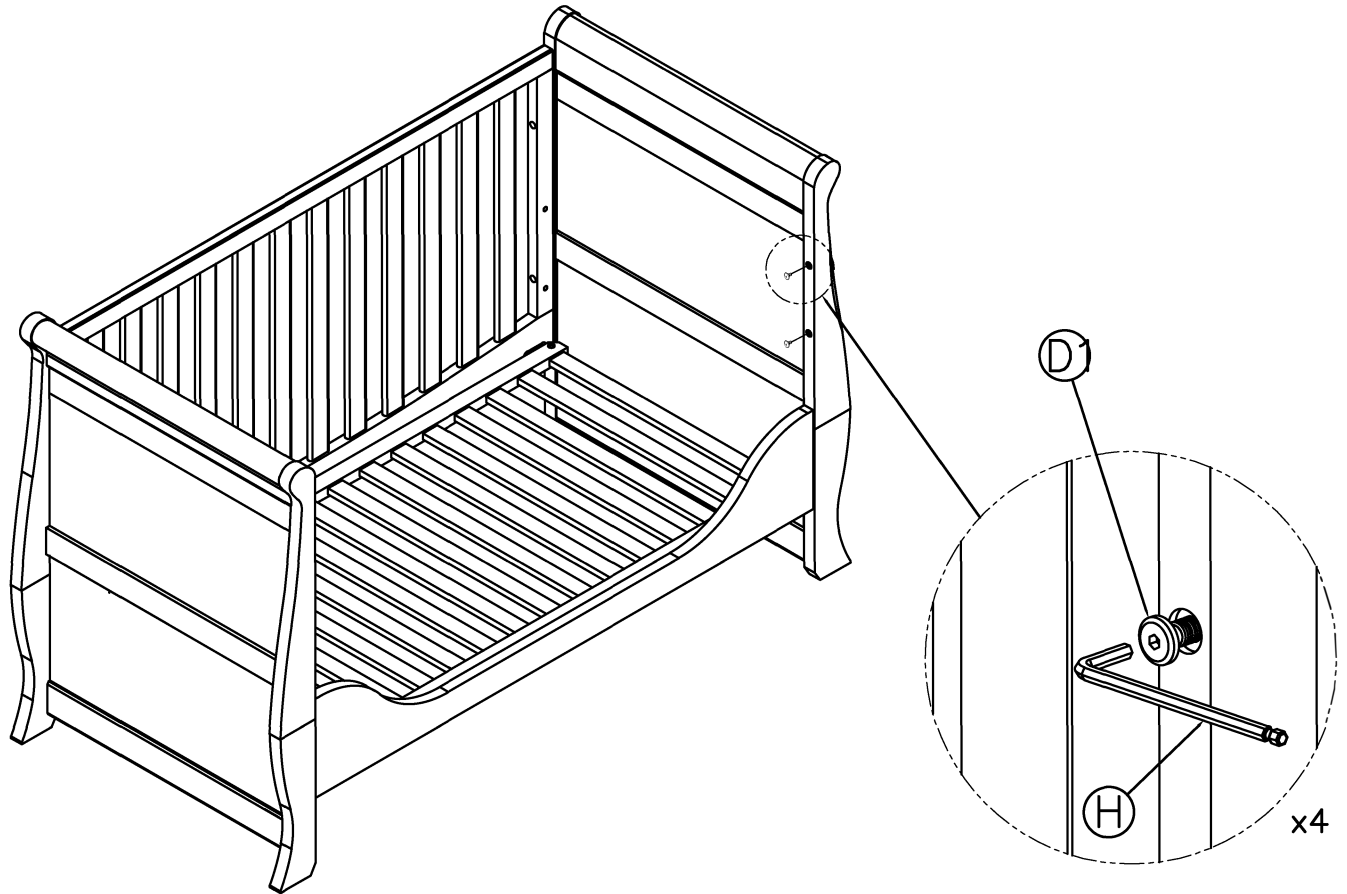
Step : 2



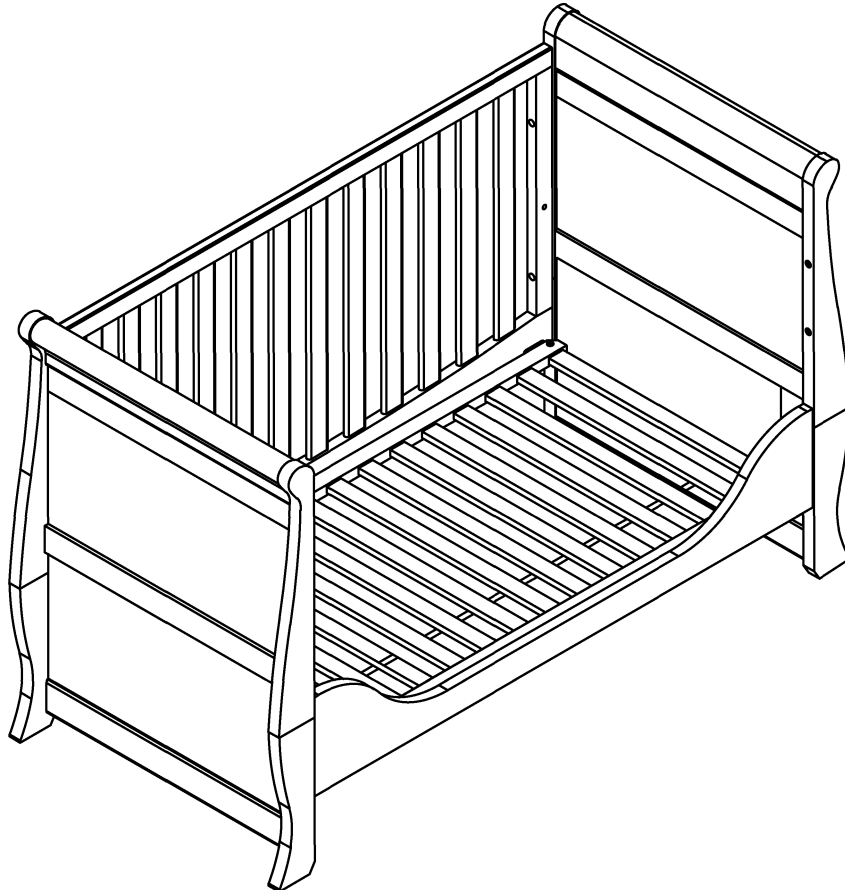
Step : 3



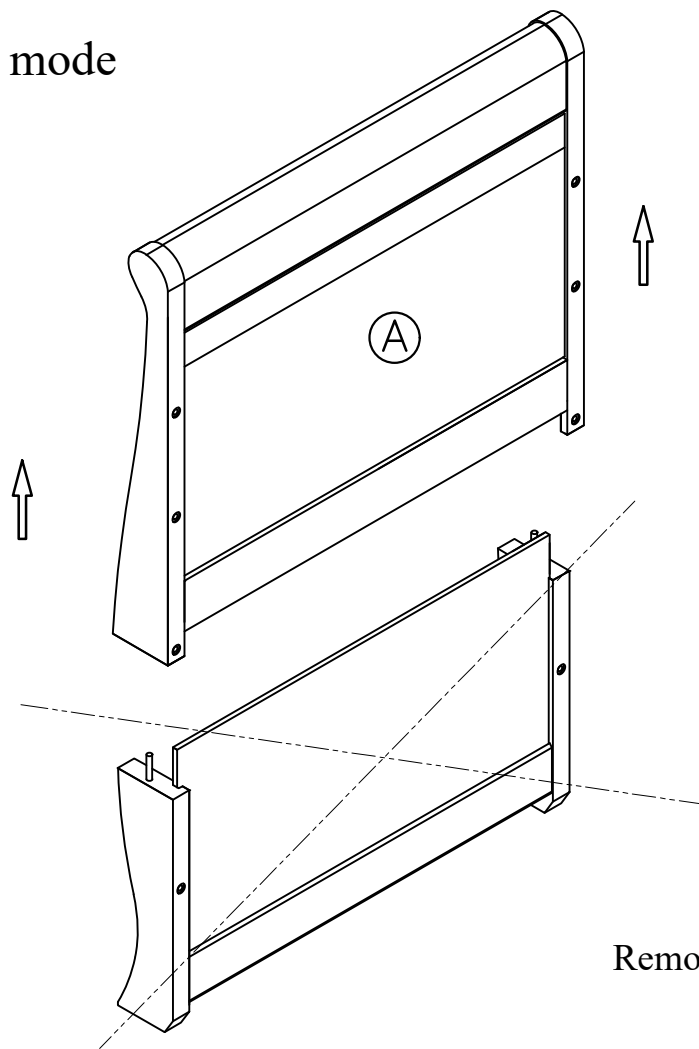
Step : 4



Step : 5

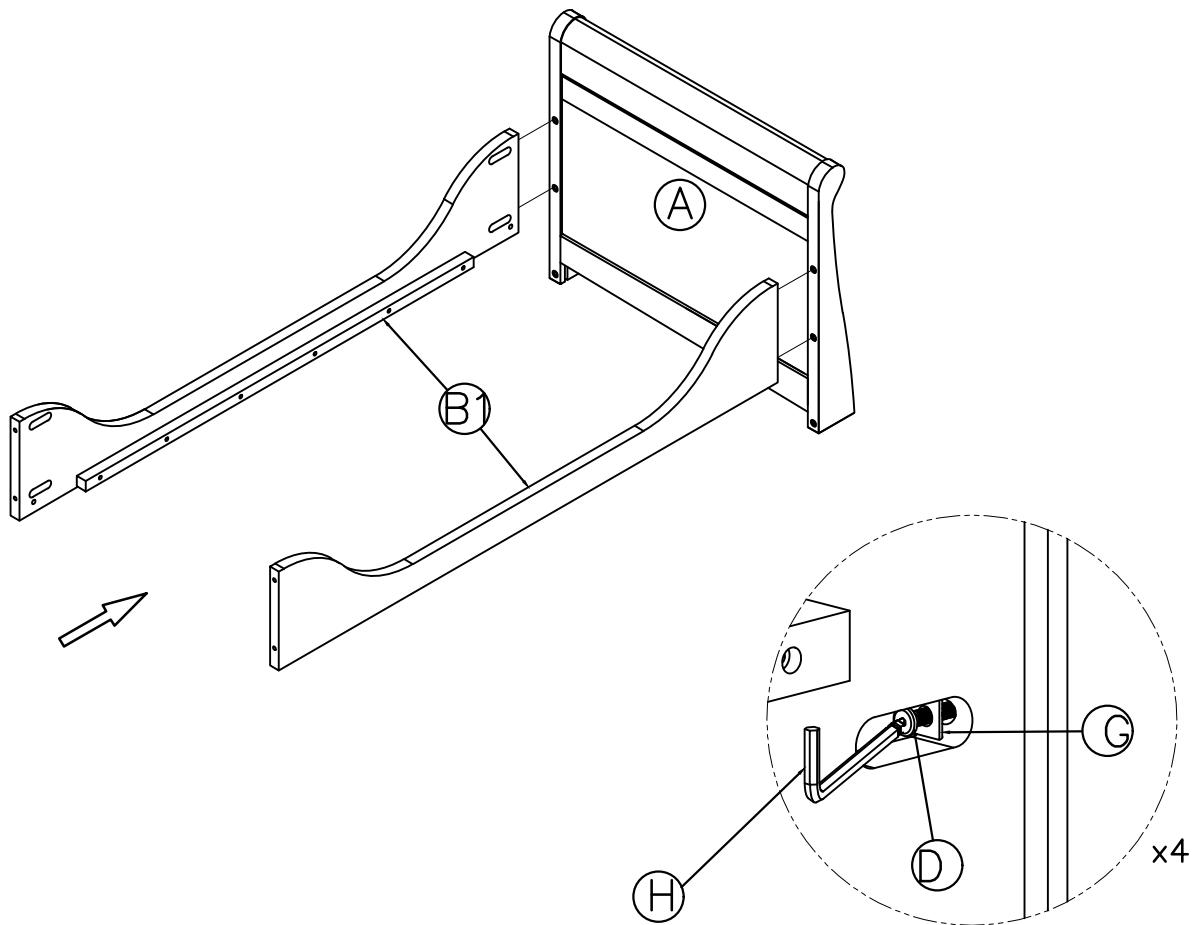


To convert into  
Toddler Bed mode  
Step : 1



Remove the bottom panel

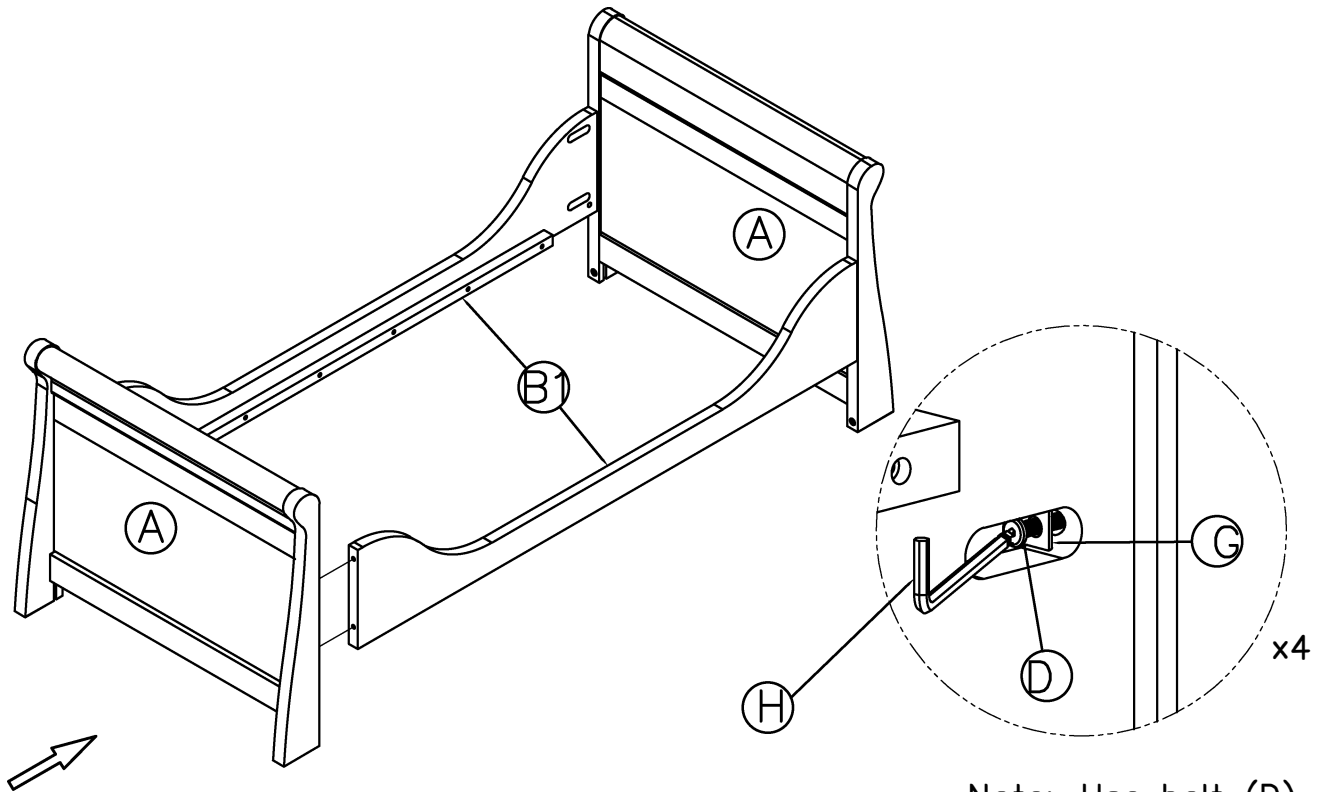
Step : 2



Note: Use bolt (D)  
and crescent (G) in  
4 locations.

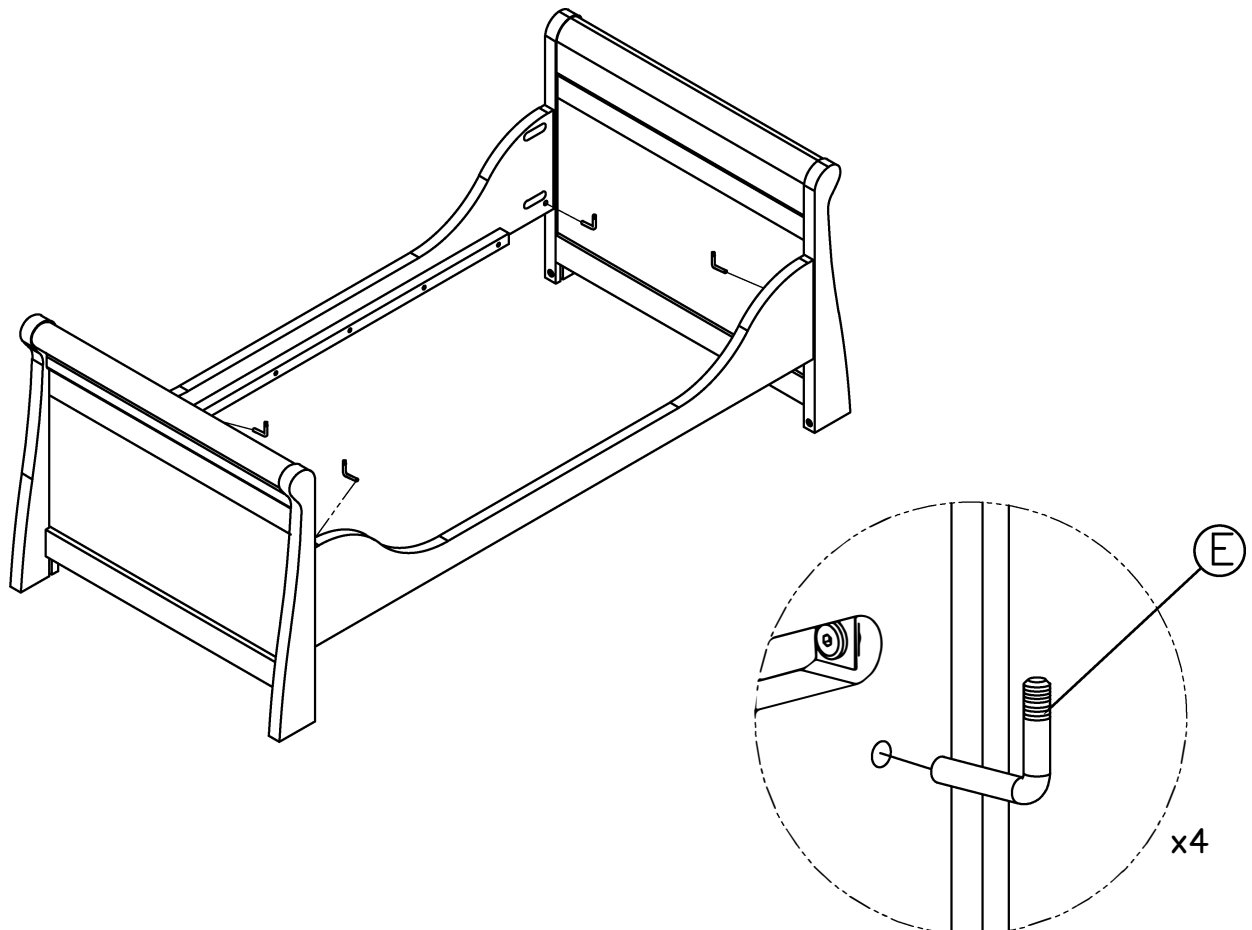


Step : 3

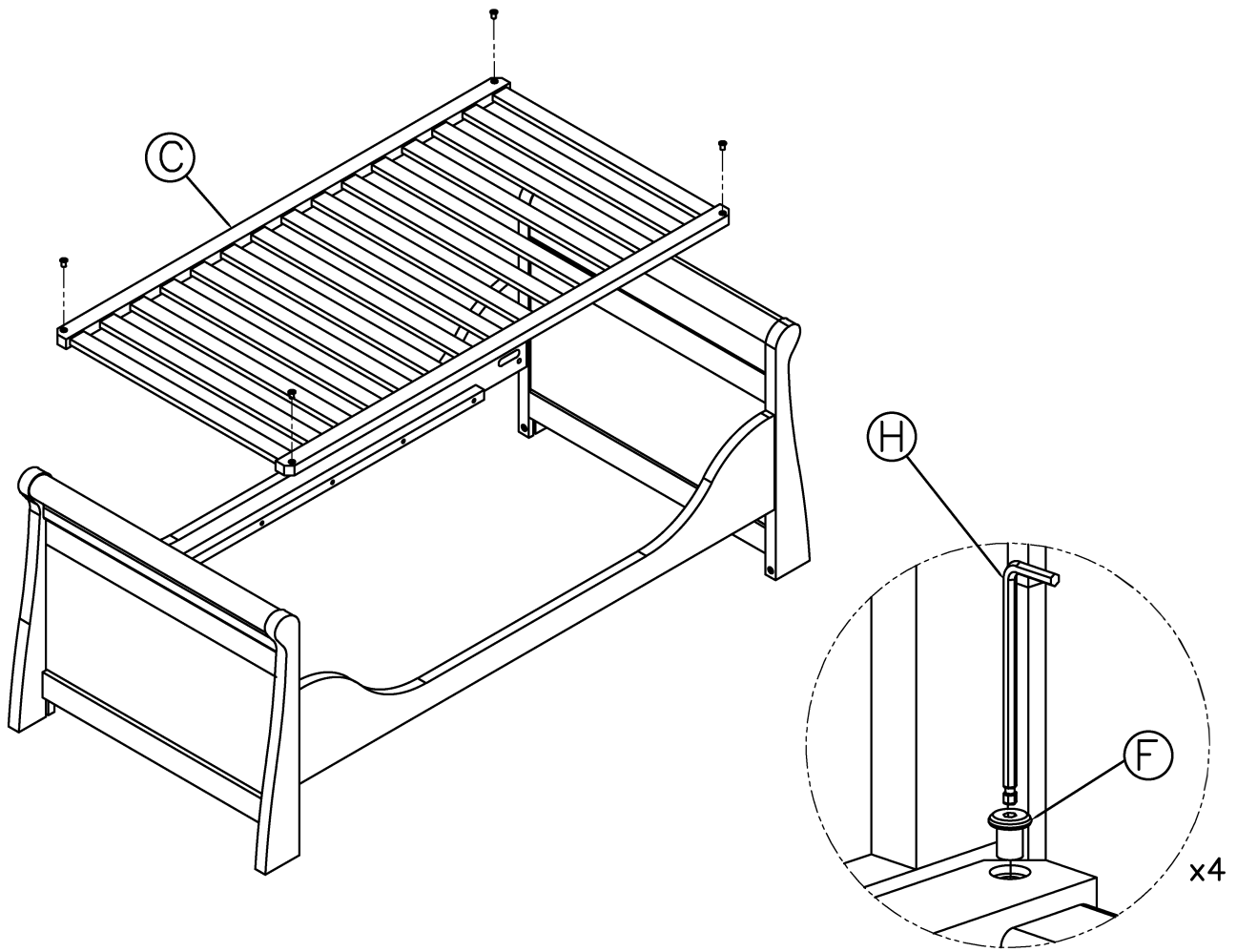


Note: Use bolt (D) and crescent (G) in 4 locations.

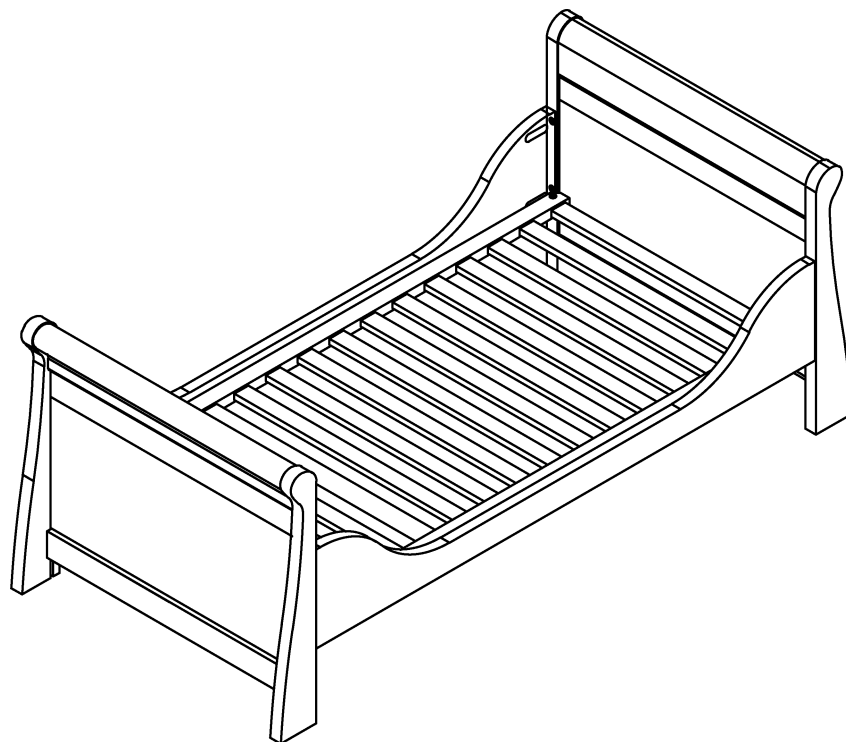
Step : 4



Step : 5



Step : 6



---

# Warnings & Instructions

## For Safe Use & Maintenance

### WARNING

Be aware of the risk of open fire and other sources of strong heat, such as electric bar gas fires, etc. in the near vicinity of the cot.

### WARNING

Do not use the cot/bed if any part is broken, torn or missing and use only spare parts approved by Silver Cross.

### WARNING

Do not leave anything in the cot or place the cot near to another product, which could provide a foothold or present a danger of suffocation or strangulation, e.g. strings, blinds, curtain cords, etc.

### WARNING

Do not use more than one mattress in the cot.

### WARNING

When converted into child's bed mode, do not place near heat sources, windows and other furniture.

The bed is designed to be dismantled for storage or transportation;

Any additional or replacement parts are obtained from the manufacturer or distributor.

All parts of the cot should be tightened correctly. Care should be taken to ensure that none of the fittings are loose or protruding as this could trap parts of the body or clothing, ribbons, drawstrings, necklaces etc., and pose a risk of strangulation.

The lowest position of the cot base is the safest position. You should use the cot in this position as soon as your baby is old enough to sit up.

The thickness of the mattress shall be such that the internal height (surface of the mattress to the upper edge of the cot frame) is at least 500 mm in the lowest position of the cot base and at least 200 mm in the highest position of the cot base.

The thickness of mattress shall not exceed 100 mm. We recommend the use of a 400 size mattress (1400 x 700mm).

The mattress length and width shall be such that the gap between the mattress and the sides and ends does not exceed 30 mm.

Your cot/bed may be cleaned with a damp cloth. Never use abrasives or bleach.

Thoroughly dry immediately after cleaning.

All assembly fittings should always be tightened properly and all fittings should be checked regularly and re-tightened as necessary.

To prevent injuries from falls, when a child is able to climb out of the cot, it should no longer be used for that child.

This cot bed is intended for children aged from birth to 4 years approximately. When converted into a COT bed it conforms to BS 8509:2008+A1:2011.

Children are likely to play, bounce, jump and climb on beds, therefore the child's bed should not be placed too close to other furniture or windows, blind cords, curtain pulls or other strings or cords, and should be placed either tight to any wall or have a gap of 300mm between the wall and the side of the bed.



THE BEST START IN LIFE

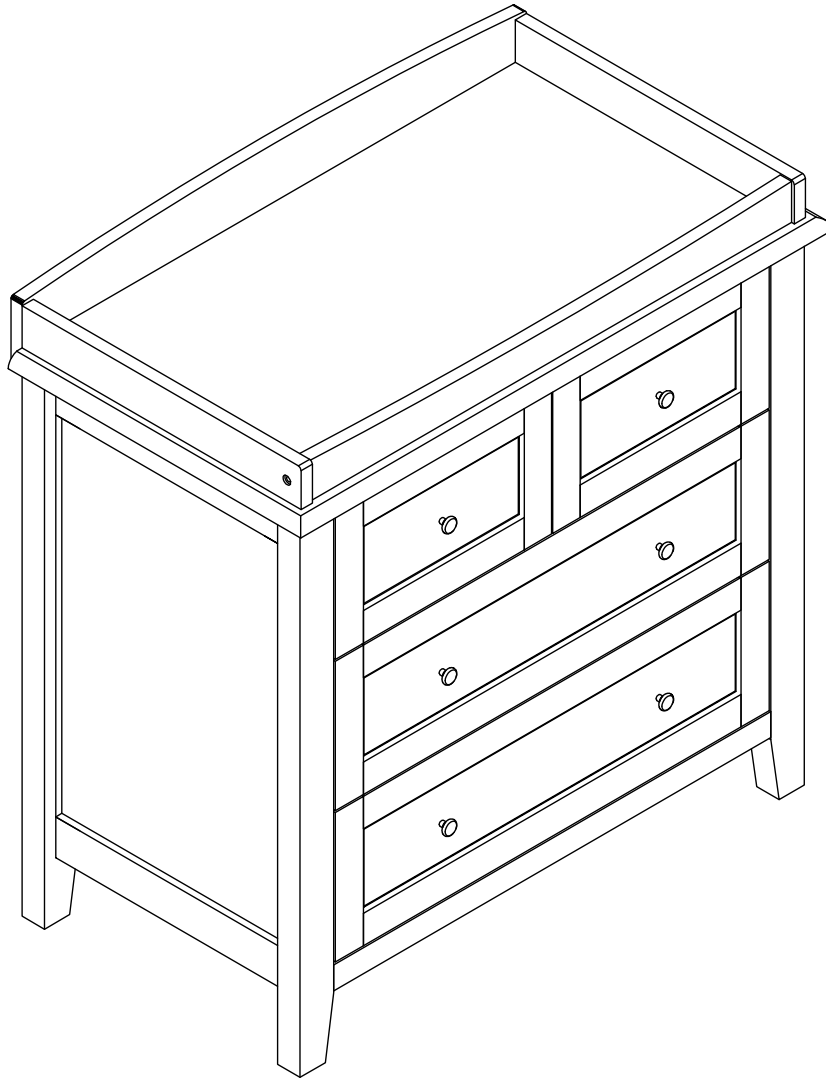
Silver Cross (UK) Ltd, Micklethorn, Broughton, Skipton, North Yorkshire, BD23 3JA

[silvercrossbaby.com](http://silvercrossbaby.com)

Silver Cross®

THE BEST START IN LIFE

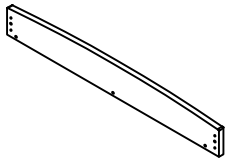
*New Nostalgia Dresser*  
*Assembly Instructions*



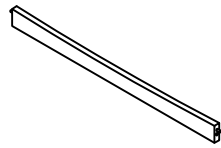
**IMPORTANT: THE ASSEMBLY OF THIS  
PRODUCT REQUIRES TWO PEOPLE**

**IMPORTANT: RETAIN FOR FURNITURE REFERENCE  
READ CAREFULLY**

# Parts List :



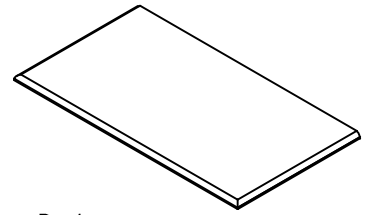
A = 1pc



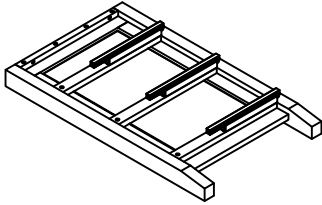
A1 = 1pc



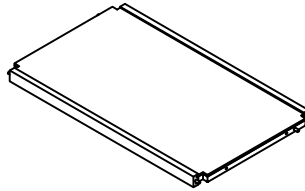
A2 = 2pcs (L&R)



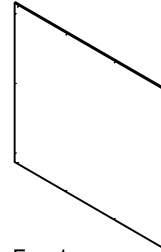
B = 1pc



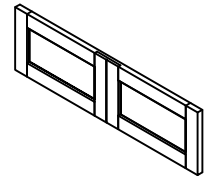
C = 2pcs (L&R)



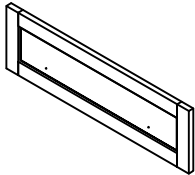
D = 1pc



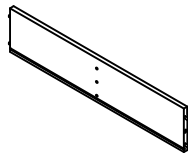
E = 1pc



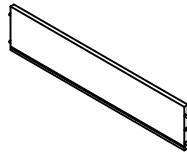
F = 1pc



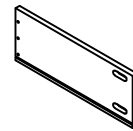
F1 = 2pcs



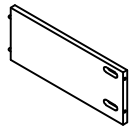
F2 = 1pc



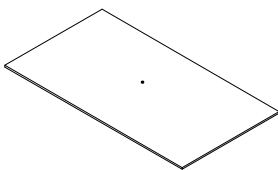
F3 = 2pcs



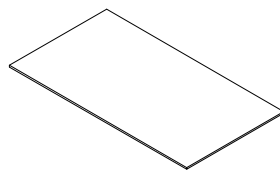
F4 = 6pcs (L&R)



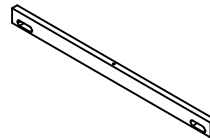
F5 = 1pc



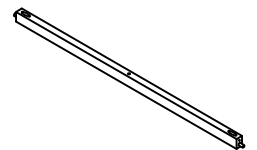
F6 = 1pc



F7 = 2pcs



G = 1pc



G1 = 1pc

# Fittings List :



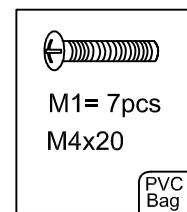
K= 20pcs  
M6x30mm



K1= 18pcs  
M6x40mm



M= 2pcs  
M4x30



M1= 7pcs  
M4x20

PVC  
Bag



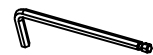
Q= 14pcs  
M4x15



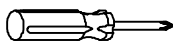
Q1= 4pcs  
M4x30



L= 16pcs



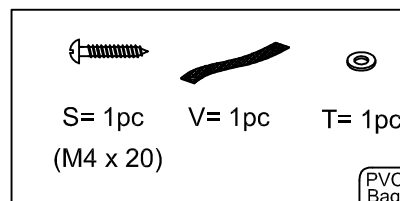
N= 1pc



O= 1pc



P= 6pcs



S= 1pc  
(M4 x 20)



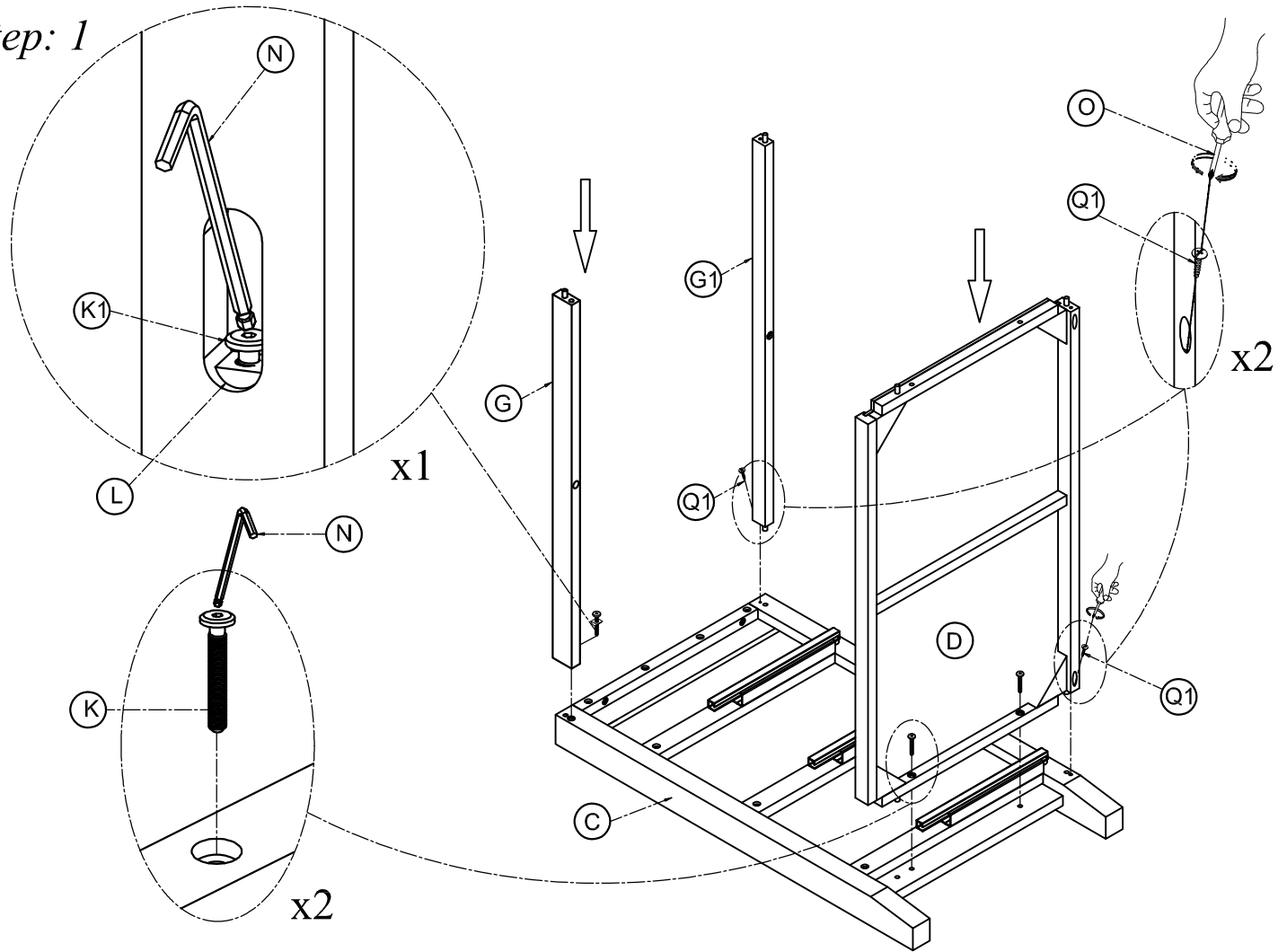
V= 1pc



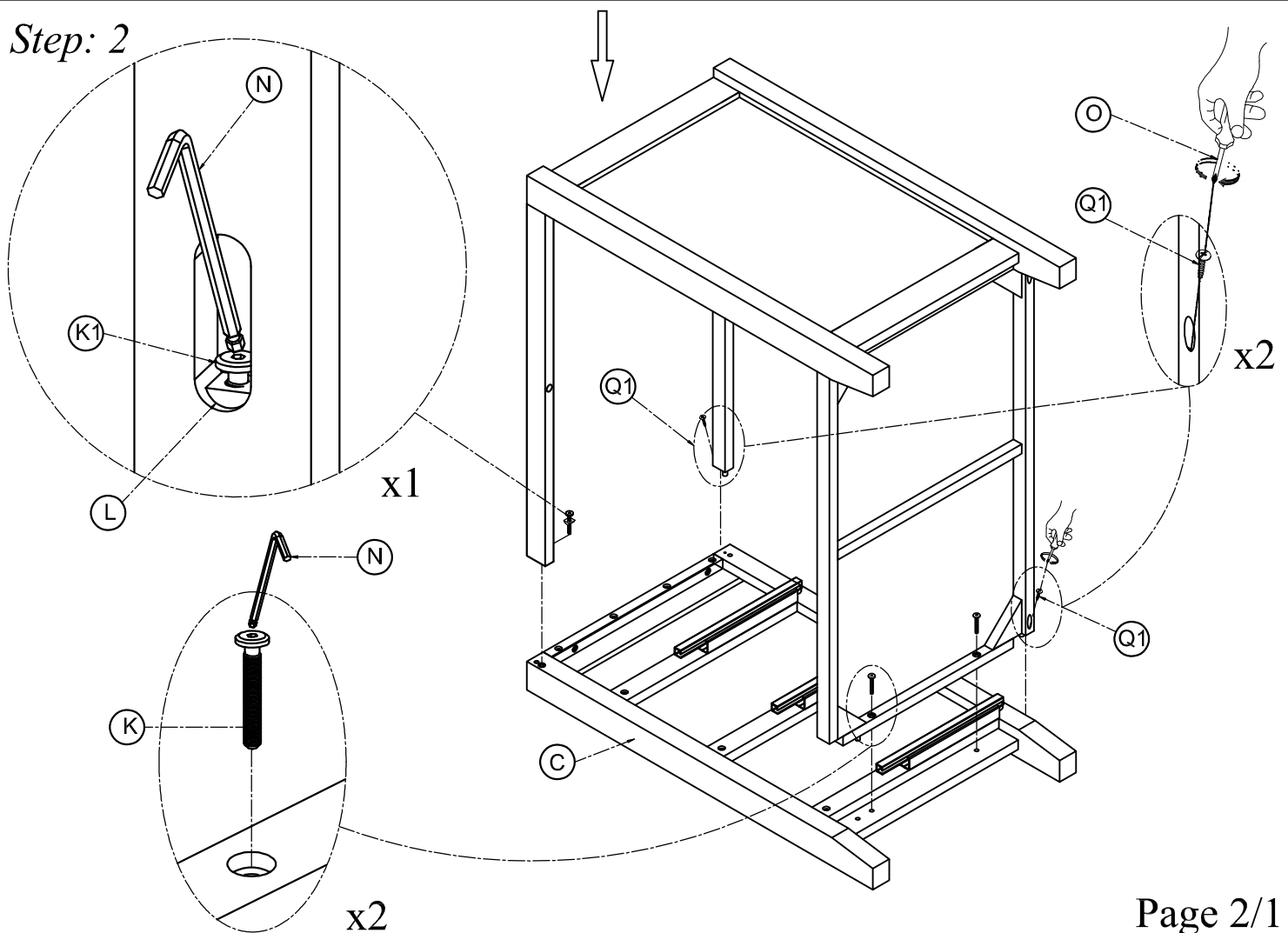
T= 1pc

PVC  
Bag

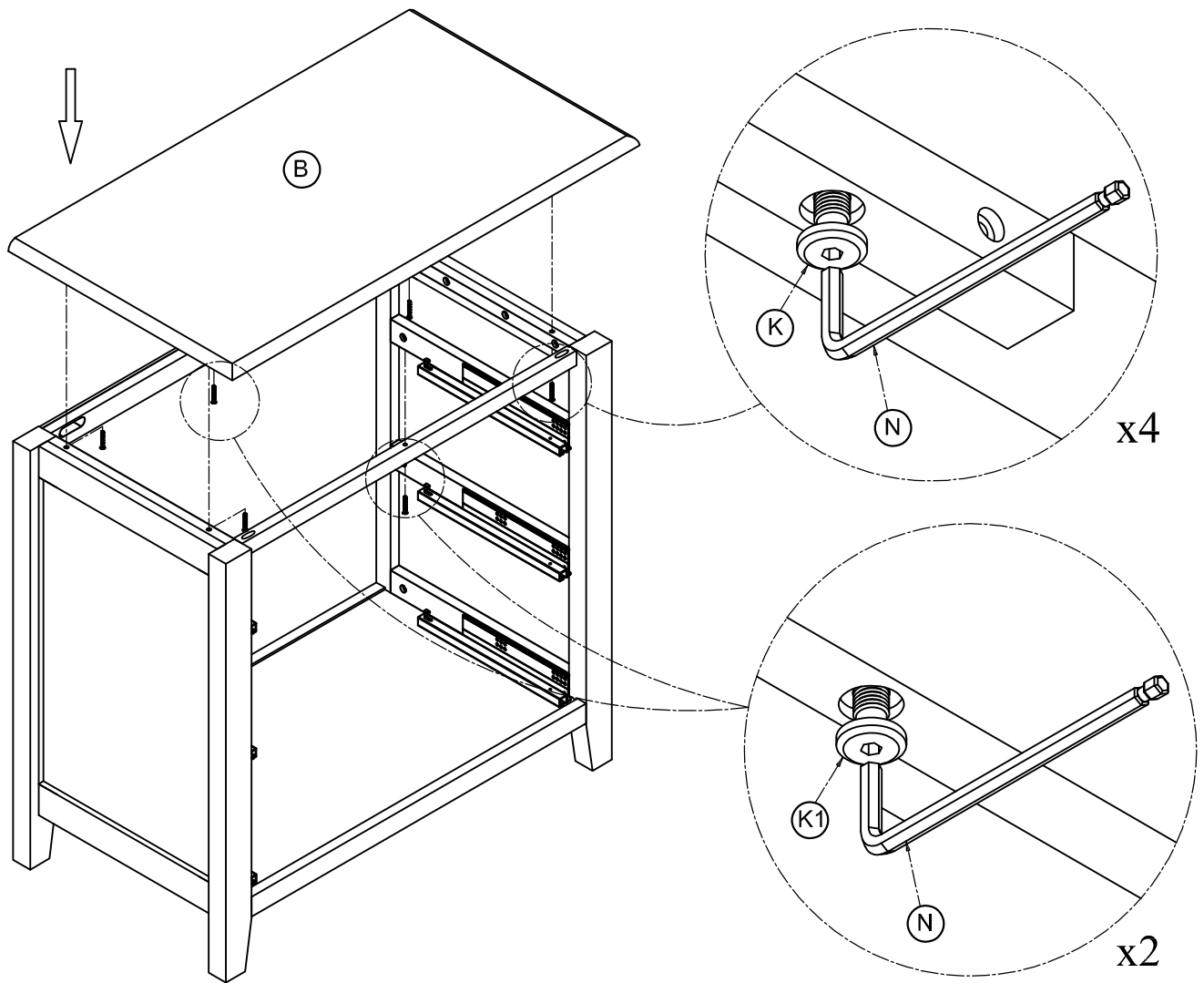
Step: 1



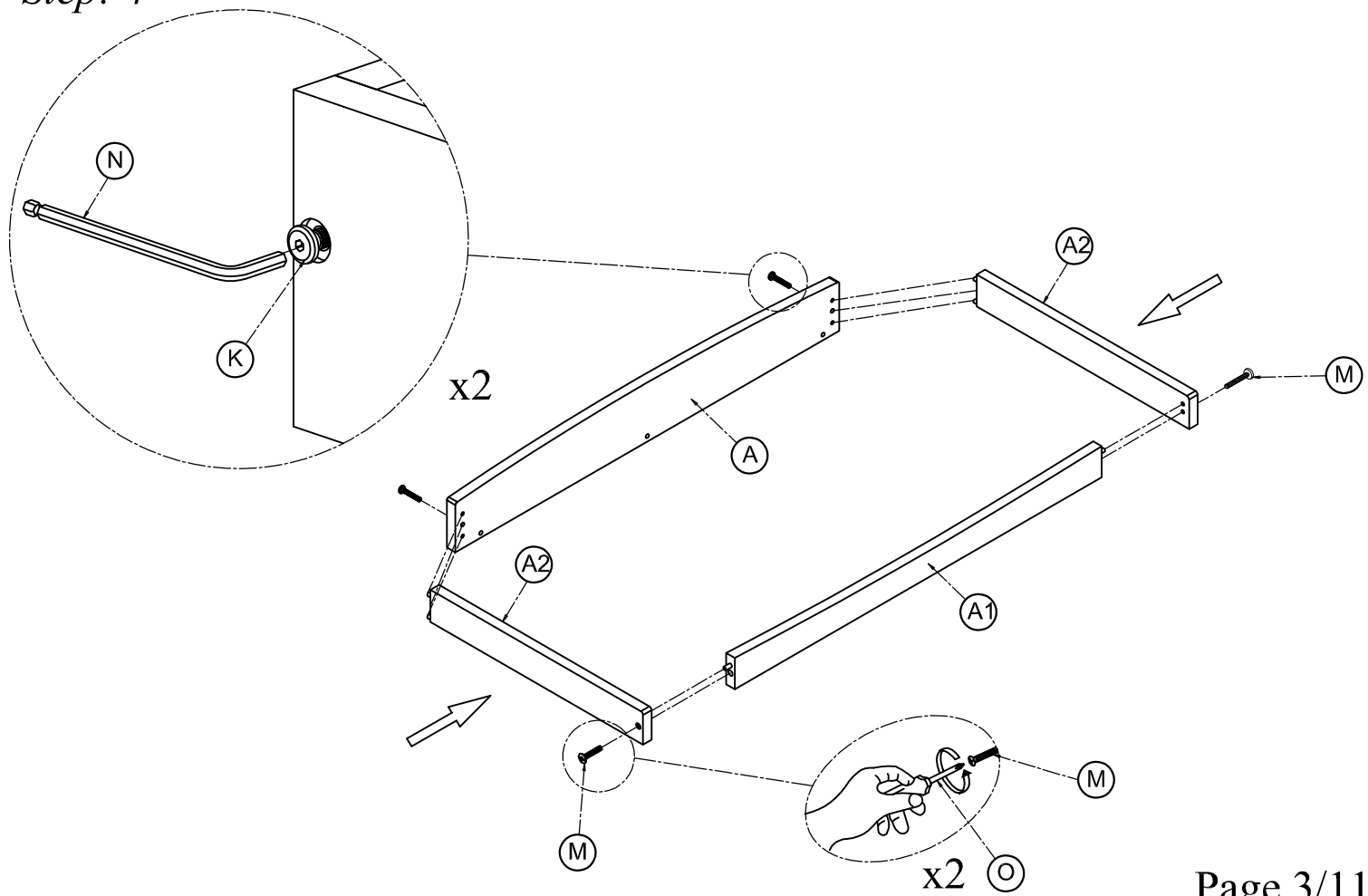
Step: 2



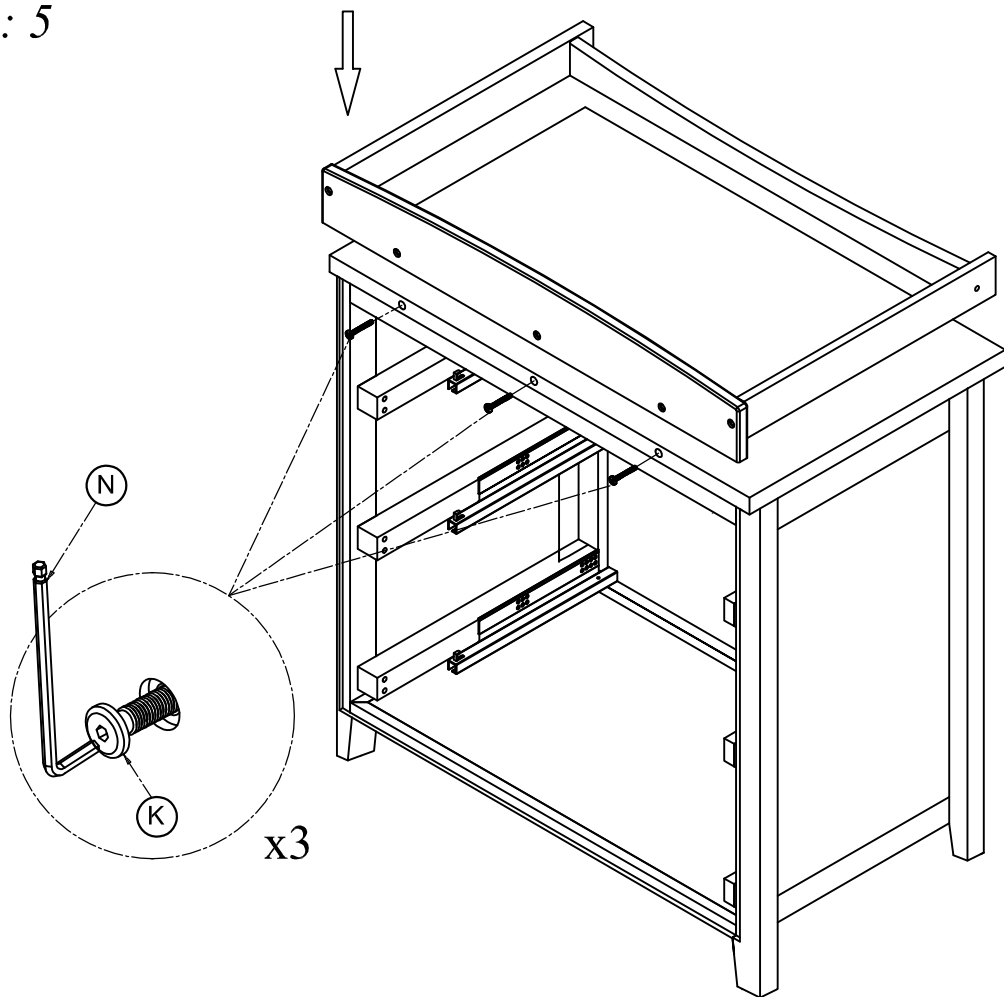
Step: 3



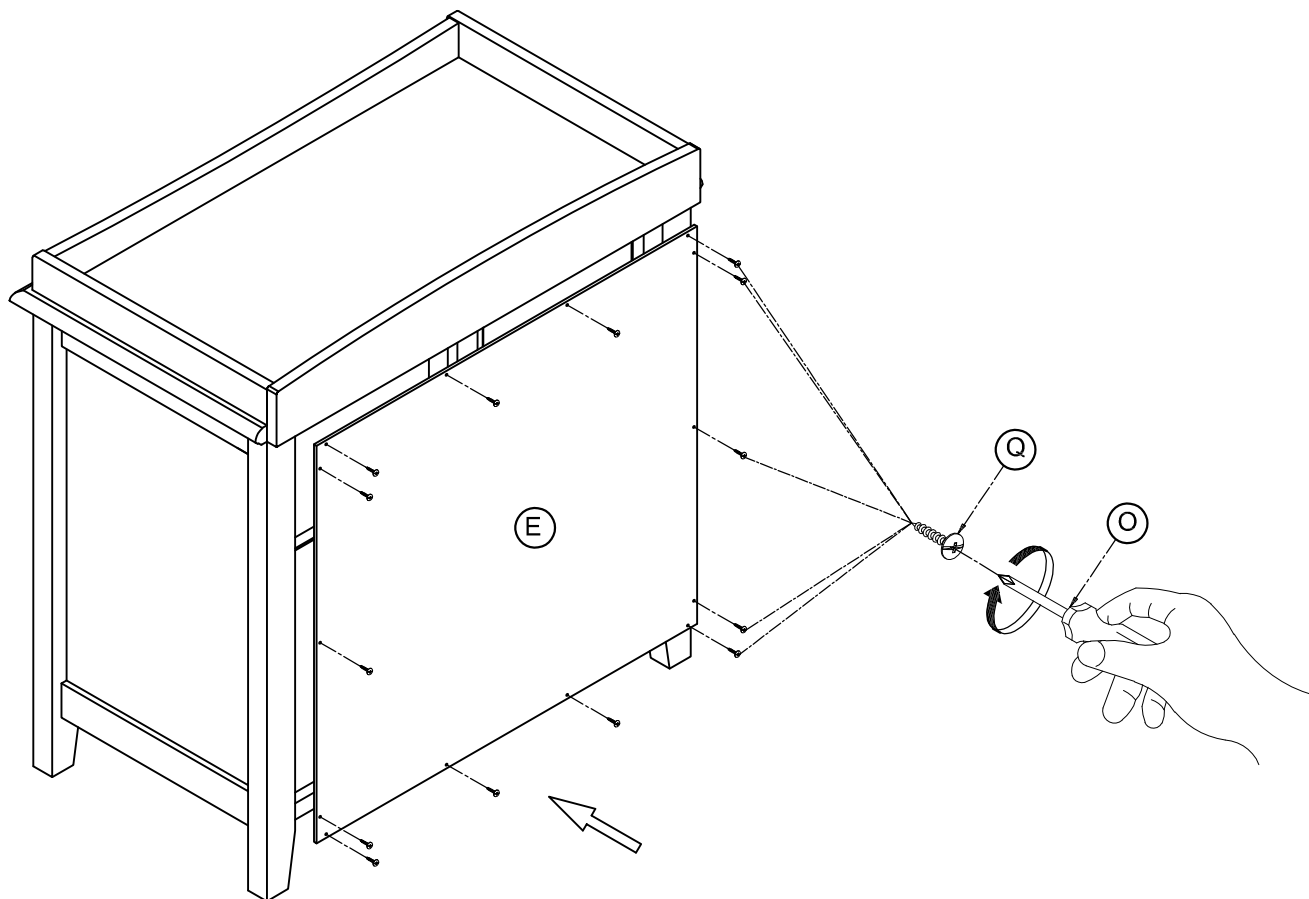
Step: 4



Step: 5

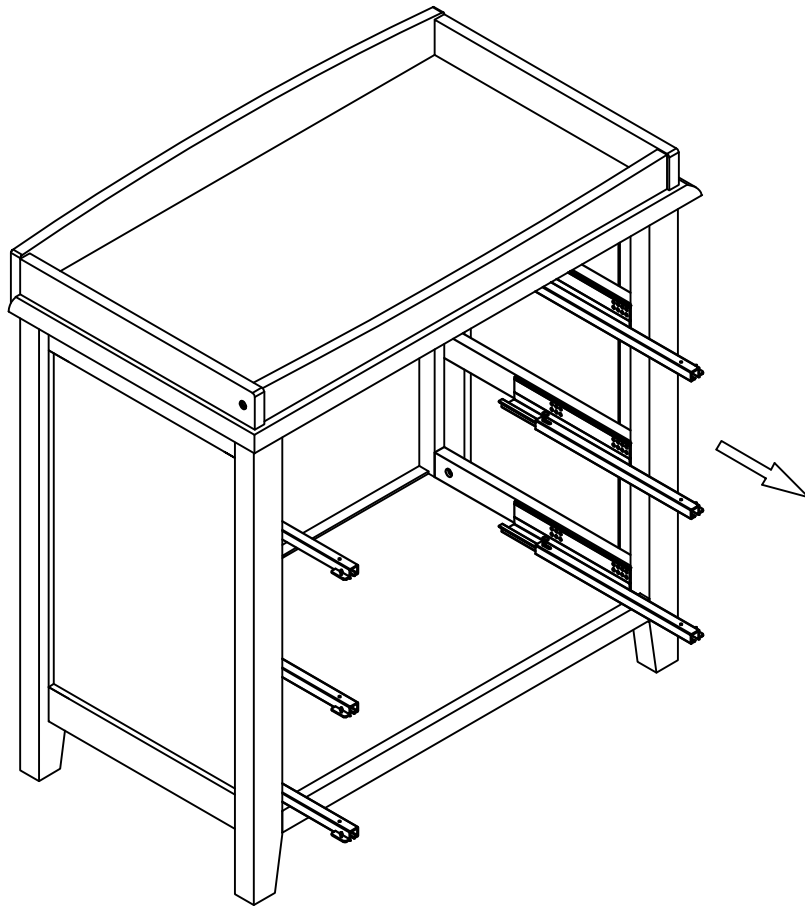


Step: 6

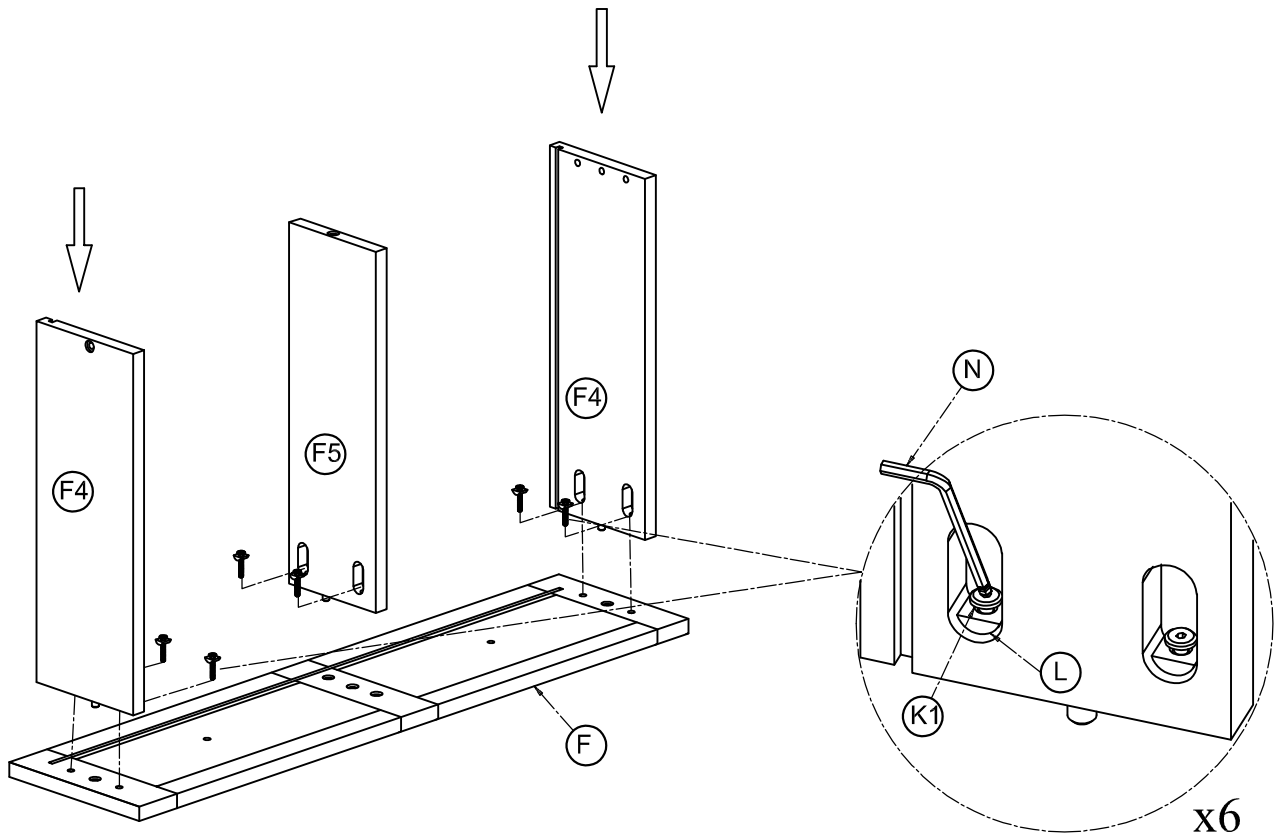




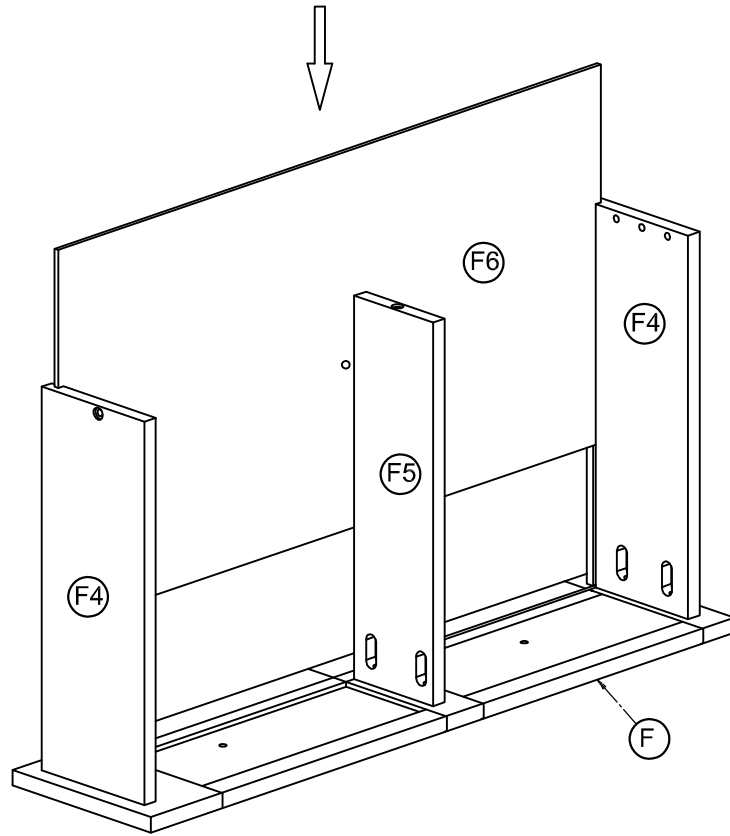
Step: 7



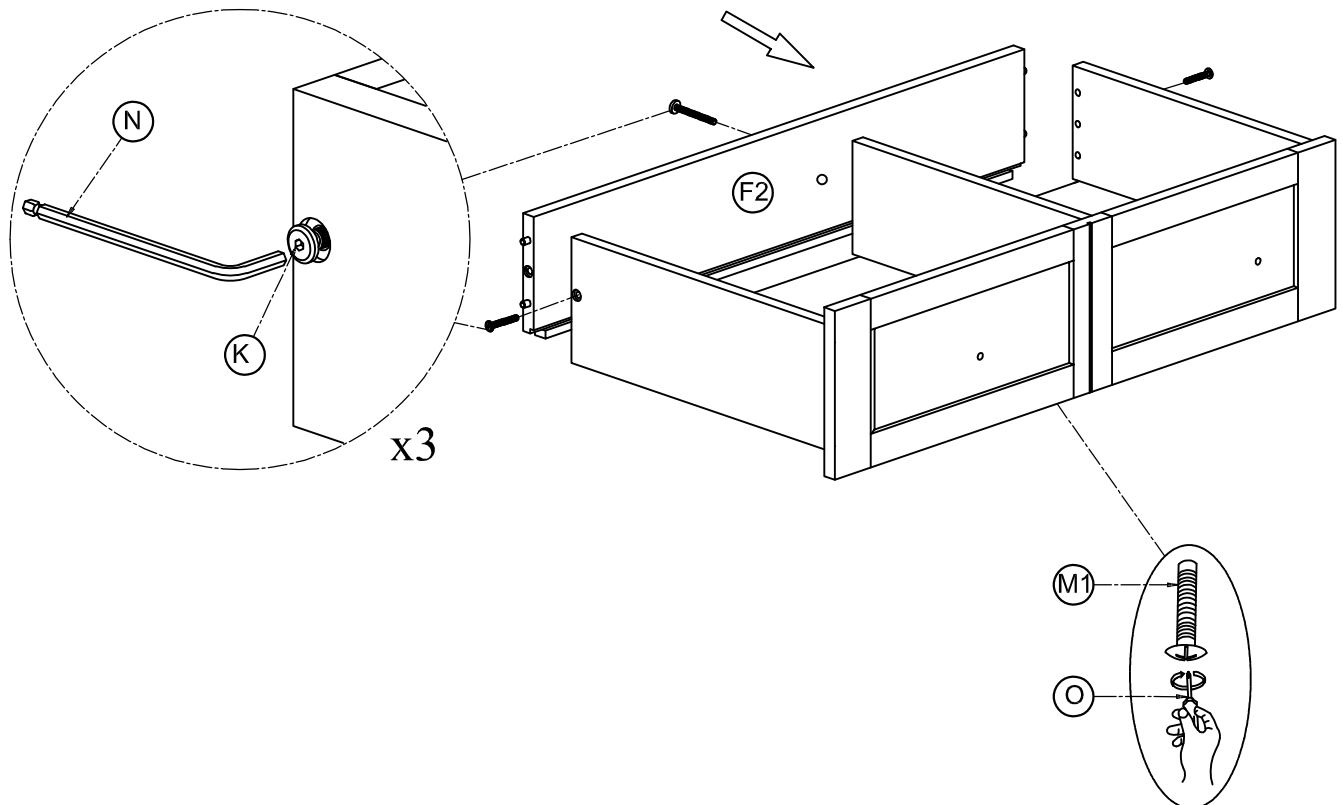
Step 8: x1 Drawer



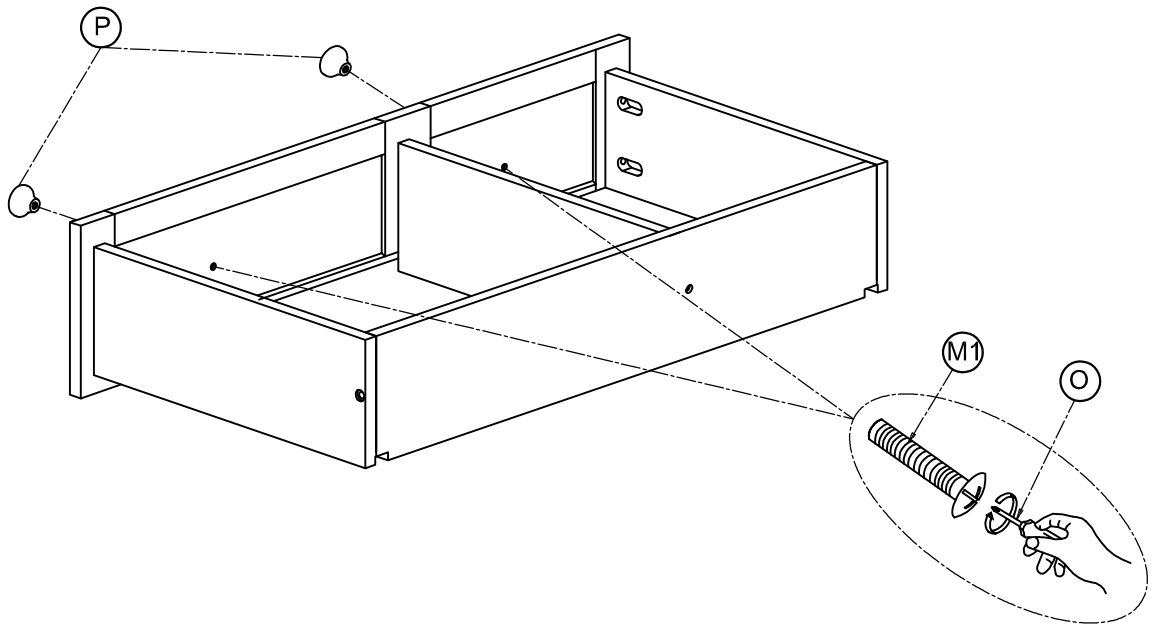
Step: 9



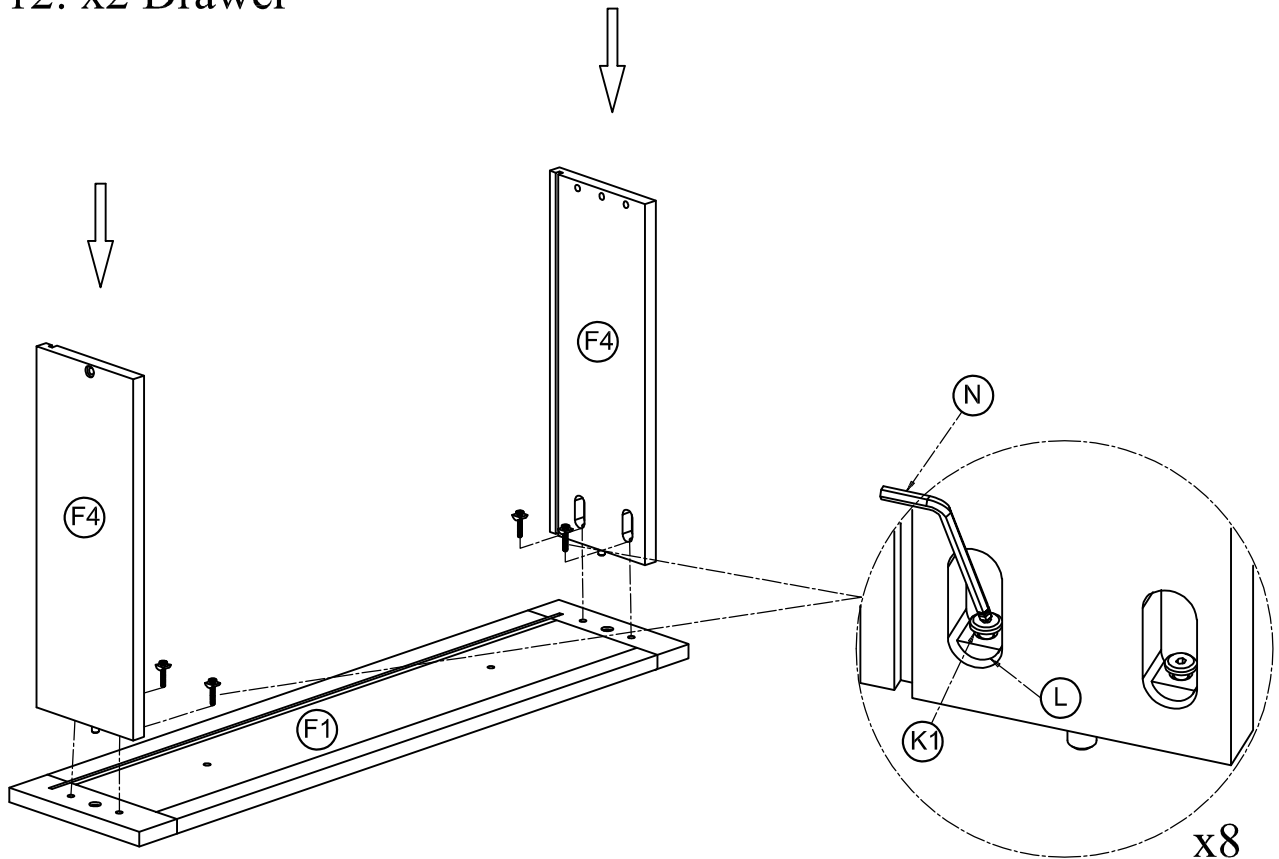
Step: 10



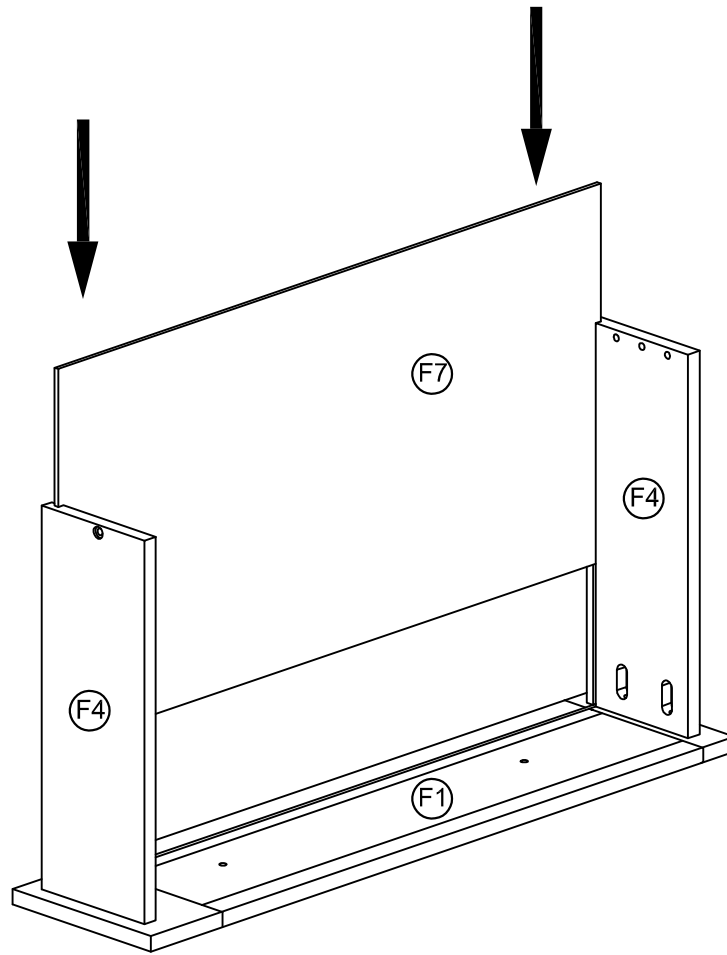
Step: 11



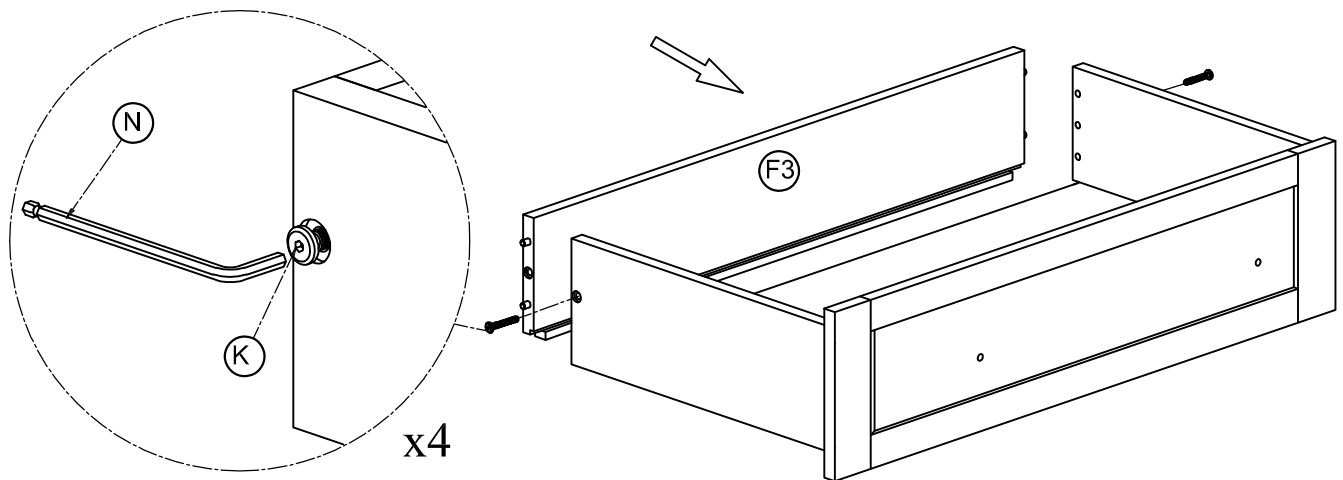
Step 12: x2 Drawer



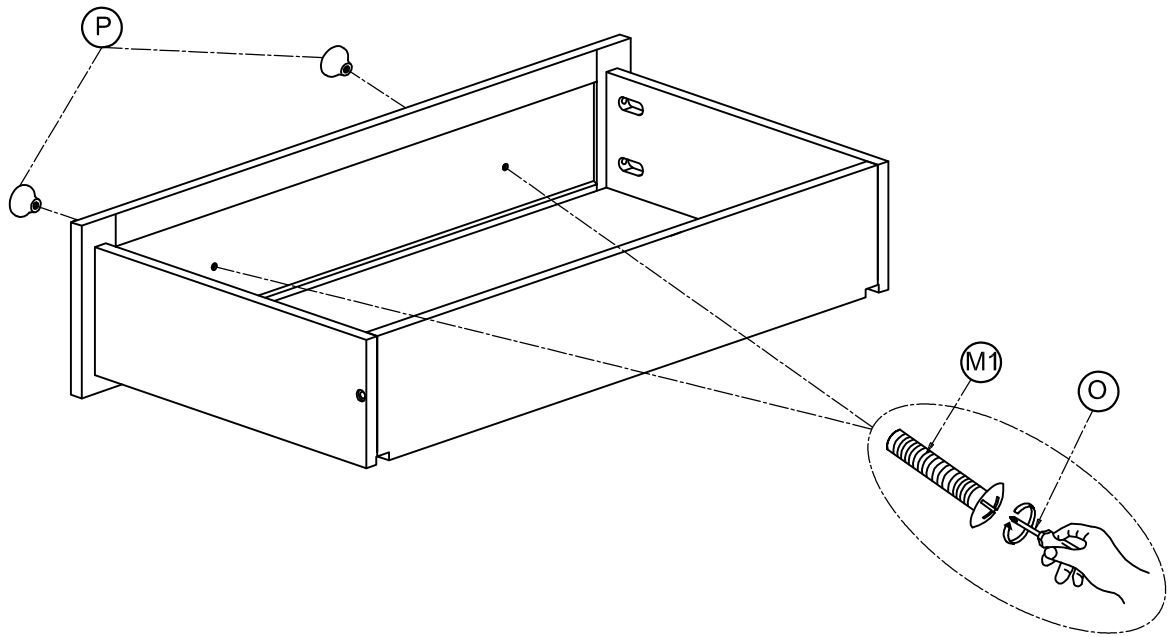
Step: 13



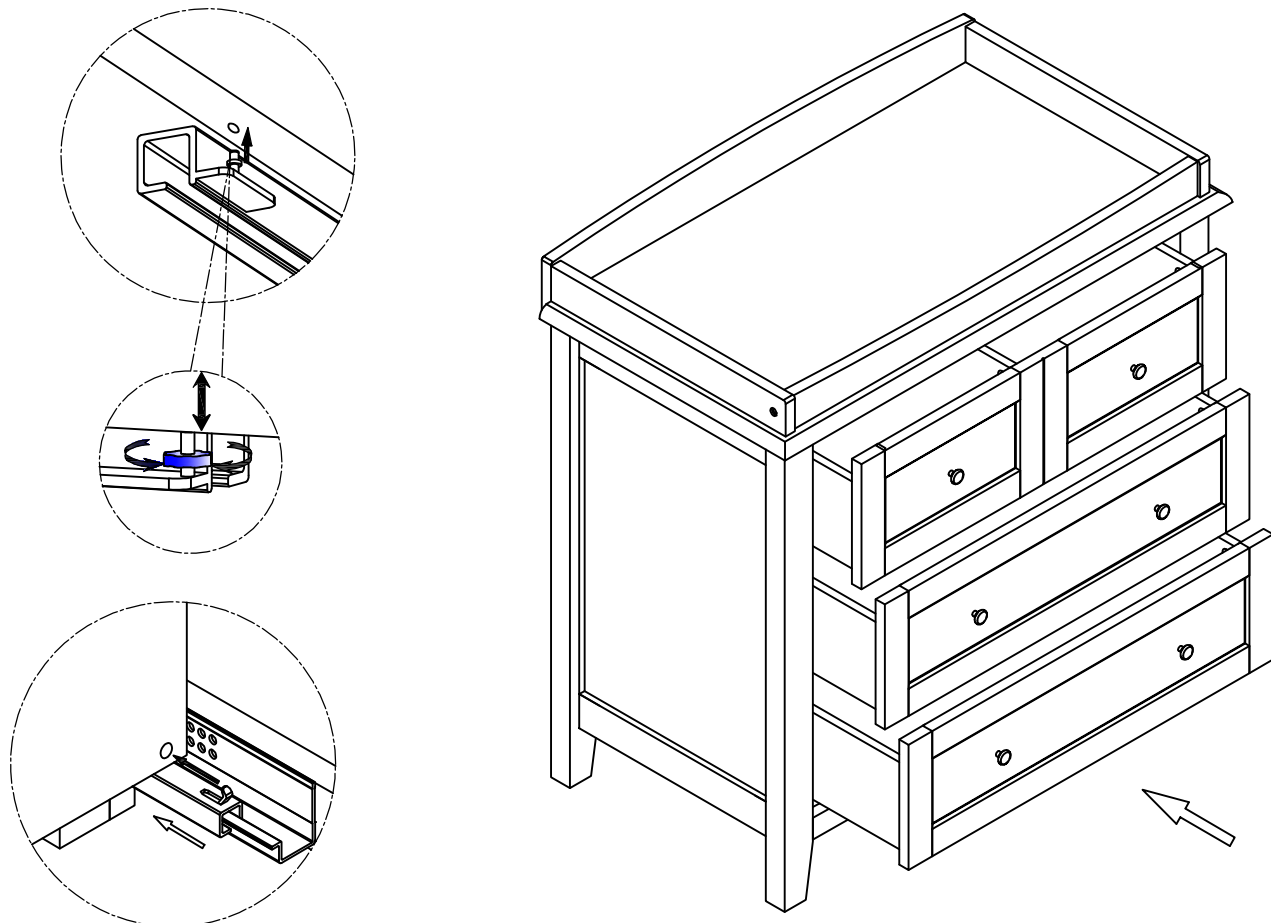
Step: 14



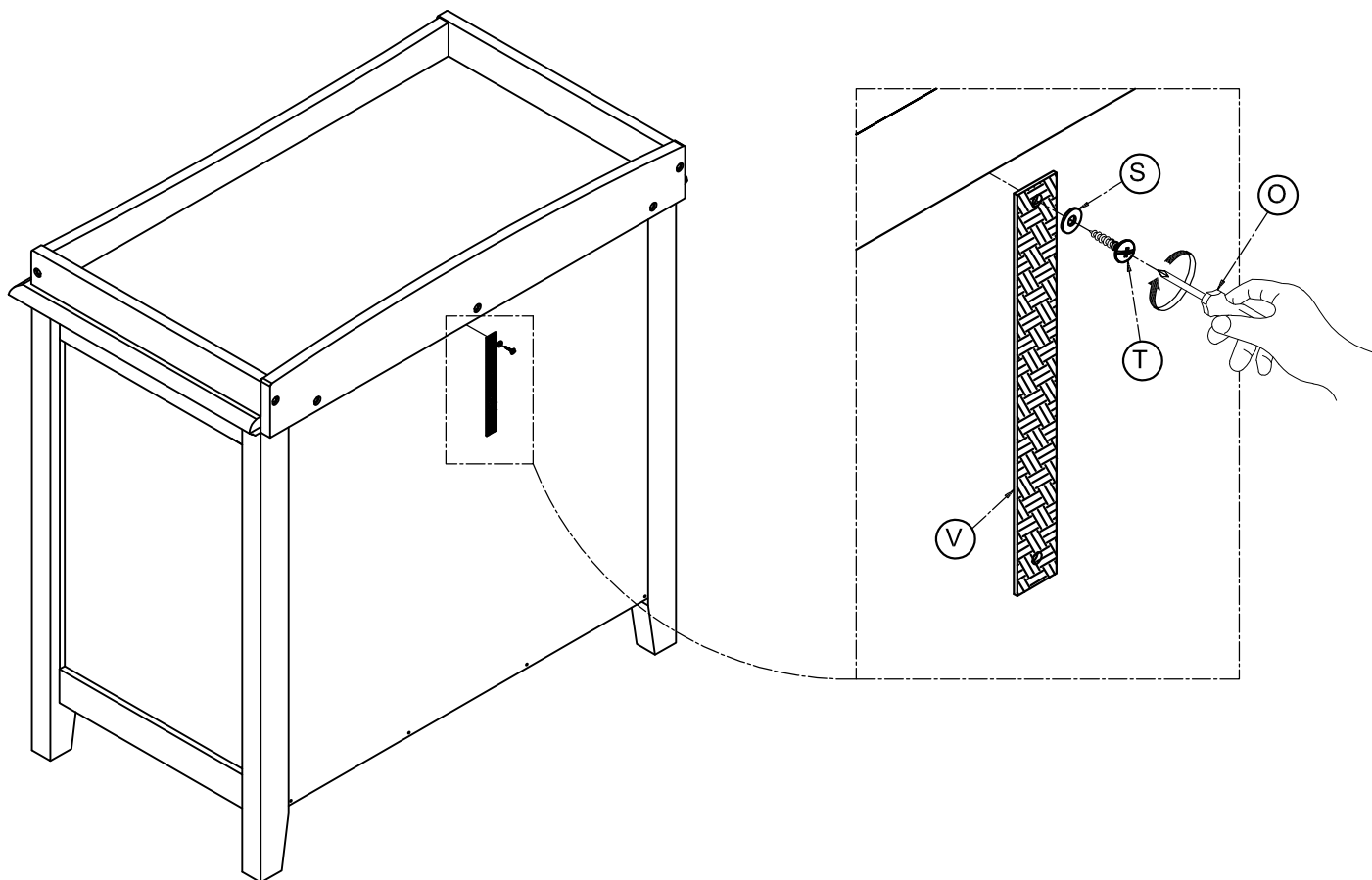
Step: 15



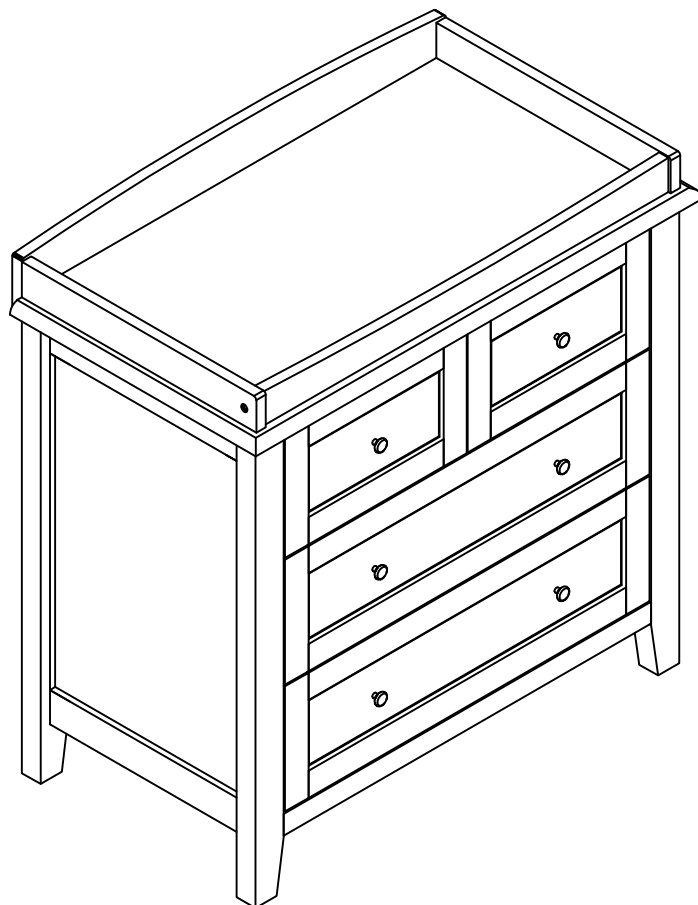
Step: 16



*Step: 17*

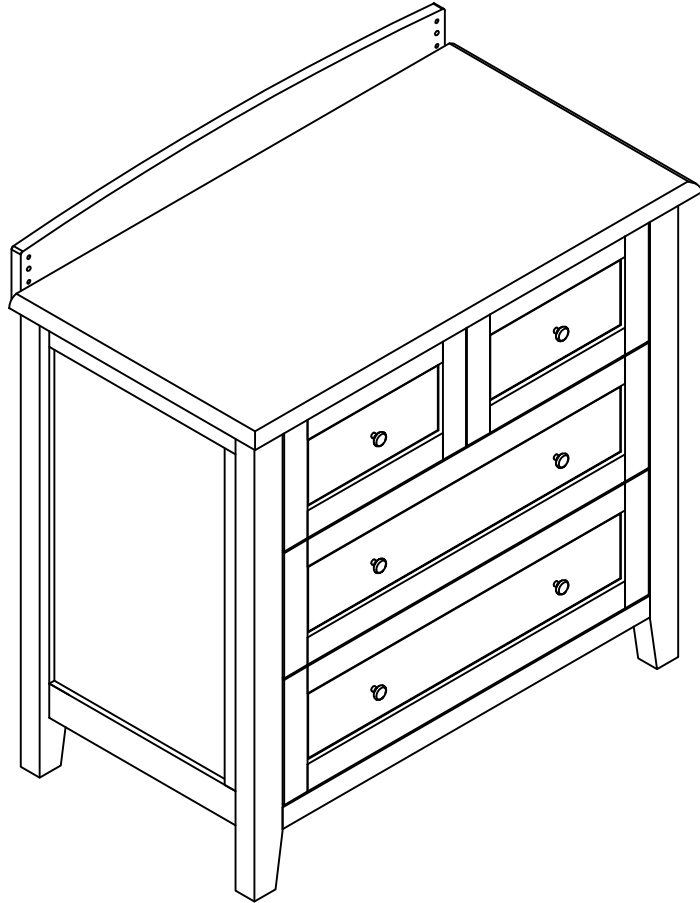


*Step: 18*



Note: The top rails can be removed when not required as a changing unit.

*Step: 19*



# Warnings & Instructions For Safe Use & Maintenance

## **WARNING**

**NEVER LEAVE YOUR CHILD UNATTENDED.**  
**The safety of your child is your responsibility.**

Regularly check all fittings and components of the changer are fully tightened and in good working order. If any parts have become worn or damaged then do not use the product and seek advice from your retailer or Silver Cross. Only use spare parts supplied by Silver Cross.

Be aware of the risk of open fire and other sources of strong heat, such as electric bar fires, gas fires etc. in the near vicinity of the changing unit.

A changing mattress is not supplied with this product. Place the changing mattress on the changing surface inside the retaining rails.

We recommend the use of a 430x320x30 size mattress.

Suitable for children up to 12 months old (approximately). Maximum weight 11 kgs.

Never use the changer if any parts are broken or missing.

Never drag or pivot the Dresser Changer. It must be lifted and moved by at least two people.

Before use, ensure the changer is on a level, stable surface.

Do not allow children to climb on the changer.

The changer can be cleaned with a damp cloth. Never use bleach, abrasive or strong detergents. Thoroughly dry immediately after cleaning.

## **WALL STRAP INFORMATION**

Never modify or change the wall strap in any way. Never use any other fittings other than those supplied to attach the wall strap to the dresser.

The wall strap provided is to be used with this product only.

Never use the screw provided to attach the strap to the wall. All walls are of different composition and it is important that the correct wall fittings are used. Consult a professional before attempting to attach the strap to the wall. No wall fittings are supplied with this product.

The wall strap must not be used to replace any other fittings supplied with this piece of furniture.

We recommend the wall strap is used in all cases. To improve the stability of the furniture an even wood or tiled floor is best. A carpeted or warped floor can enable the furniture to rock, increasing the potential of the furniture to fall over.

*Silver Cross*<sup>®</sup>