

Silver Cross®

THE BEST START IN LIFE

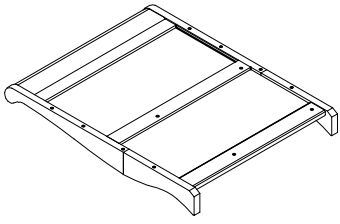
*New Nostalgia Sleigh Cot/Cot Bed  
Assembly Instructions*



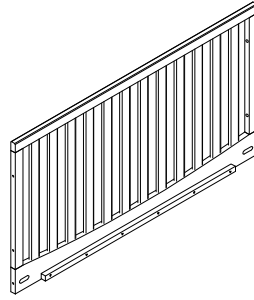
**IMPORTANT: THE ASSEMBLY OF THIS  
PRODUCT REQUIRES TWO PEOPLE**

**IMPORTANT: KEEP THESE INSTRUCTIONS  
FOR FUTURE REFERENCE**

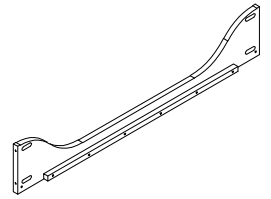
# Parts List :



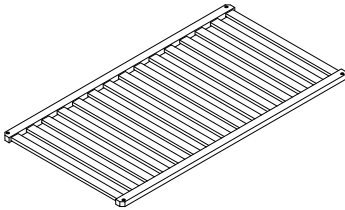
A = 2pcs (L&R)



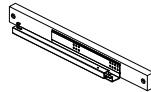
B = 2pcs



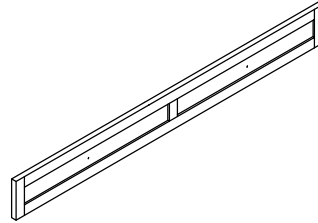
B1 = 2pcs



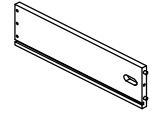
C = 1pc



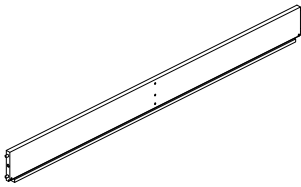
D = 2pcs (L&R)



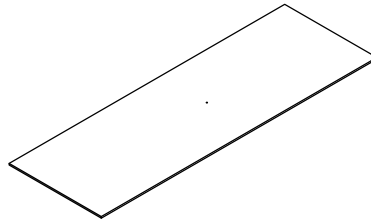
E = 1pc



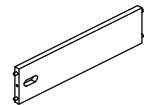
E1 = 2pcs (L&R)



E2 = 1pc



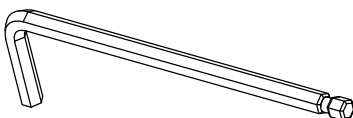
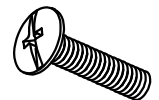
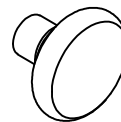
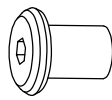
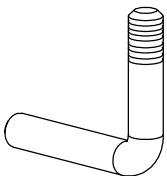
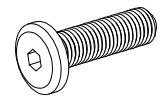
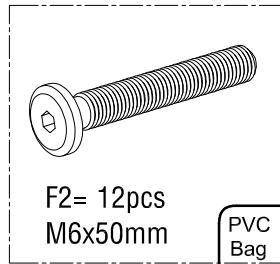
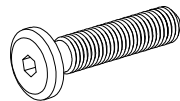
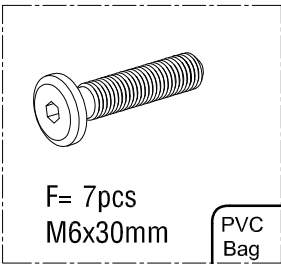
E3 = 1pc



E4 = 1pc

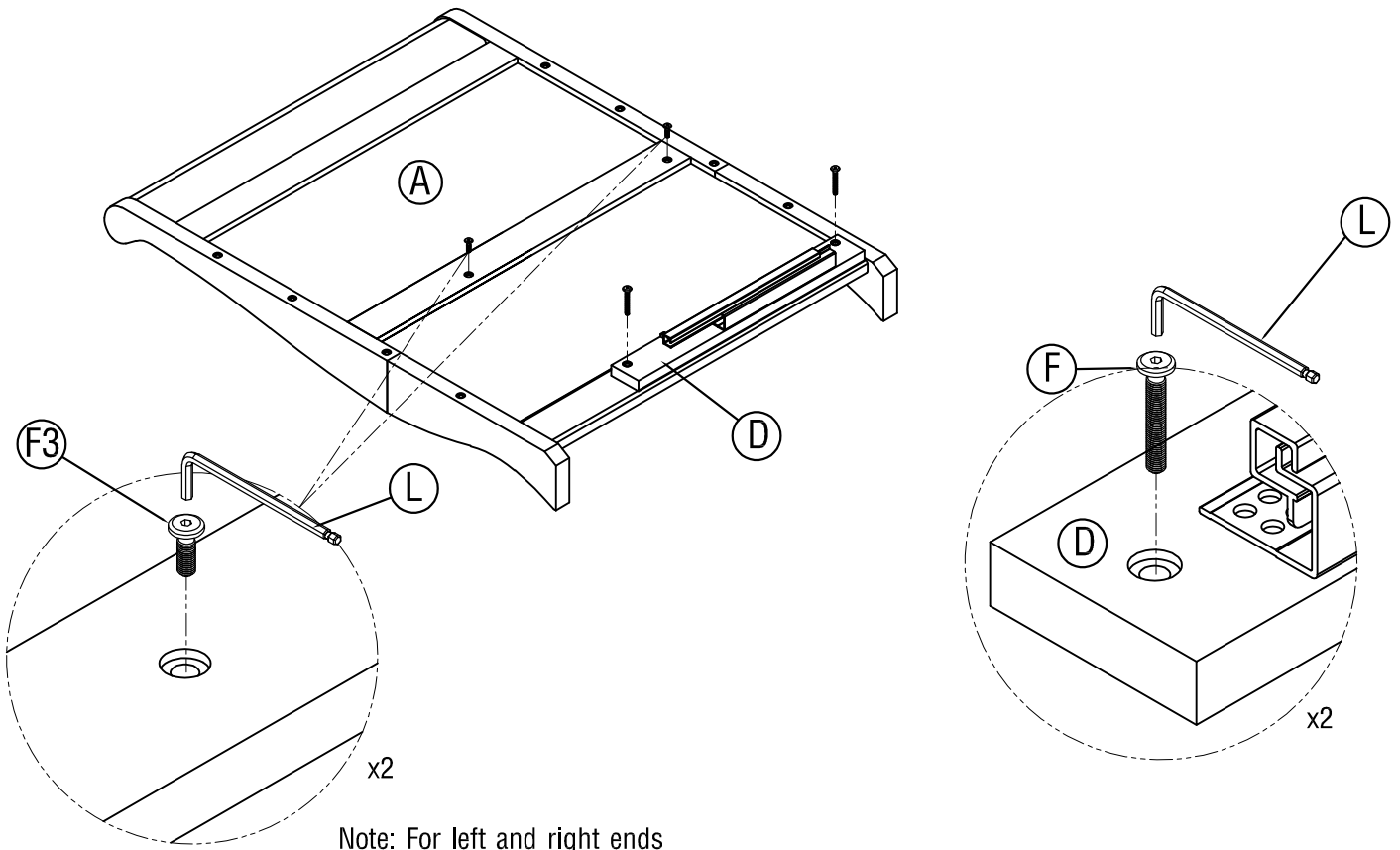
# Fittings List :

Retain all extra fittings for conversion into day and toddler bed

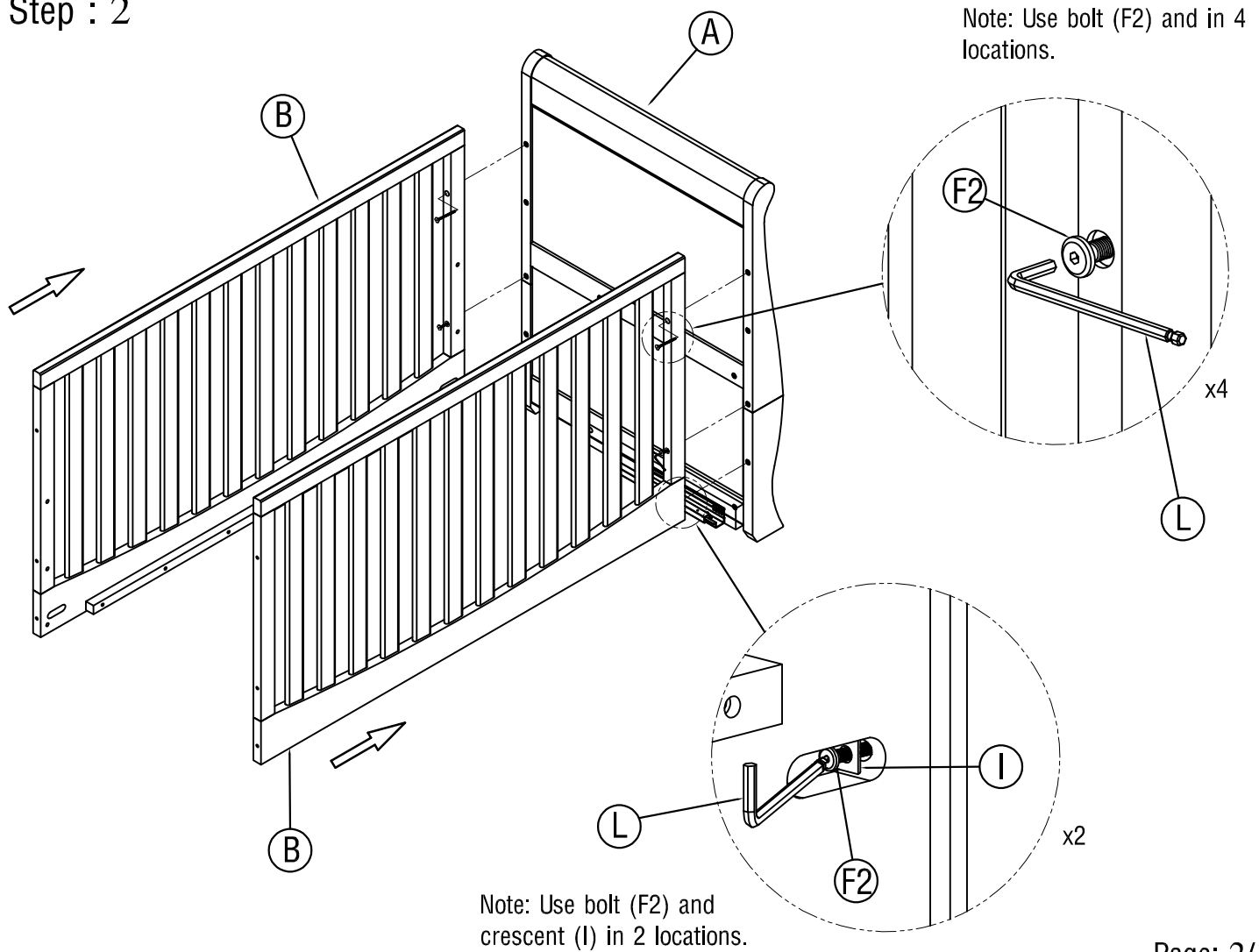


# Cot Assembly

## Step : 1



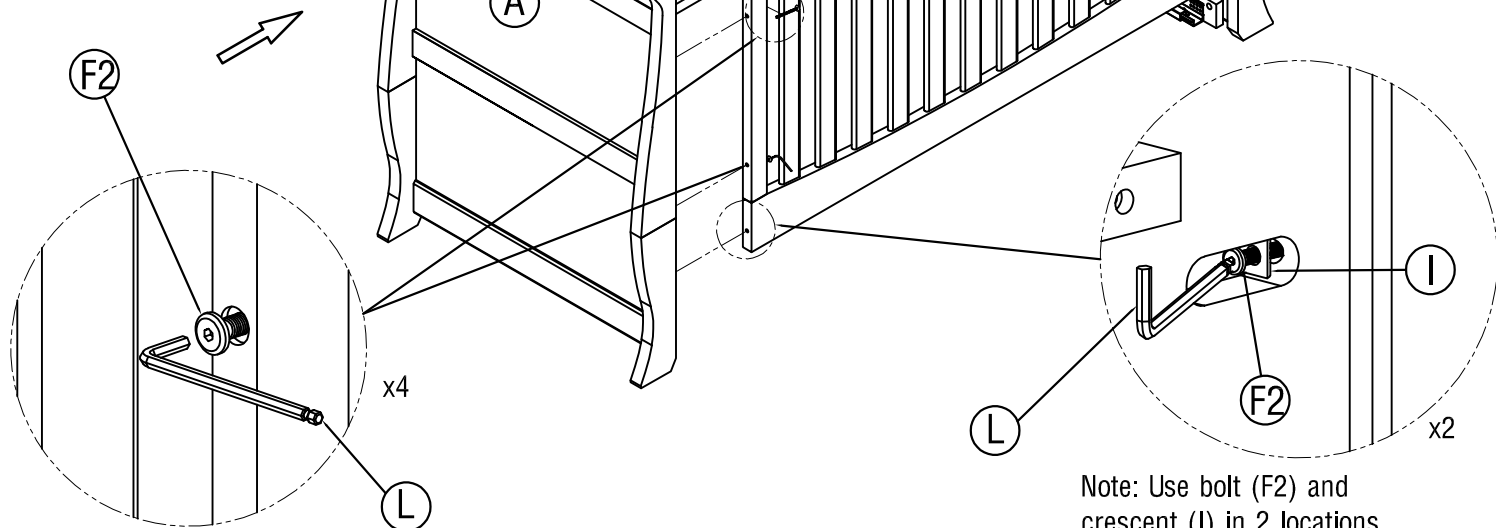
## Step : 2



### Step : 3

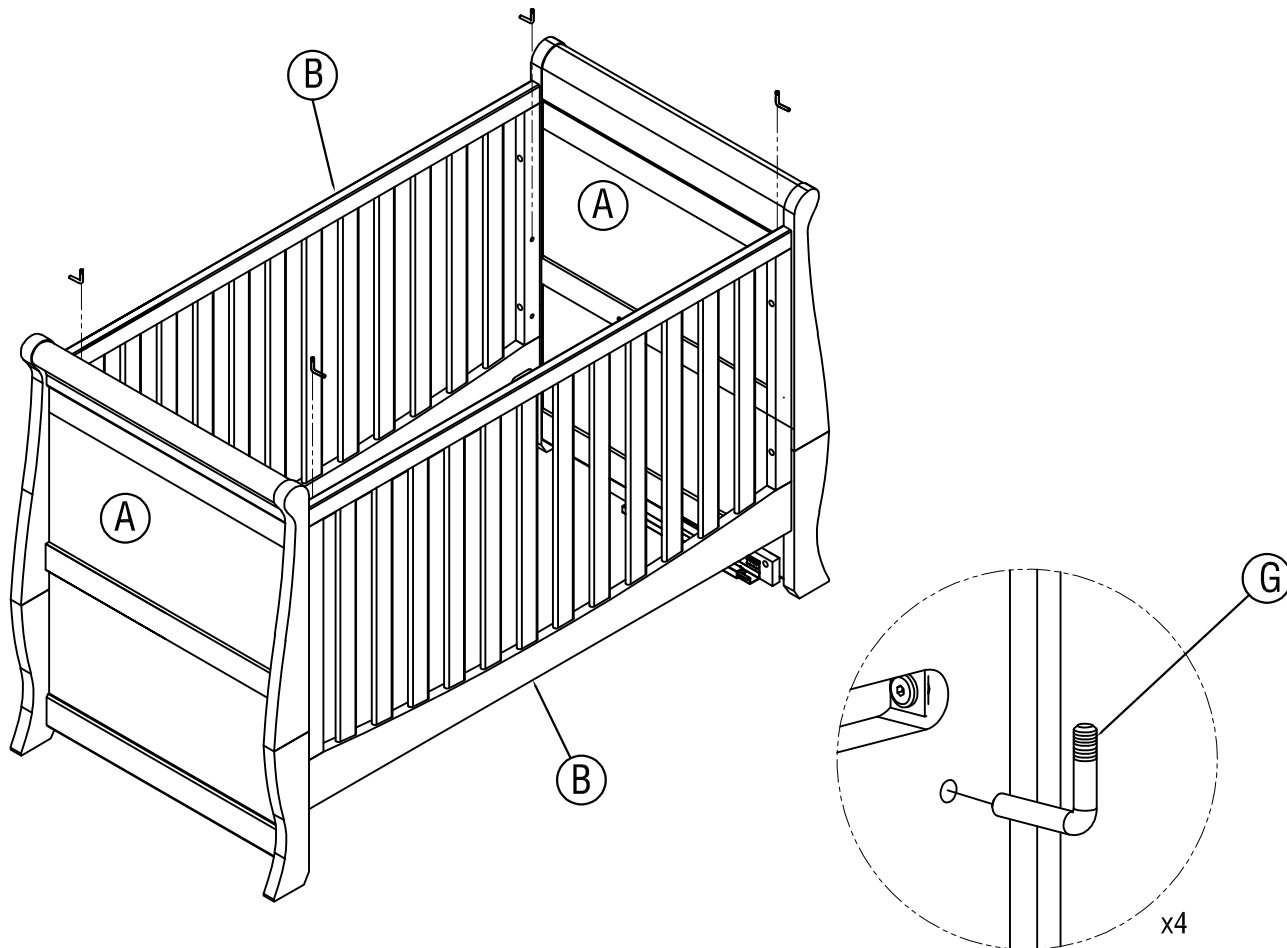
Note: Mattress marks must be on the inside of the cot

Note: Use bolt (F2) and in 4 locations.



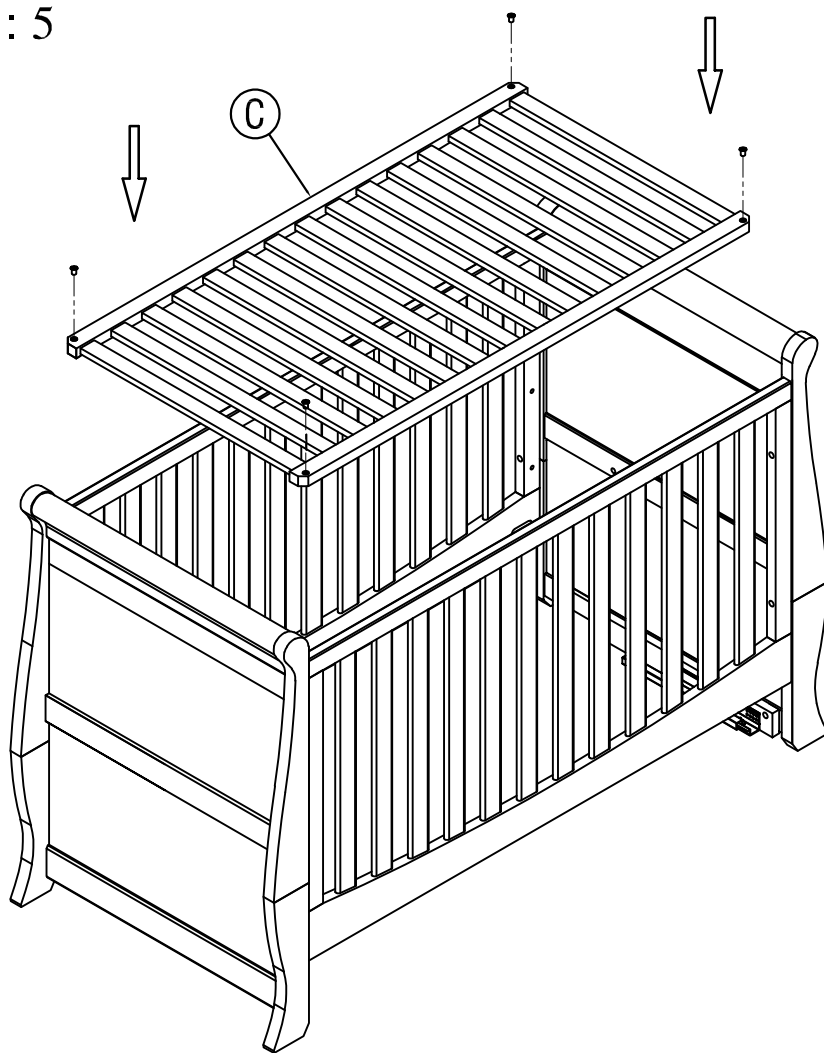
Note: Use bolt (F2) and crescent (I) in 2 locations.

### Step : 4

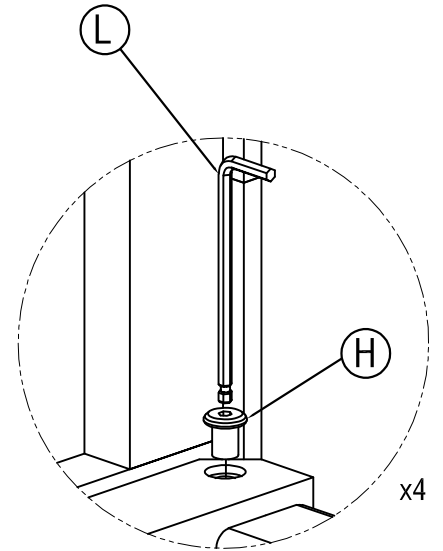


Note:  
The mattress base can be fitted in three positions. The lowest position is the safest.

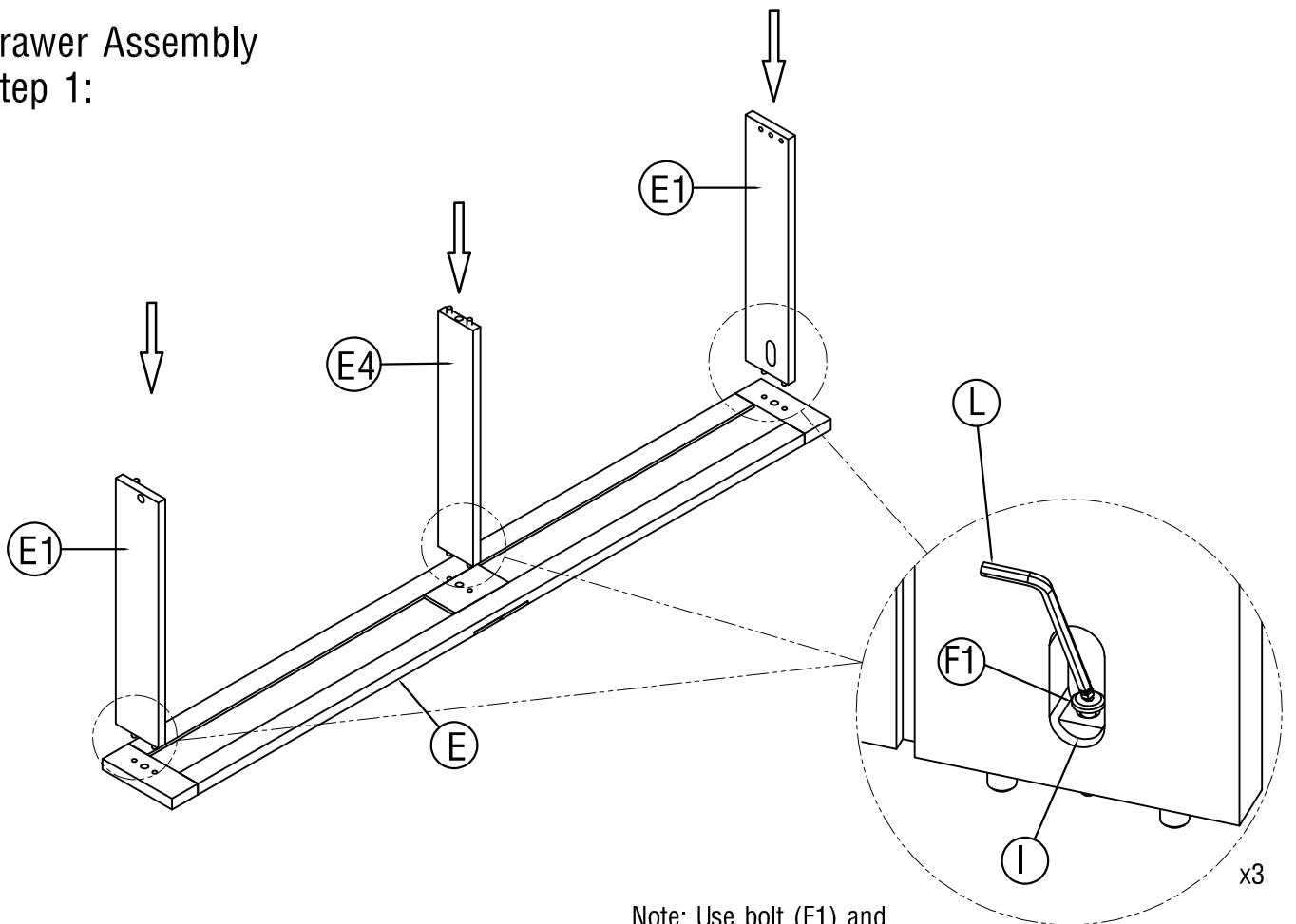
Step : 5



Note: Cot bed is now fully assembled, check all fixings are tight and secure before assembling the drawer unit

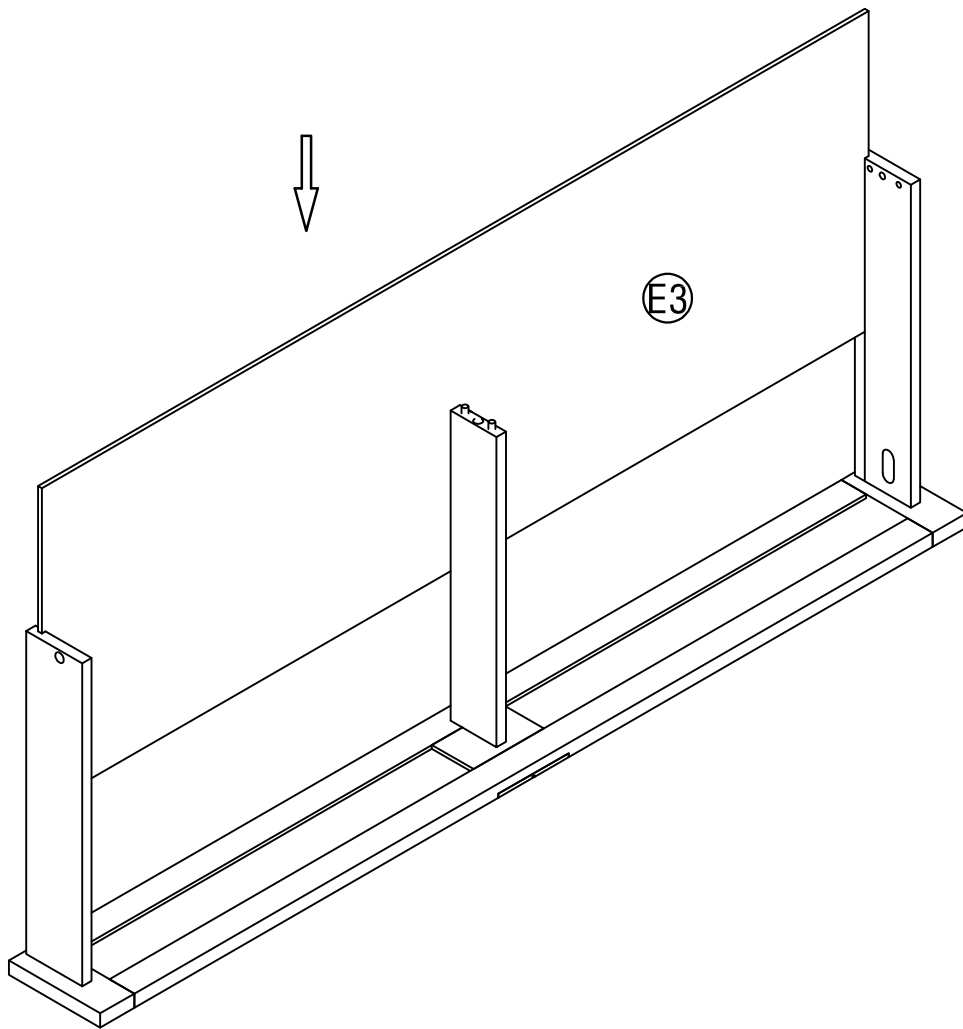


Drawer Assembly  
Step 1:



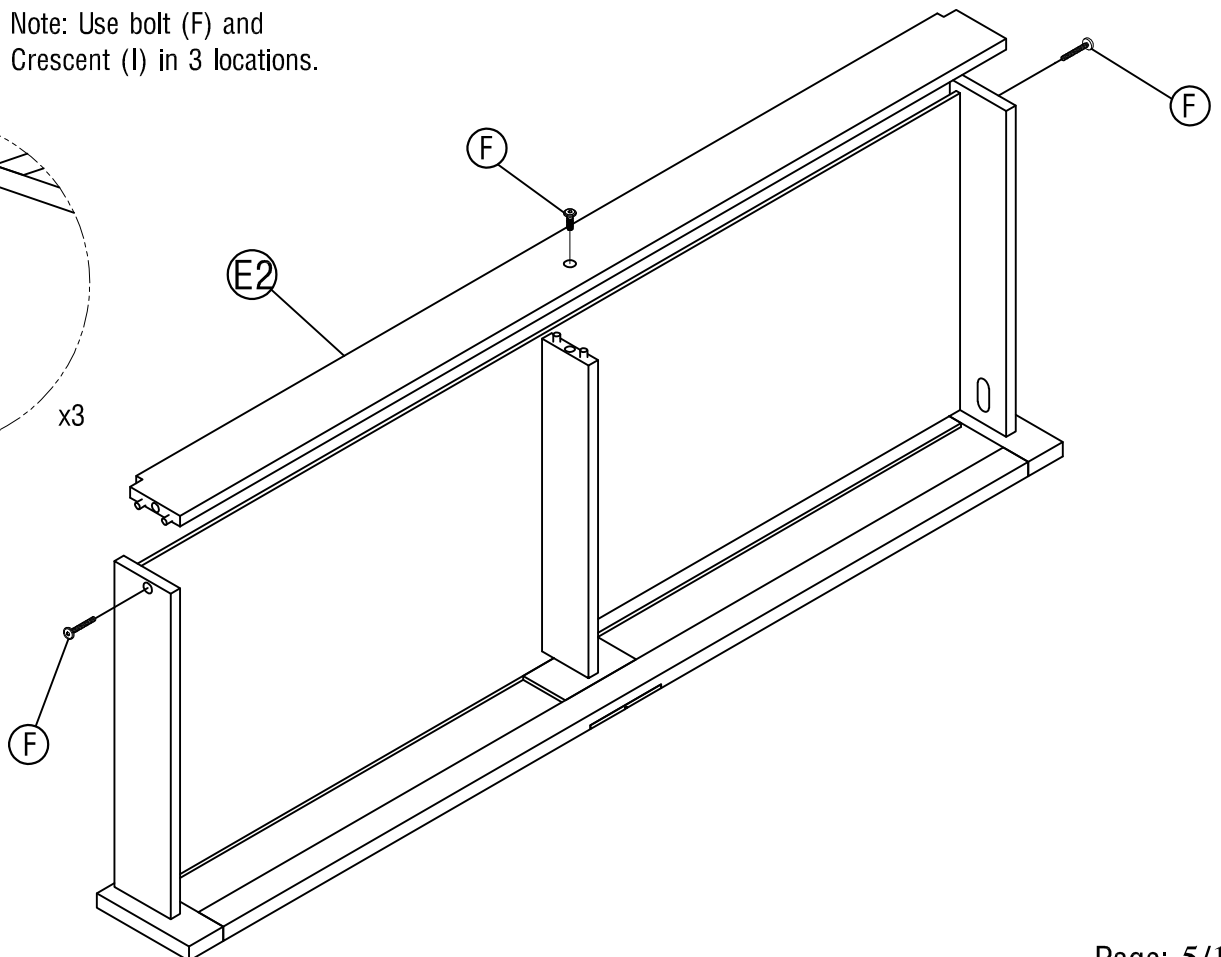
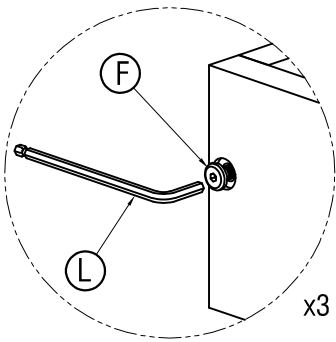
Note: Use bolt (F1) and Crescent (I) in 3 locations.

## Step 2:

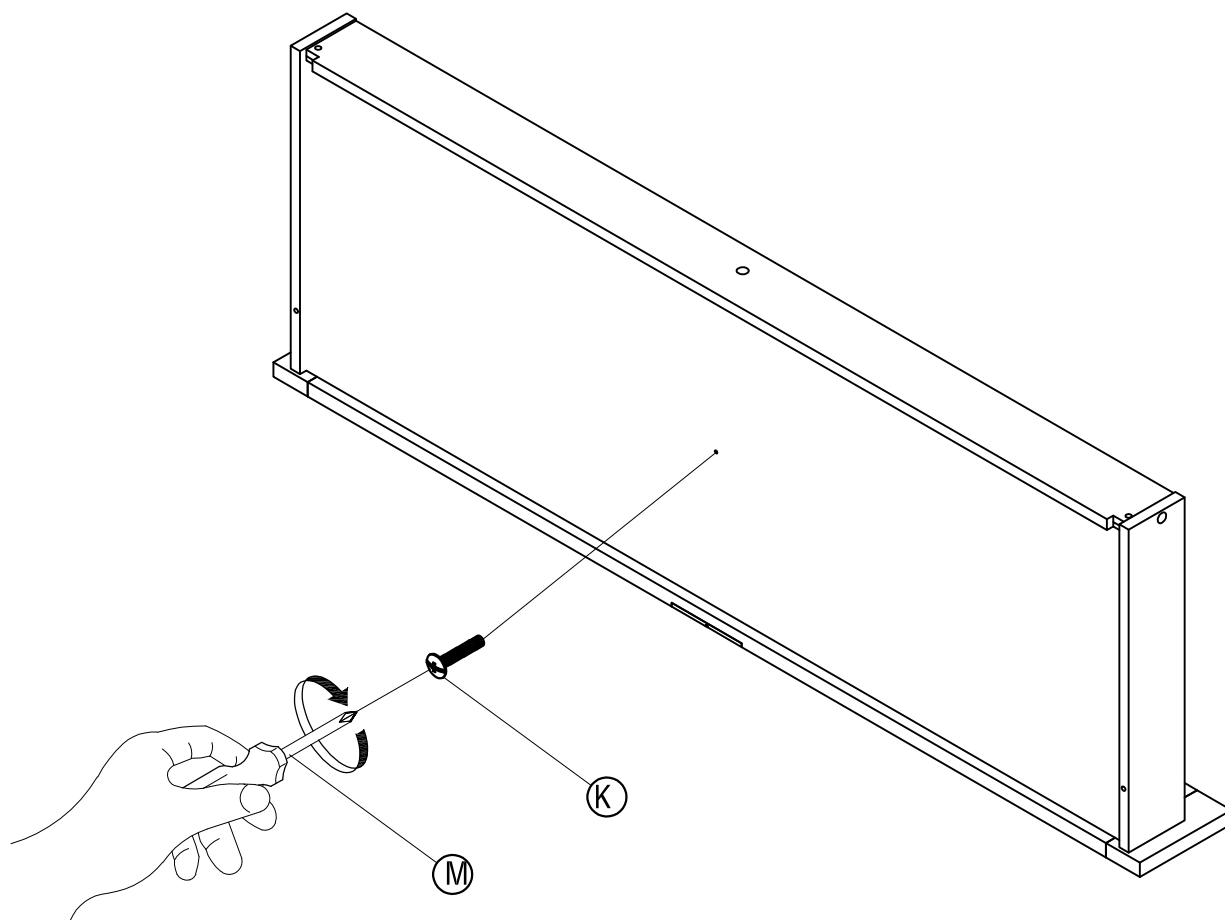


## Step 3:

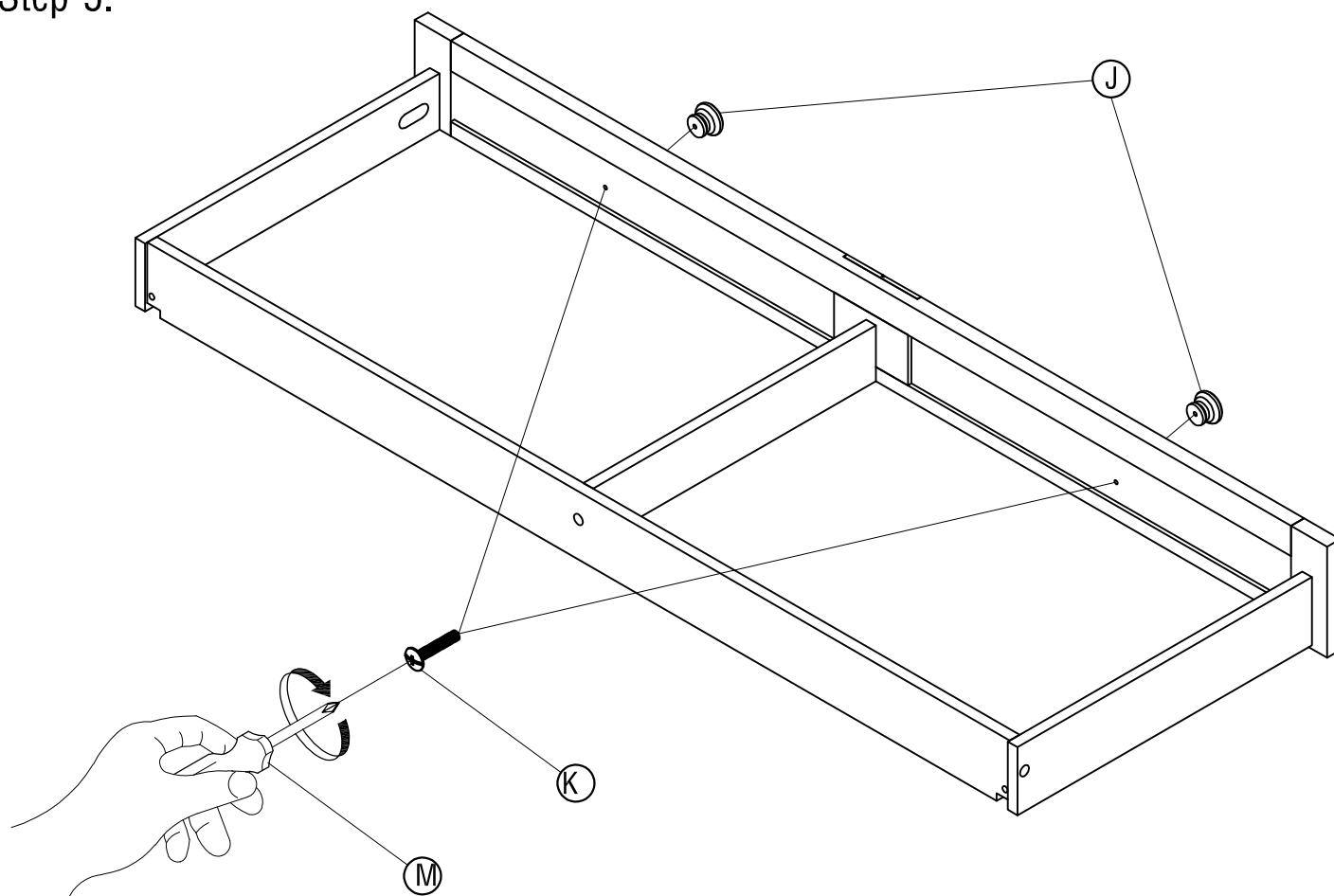
Note: Use bolt (F) and Crescent (L) in 3 locations.



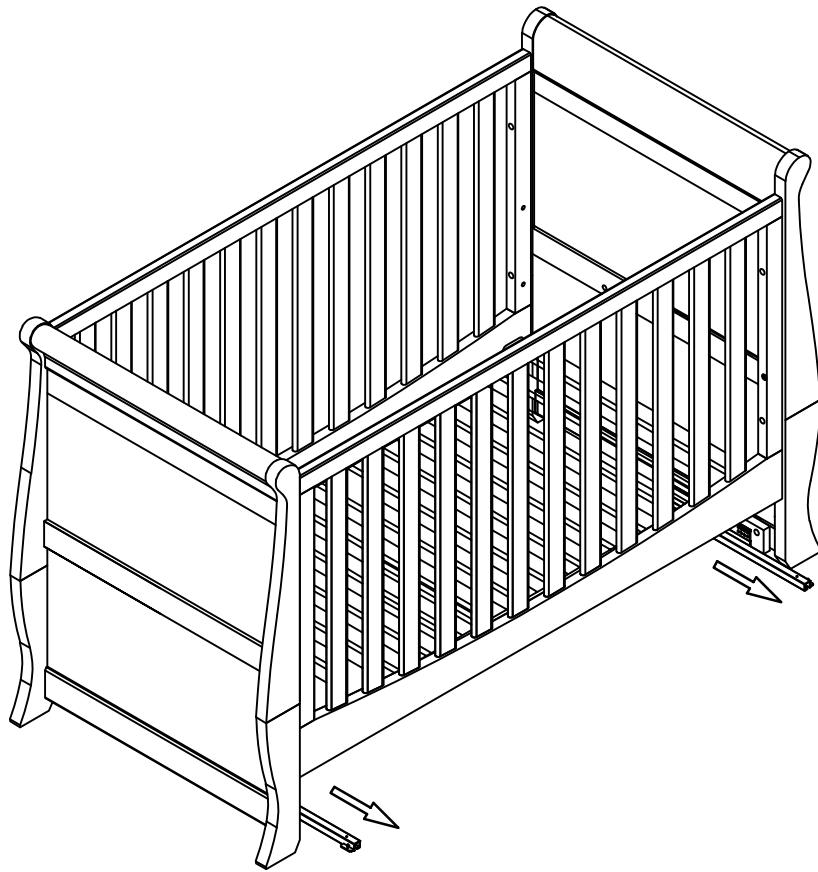
Step 4:



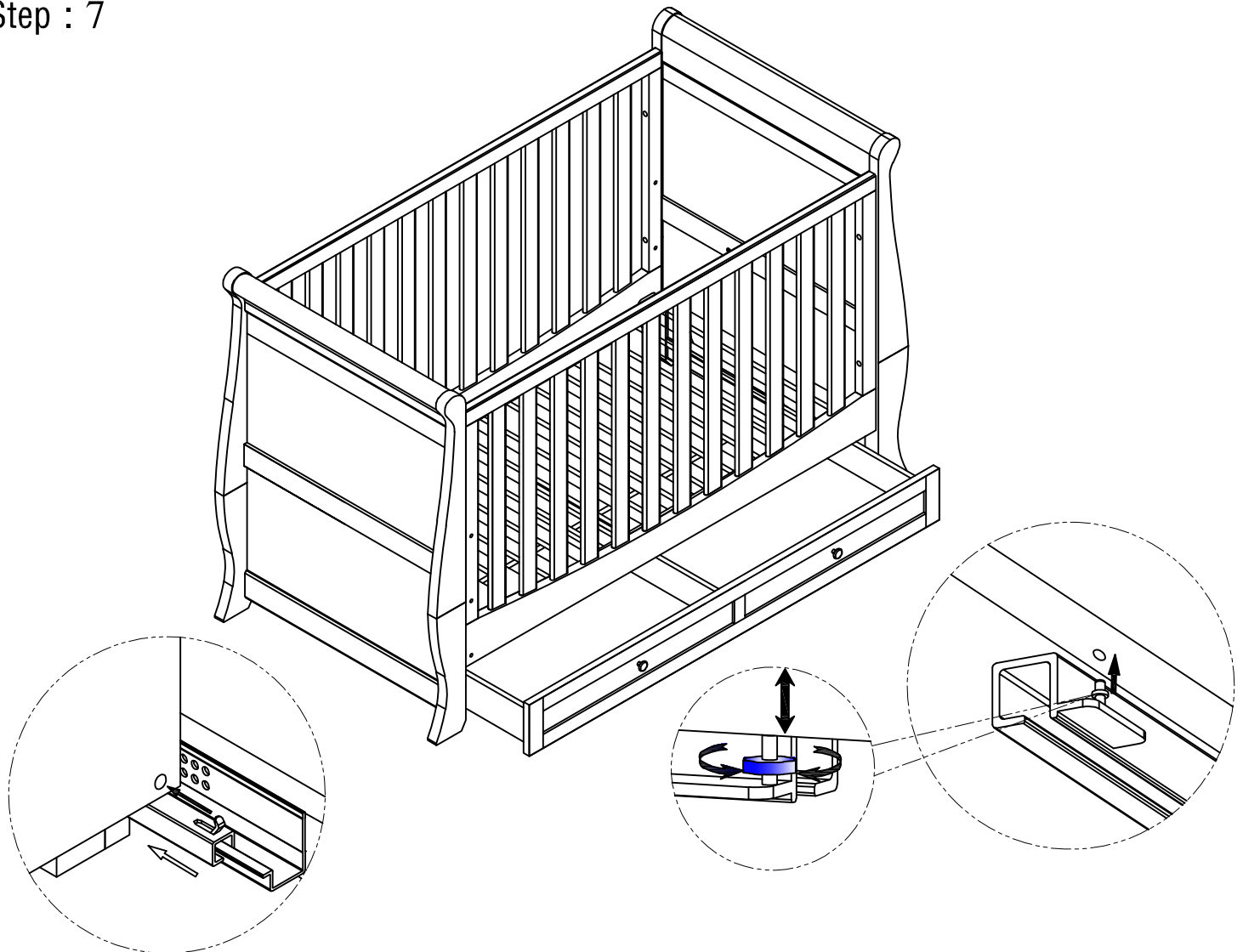
Step 5:



Step : 6



Step : 7





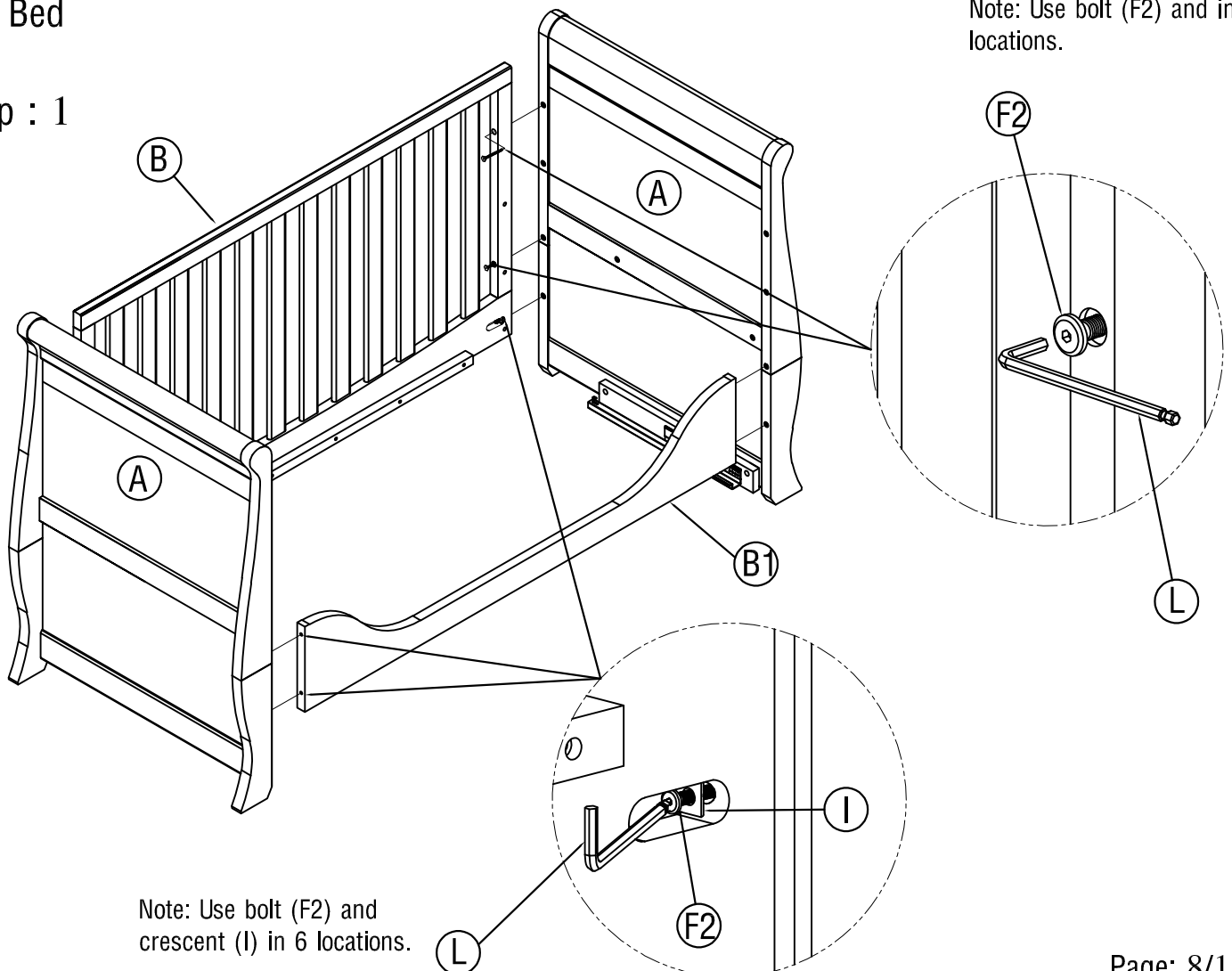
Step : 8



Day Bed

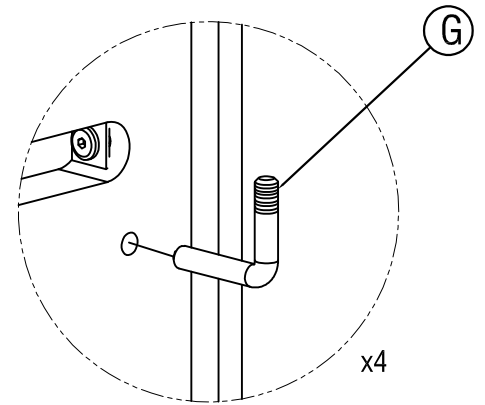
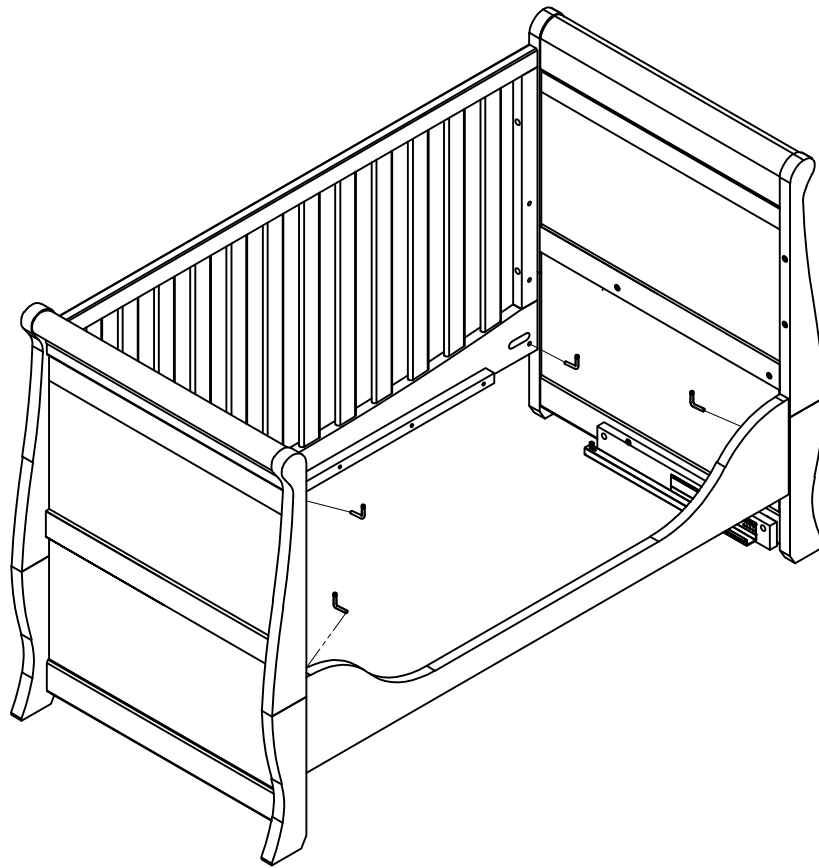
Step : 1

Note: Use bolt (F2) and in 4 locations.

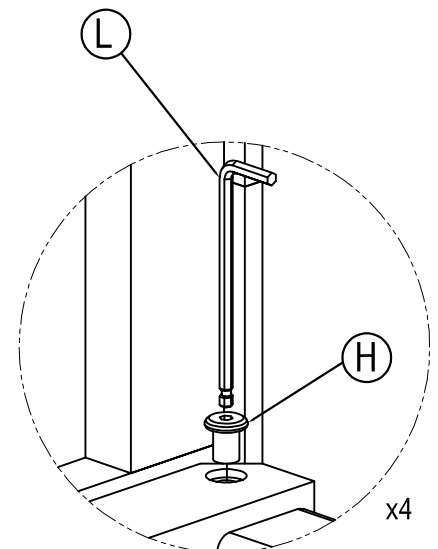
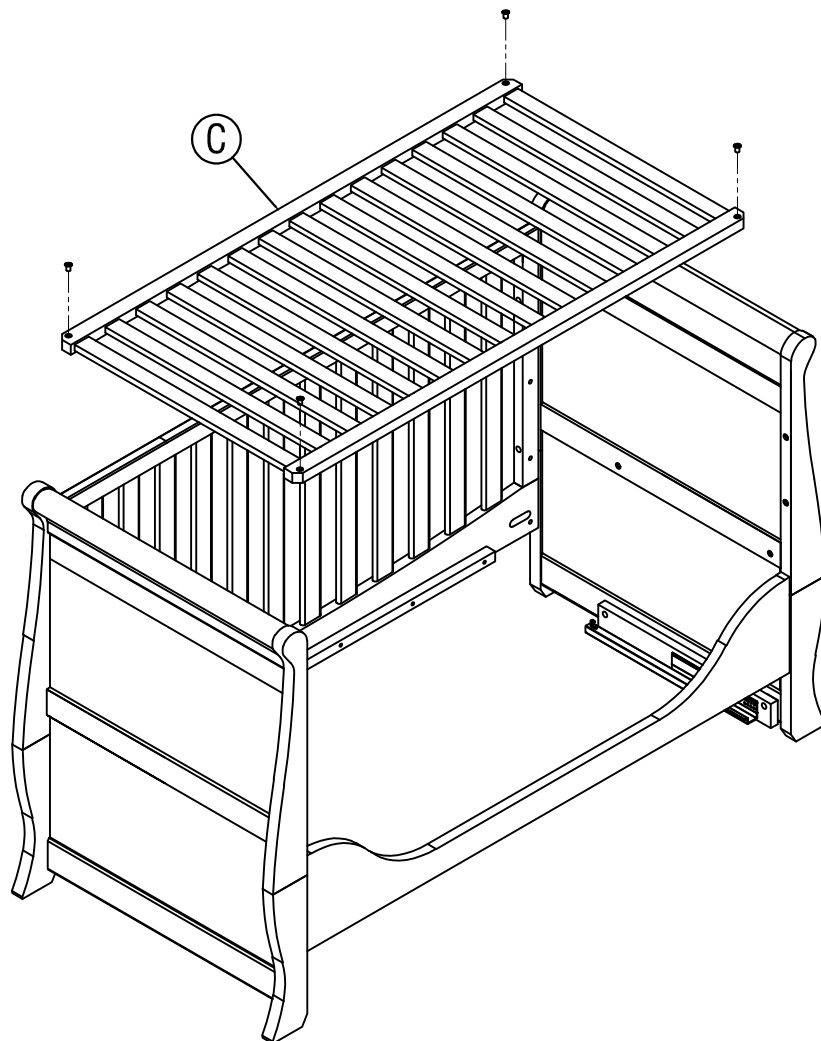


Note: Use bolt (F2) and crescent (I) in 6 locations.

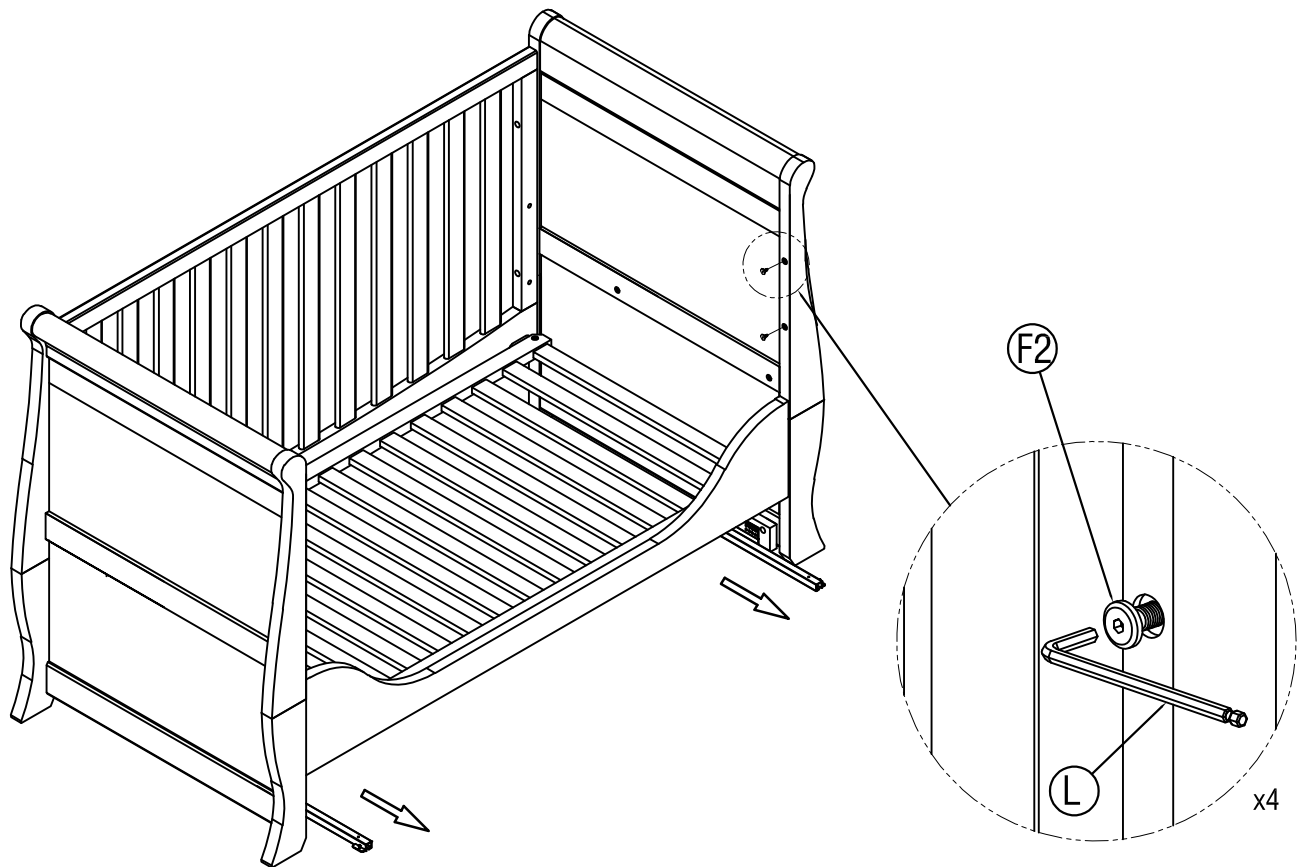
Step : 2



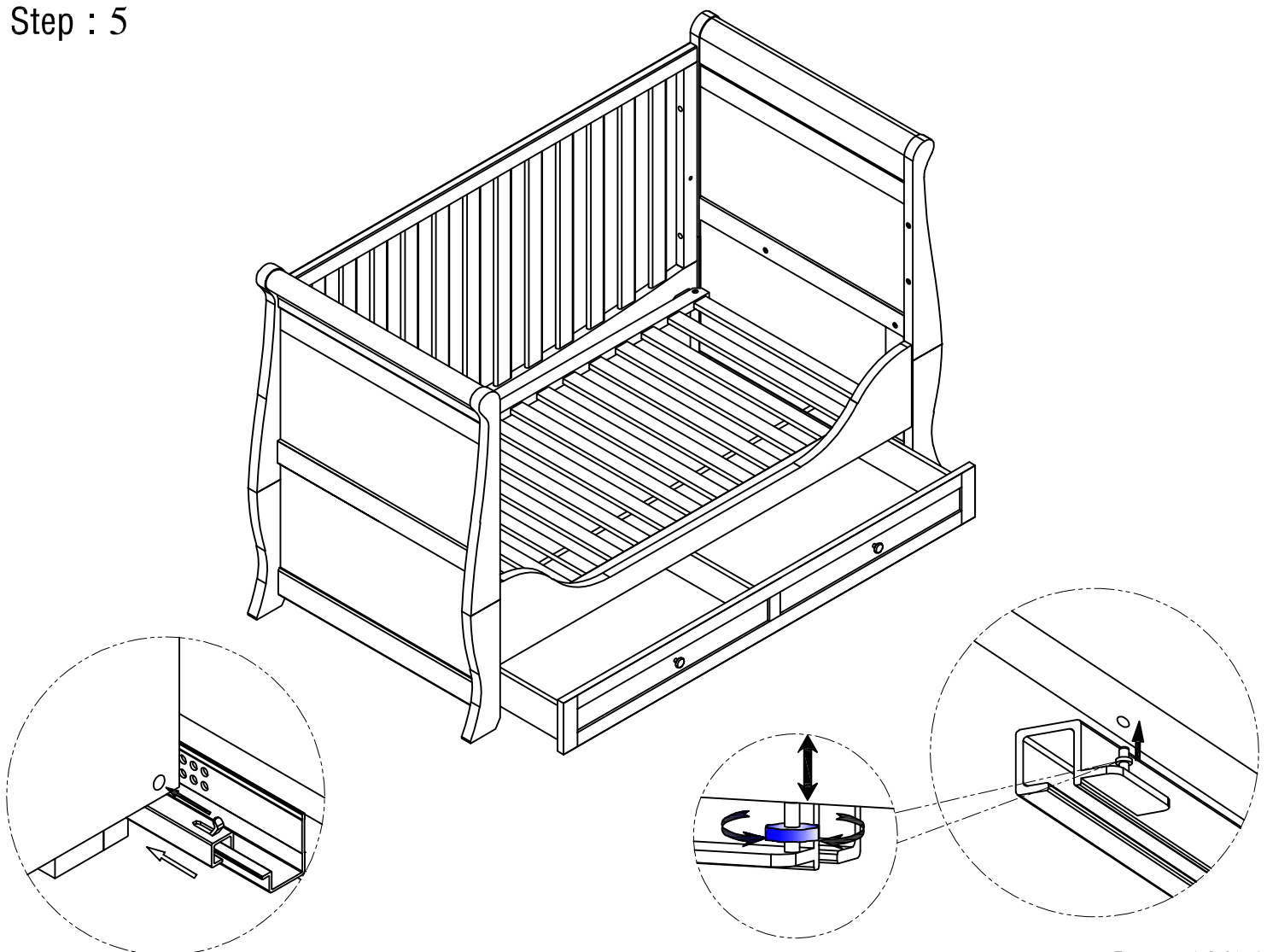
Step : 3



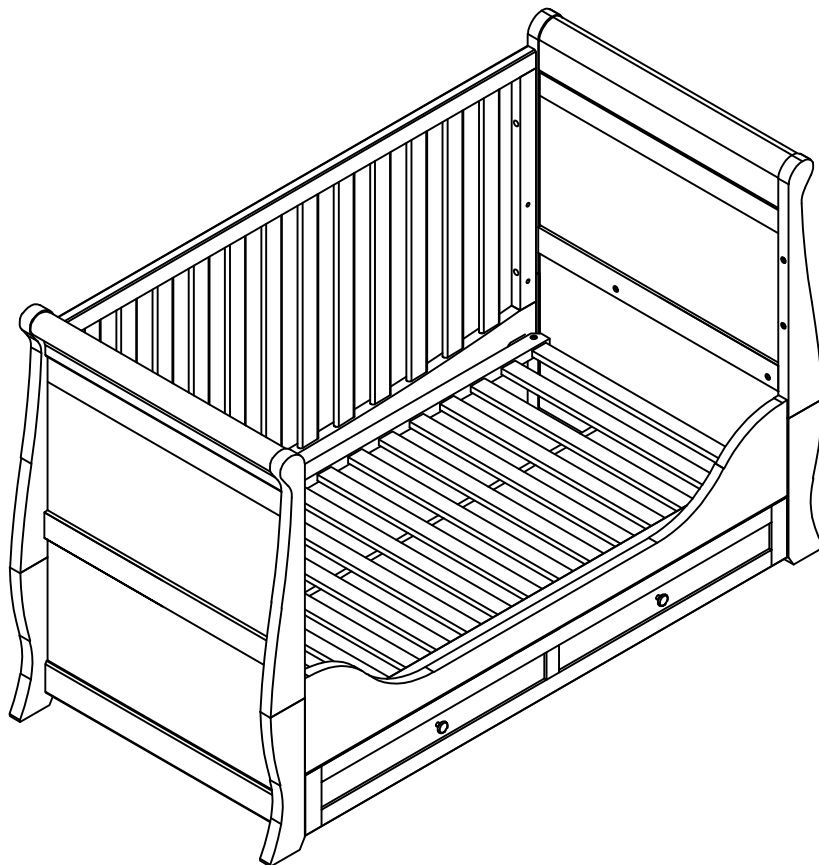
Step : 4



Step : 5

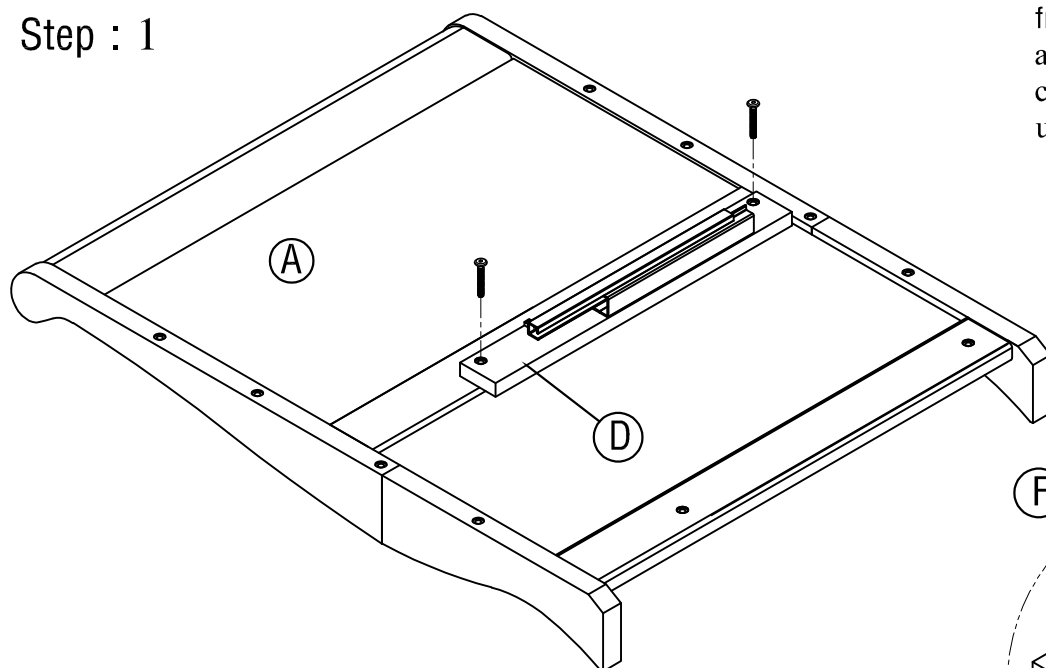


Step : 6

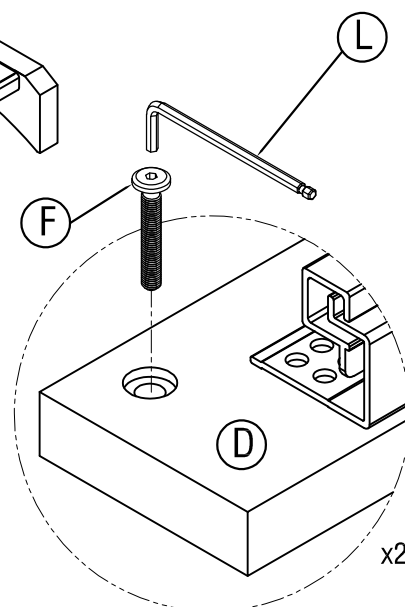


To convert into  
Toddler Bed mode

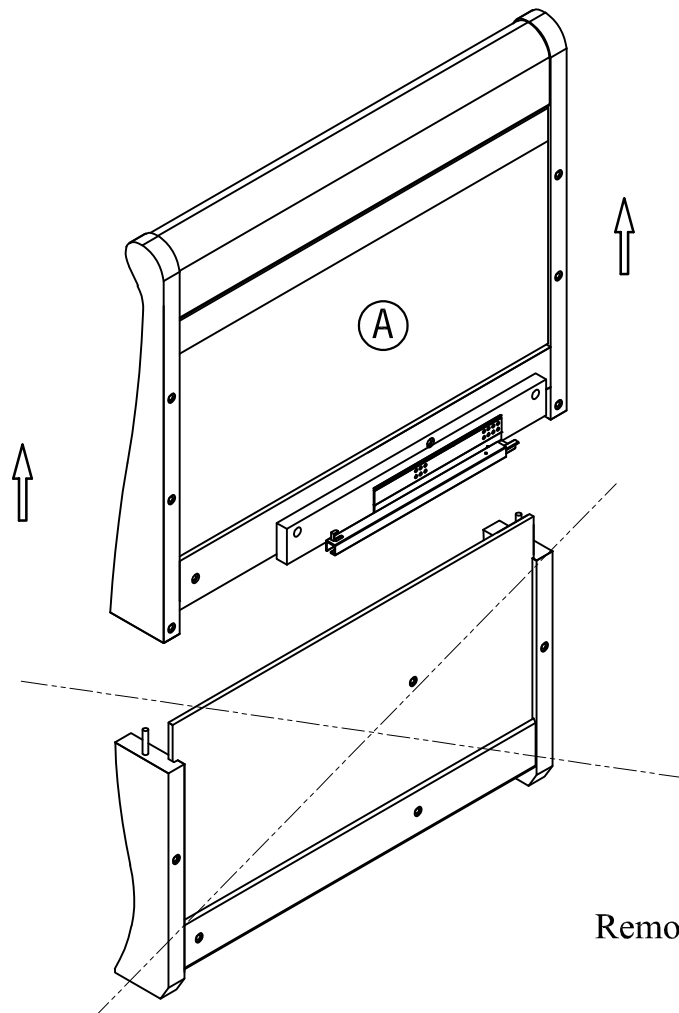
Step : 1



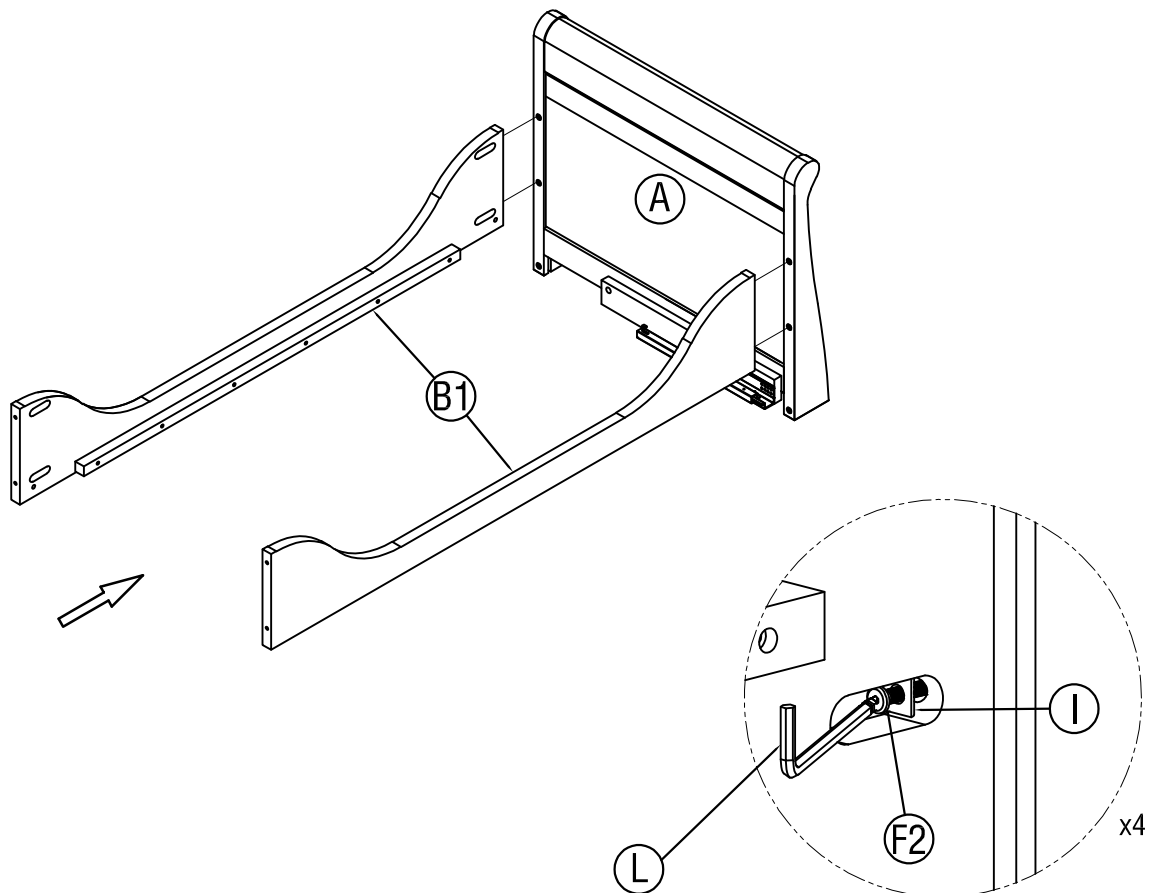
Remove the drawer runner  
from the lower cot section  
and re-attach on the upper  
cot section as shown  
using the same fixings (F)



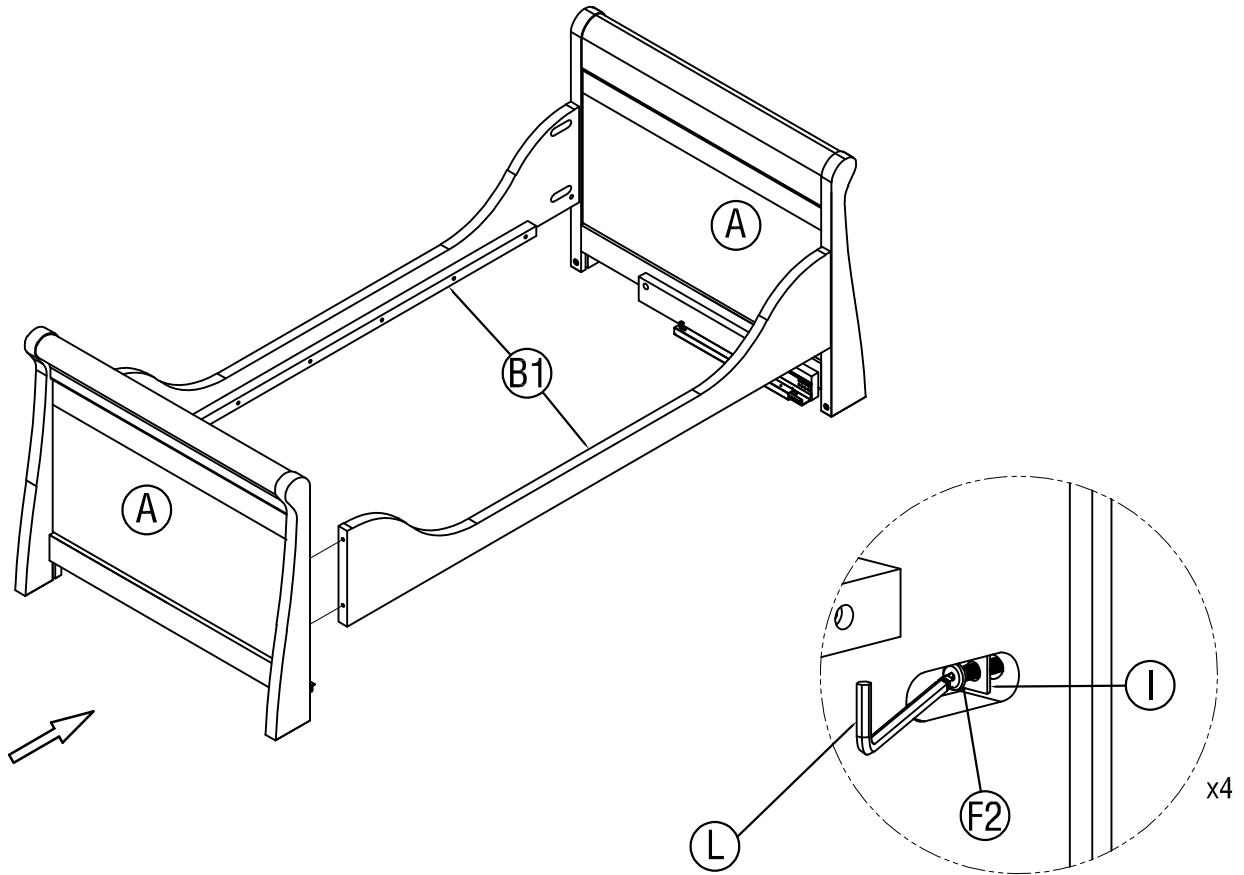
Step : 2



Step : 3

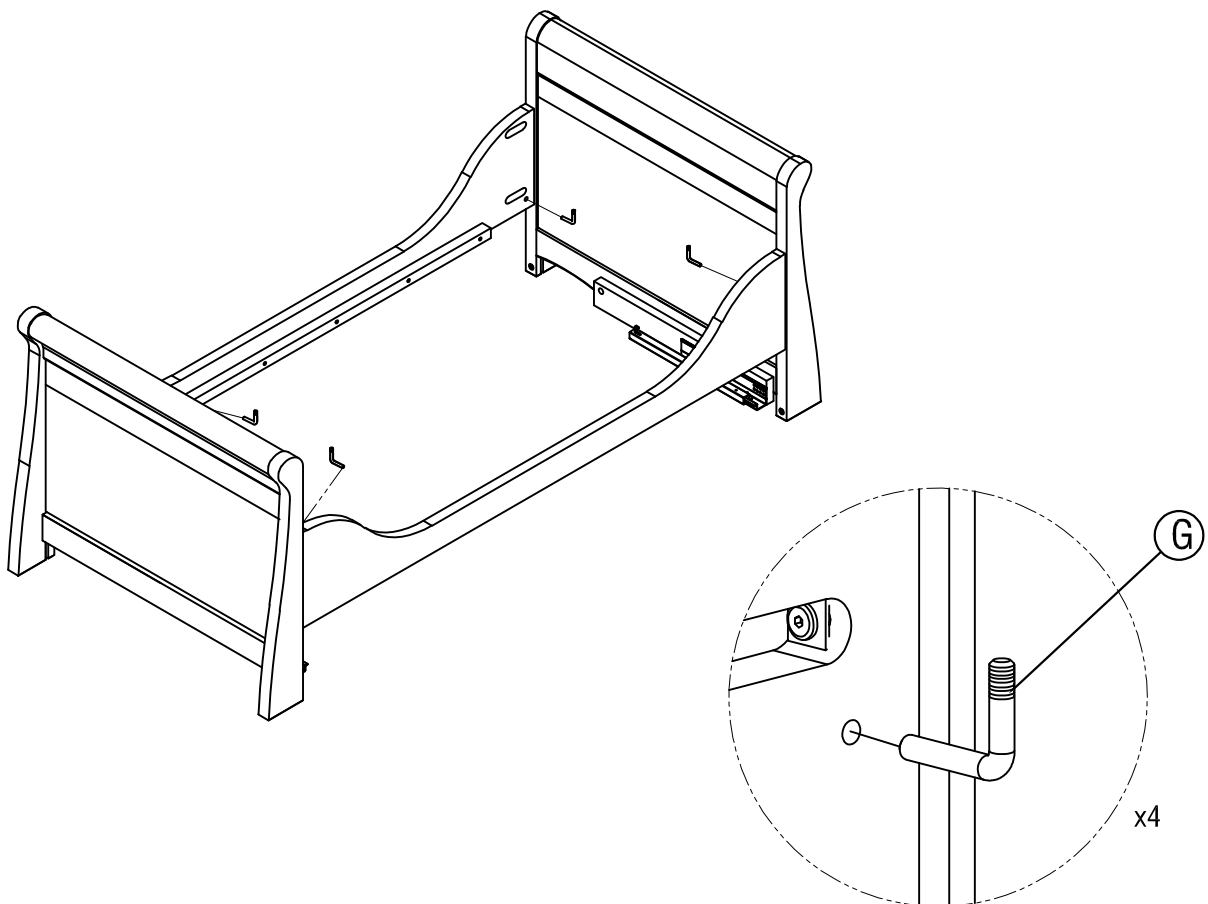


Step : 4

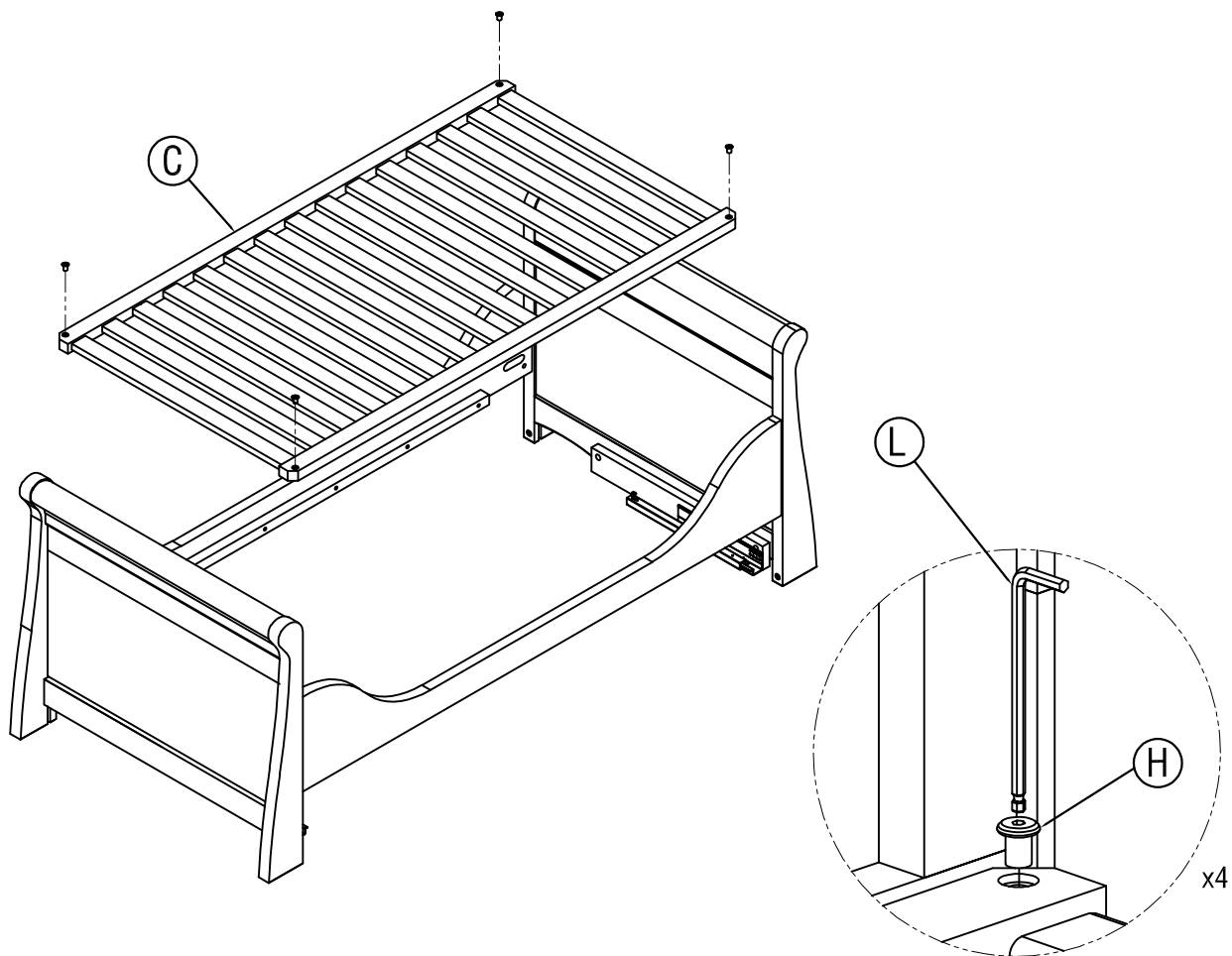


Note: Use bolt (F2) and crescent (I) in 4 locations.

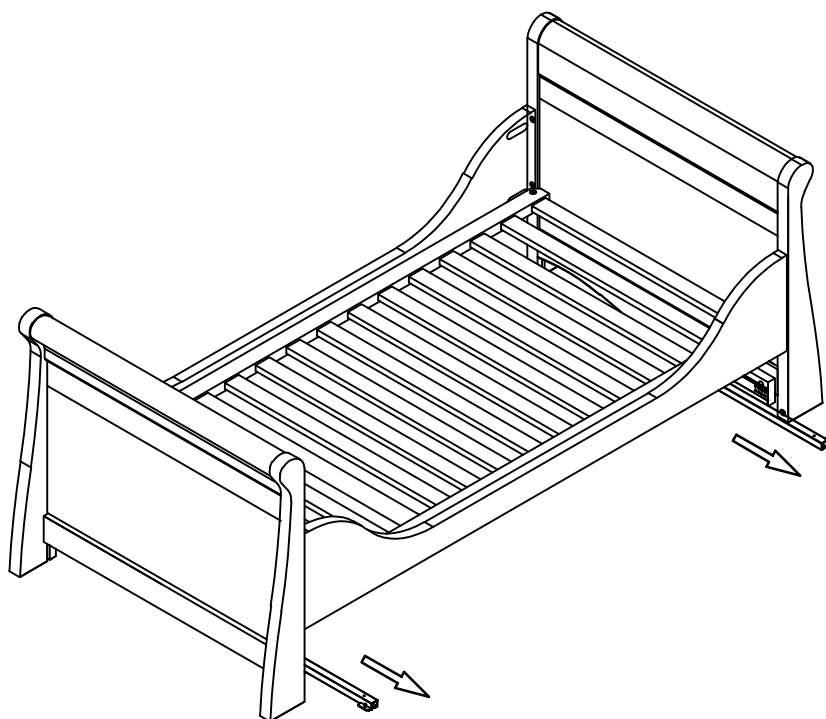
Step : 5



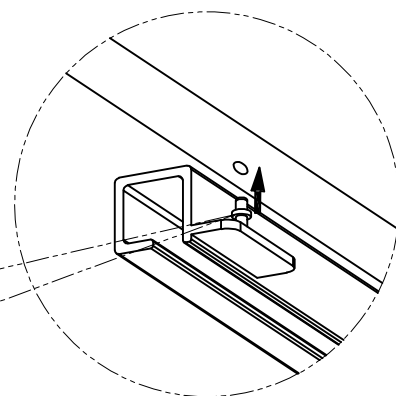
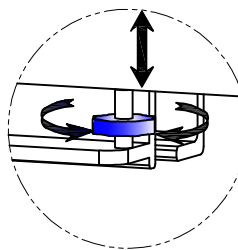
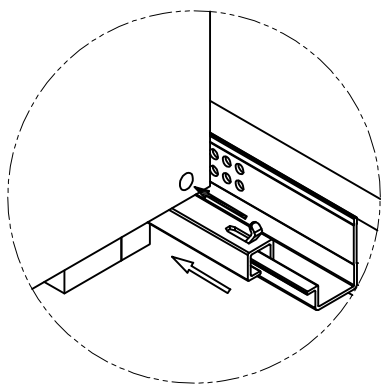
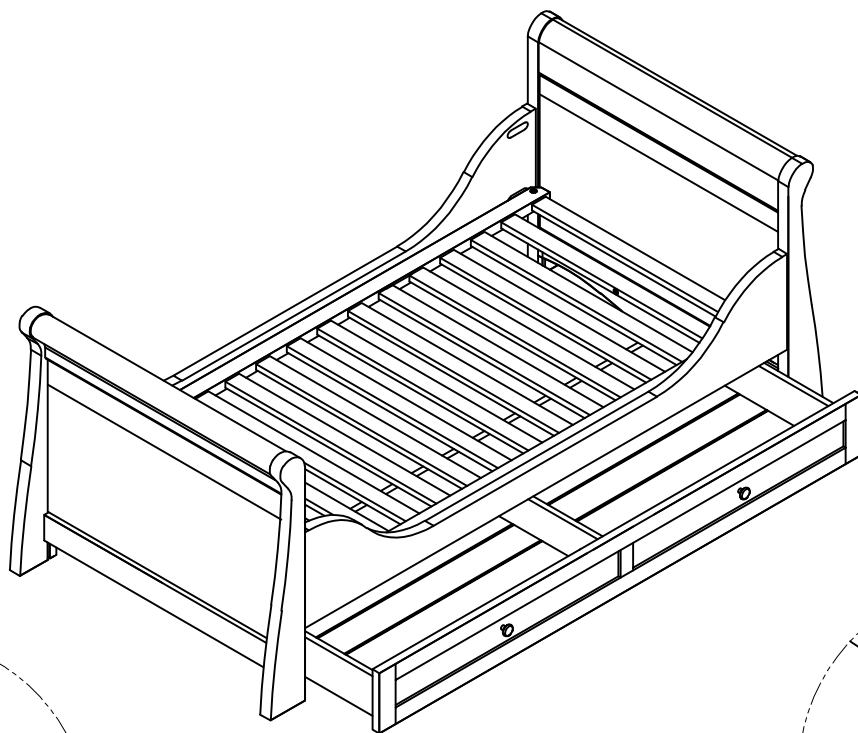
Step : 6



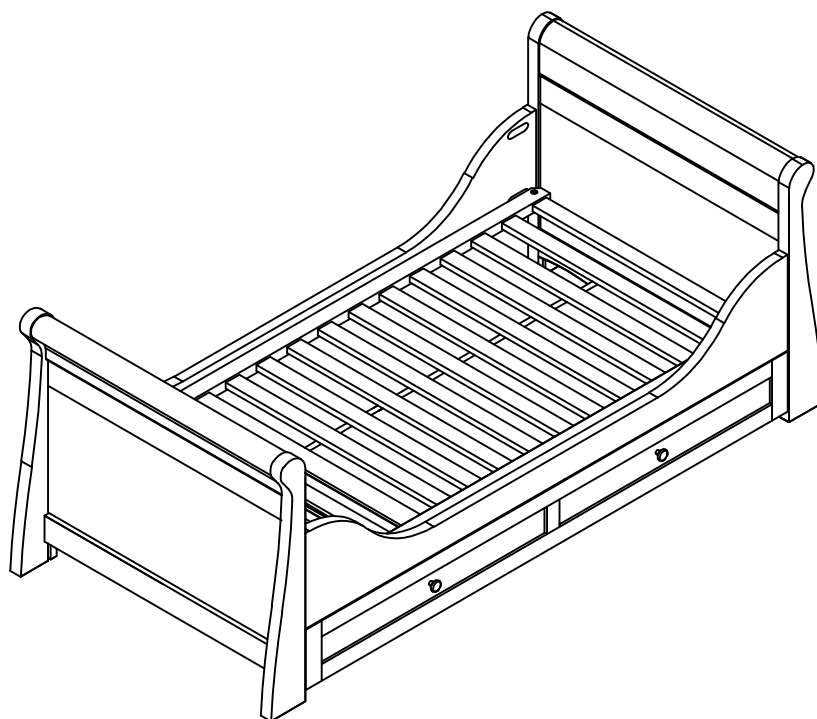
Step : 7



Step : 8



Step : 9





---

# Warnings & Instructions

## For Safe Use & Maintenance

### WARNING

Be aware of the risk of open fire and other sources of strong heat, such as electric bar gas fires, etc. in the near vicinity of the cot.

### WARNING

Do not use the cot/bed if any part is broken, torn or missing and use only spare parts approved by Silver Cross.

### WARNING

Do not leave anything in the cot or place the cot near to another product, which could provide a foothold or present a danger of suffocation or strangulation, e.g. strings, blinds, curtain cords, etc.

### WARNING

Do not use more than one mattress in the cot.

### WARNING

When converted into child's bed mode, do not place near heat sources, windows and other furniture.

The bed is designed to be dismantled for storage or transportation;

Any additional or replacement parts are obtained from the manufacturer or distributor.

All parts of the cot should be tightened correctly. Care should be taken to ensure that none of the fittings are loose or protruding as this could trap parts of the body or clothing, ribbons, drawstrings, necklaces etc., and pose a risk of strangulation.

The lowest position of the cot base is the safest position. You should use the cot in this position as soon as your baby is old enough to sit up.

The thickness of the mattress shall be such that the internal height (surface of the mattress to the upper edge of the cot frame) is at least 500 mm in the lowest position of the cot base and at least 200 mm in the highest position of the cot base.

The thickness of mattress shall not exceed 100 mm. We recommend the use of a 400 size mattress (1400 x 700mm).

The mattress length and width shall be such that the gap between the mattress and the sides and ends does not exceed 30 mm.

Your cot/bed may be cleaned with a damp cloth. Never use abrasives or bleach.

Thoroughly dry immediately after cleaning.

All assembly fittings should always be tightened properly and all fittings should be checked regularly and re-tightened as necessary.

To prevent injuries from falls, when a child is able to climb out of the cot, it should no longer be used for that child.

This cot bed is intended for children aged from birth to 4 years approximately. When converted into a COT bed it conforms to BS 8509:2008+A1:2011.

Children are likely to play, bounce, jump and climb on beds, therefore the child's bed should not be placed too close to other furniture or windows, blind cords, curtain pulls or other strings or cords, and should be placed either tight to any wall or have a gap of 300mm between the wall and the side of the bed.

The logo for Silver Cross, featuring the brand name in a stylized, cursive font with a registered trademark symbol.

THE BEST START IN LIFE

Silver Cross (UK) Ltd, Micklethorn, Broughton, Skipton, North Yorkshire, BD23 3JA

[silvercrossbaby.com](http://silvercrossbaby.com)

---